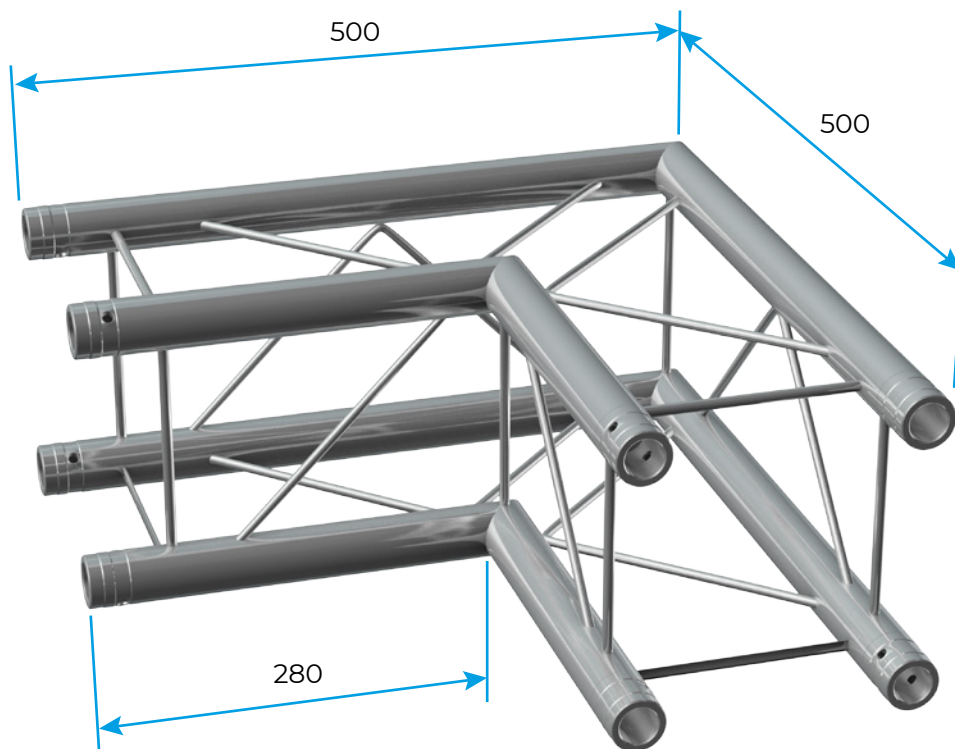
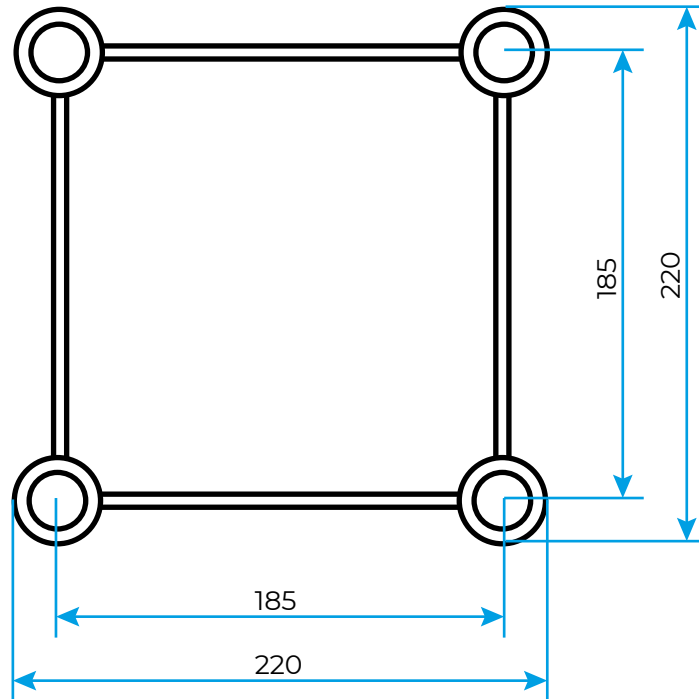


# beamZ E24deco-C21

PROFESSIONAL



Size in millimeters



182.568 **beamZ** Pro

## P24 Set of 4 Half Cone Connectors

0

Product colour : Aluminium  
Dimensions (L x W x H) : 140 x 75 x 40mm  
Weight (kg) : 0,25

- Set contains 4 half cone couplers, 4 conical spigots, 4 safety springs
- For BeamZ P24 Truss
- Coupling system for baseplates
- Fast and easy to assemble
- Lightweight
- Made in Europe



182.493  beamZ<sup>Pro</sup>

## UBP99 Universal Baseplate 99x33cm

The UBP universal bases plates can be used for triangular, square and rectangular BeamZ truss systems. Each plate has two reinforced grips, which makes them easier to handle.

Product colour : Black  
Dimensions (L x W x H) : 990 x 330 x 6mm  
Weight (kg) : 19,00

- Steel Base plate
- Fast and easy to assemble
- Black powder coating
- Suitable for P24, P30, P32 and P33
- Made in Europe
- Supplied without half-connectors