



KBS03 Keyboard Stand Double X

Ref. nr.: 180.208



**INSTRUCTION MANUAL
GEBRUIKSAANWIJZING
GEBRAUCHSANLEITUNG
MANUAL DE INSTRUCCIONES
MANUEL D'INSTRUCTIONS
INSTRUKCJA OBSŁUGI
NÁVOD K POUŽITÍ**

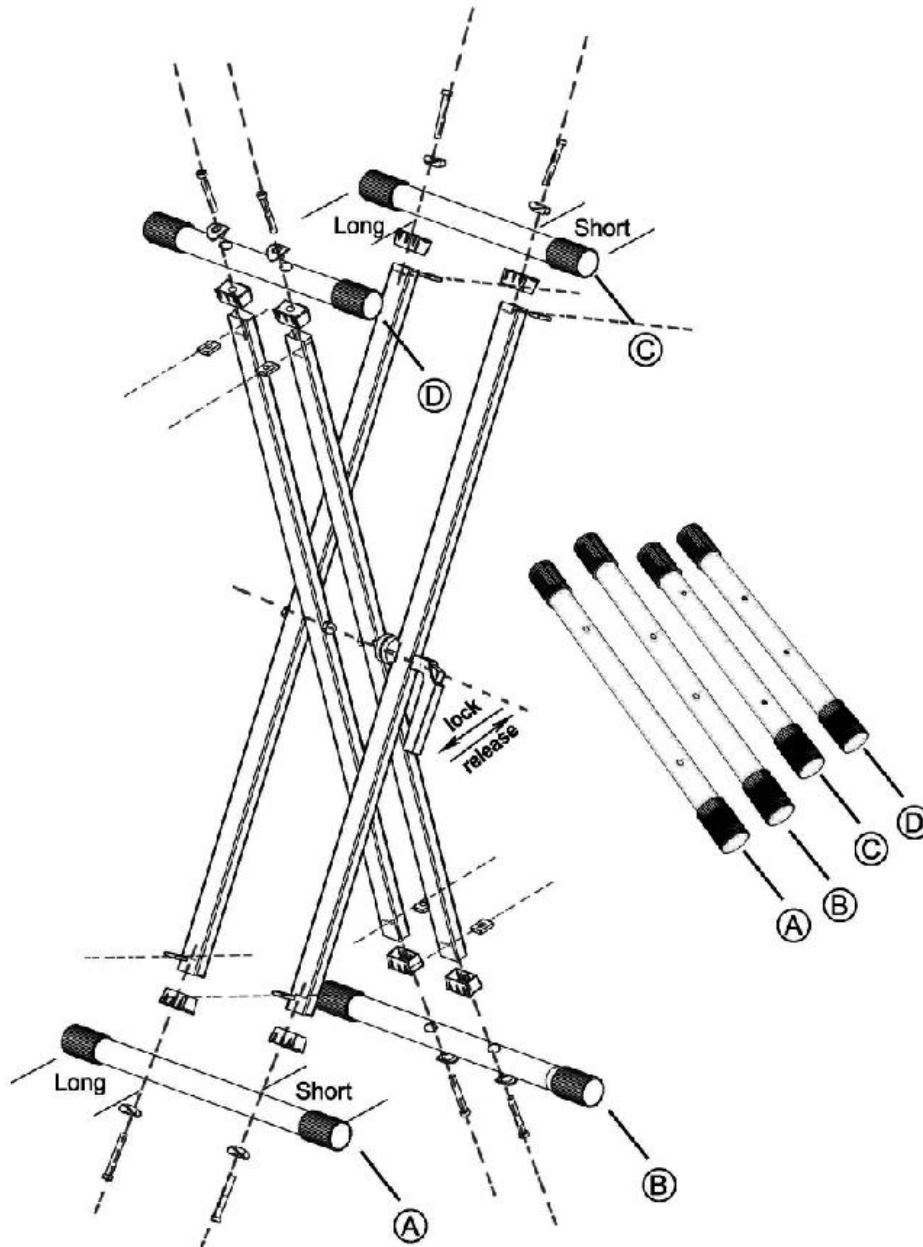
ENGLISH

Congratulations to the purchase of this Vonyx product. Please read this manual thoroughly prior to using the product in order to benefit fully from all features. Keep the manual for future reference.

UNPACKING INSTRUCTION

Carefully unpack the box upon receipt. Check the contents to ensure that all parts are present and have been received in good condition. Notify the shipper immediately and retain packaging material if any parts appear damaged from shipping or the package itself shows signs of mishandling. Save the package and all packaging materials. If the product must be returned, it is important that the product is returned in the original factory box and packaging.

STAND ASSEMBLY INSTRUCTIONS



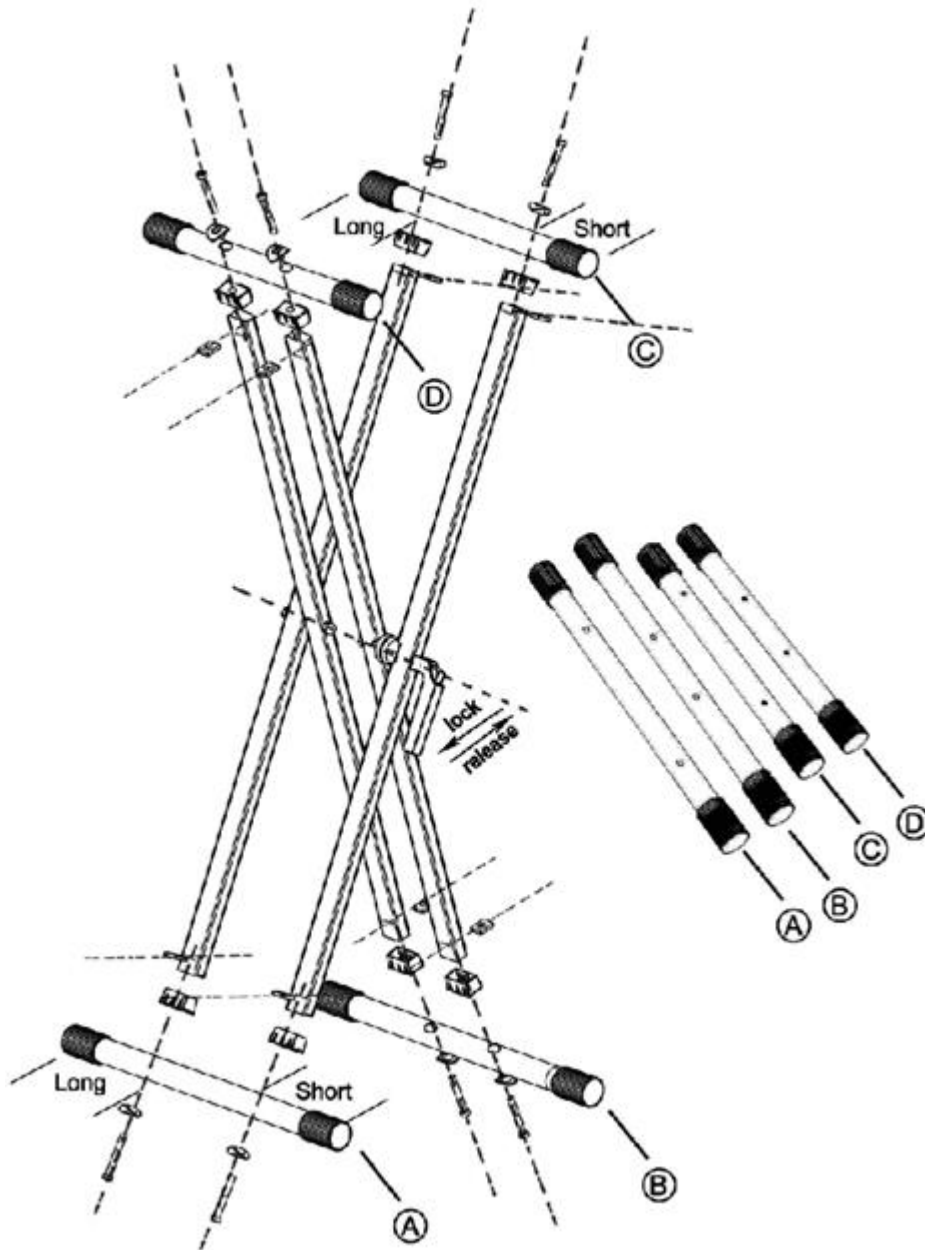
NEDERLANDS

Gefeliciteerd met de aankoop van dit Vonyx-product. Lees deze handleiding zorgvuldig door voordat u het product in gebruik neemt, zodat u optimaal gebruik kunt maken van alle functies. Bewaar de handleiding voor toekomstig gebruik.

UITPAKINSTRUCTIE

Pak de doos bij ontvangst voorzichtig uit. Controleer de inhoud om er zeker van te zijn dat alle onderdelen aanwezig zijn en in goede staat zijn ontvangen. Stel de verzender onmiddellijk op de hoogte en bewaar het verpakkingsmateriaal als er onderdelen beschadigd lijken te zijn door het transport of als het pakket zelf tekenen van verkeerd gebruik vertoont. Bewaar de verpakking en al het verpakkingsmateriaal. Als het product moet worden geretourneerd, is het belangrijk dat het product in de originele doos en verpakking wordt geretourneerd.

MONTAGE VAN DE STANDAARD



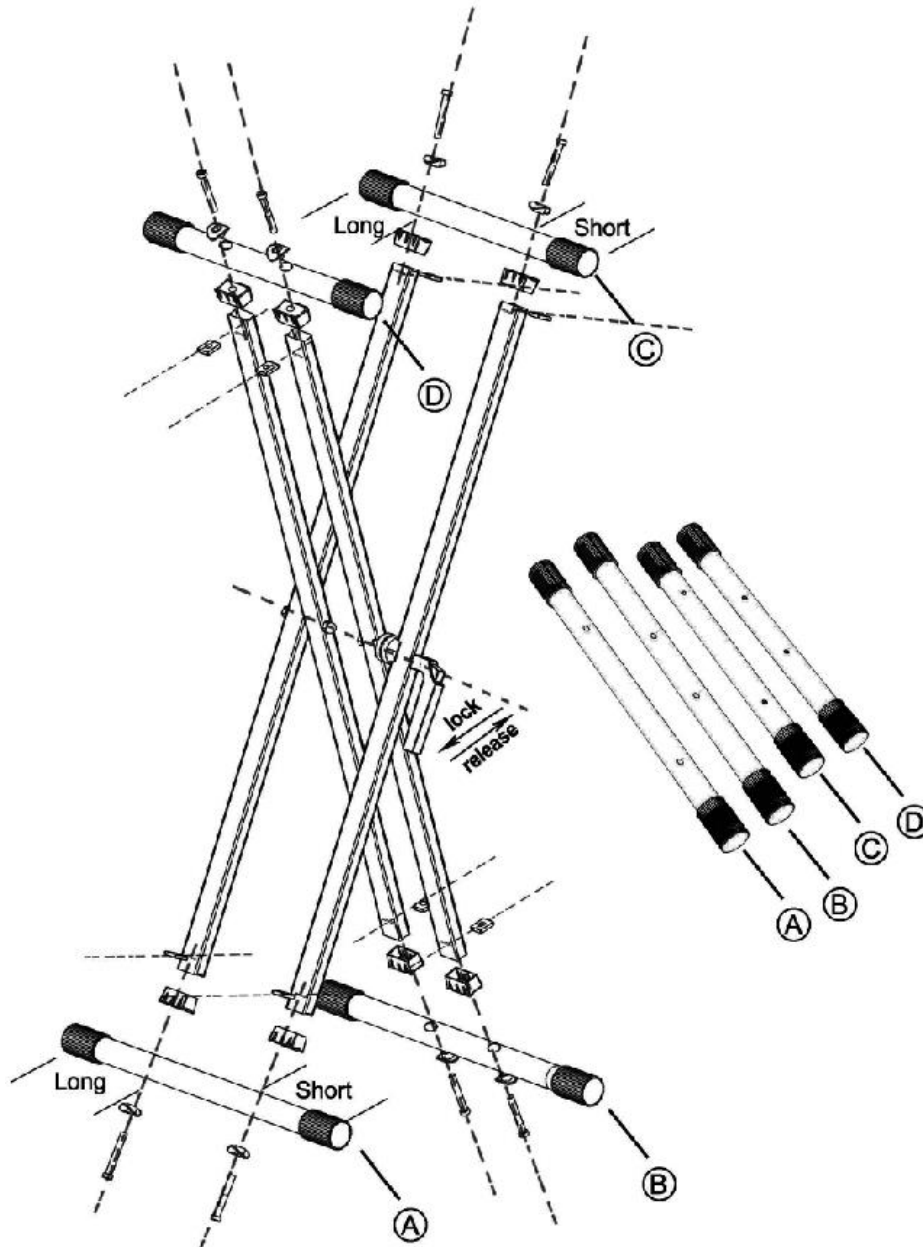
DEUTSCH

Herzlichen Glückwunsch zum Kauf dieses Vonyx-Produkts. Bitte lesen Sie dieses Handbuch sorgfältig durch, bevor Sie das Produkt benutzen, um alle Funktionen optimal nutzen zu können. Bewahren Sie das Handbuch für den späteren Gebrauch auf.

AUSPACKHINWEISE

Packen Sie den Karton nach Erhalt sorgfältig aus. Überprüfen Sie den Inhalt, um sicherzustellen, dass alle Teile vorhanden sind und in gutem Zustand erhalten wurden. Benachrichtigen Sie sofort den Spediteur und bewahren Sie das Verpackungsmaterial auf, wenn Teile während des Transports beschädigt wurden oder wenn die Verpackung selbst Anzeichen von Missbrauch aufweist. Bewahren Sie die Verpackung und das gesamte Verpackungsmaterial auf. Wenn das Produkt zurückgeschickt werden muss, ist es wichtig, dass das Produkt in der Originalverpackung zurückgeschickt wird.

MONTAGE DES STÄNDERS



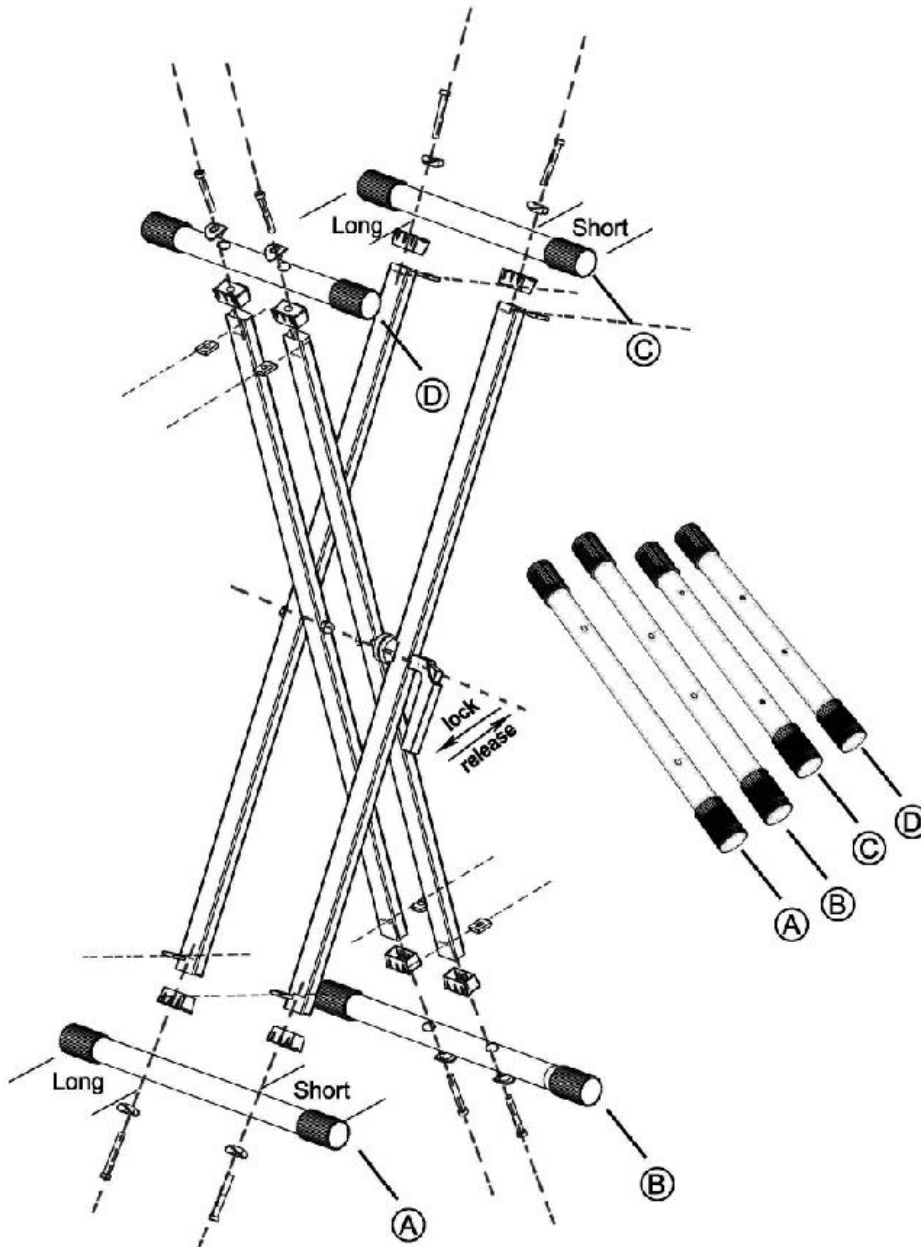
ESPAÑOL

Enhorabuena por la compra de este producto Vonyx. Por favor, lea este manual detenidamente antes de utilizar el producto con el fin de beneficiarse plenamente de todas las características. Guarde el manual para futuras consultas.

INSTRUCCIONES DE DESEMBALAJE

Desembale cuidadosamente la caja al recibirla. Compruebe el contenido para asegurarse de que todas las piezas están presentes y se han recibido en buenas condiciones. Notifique inmediatamente al transportista y conserve el material de embalaje si alguna pieza parece dañada por el transporte o si el propio paquete muestra signos de manipulación indebida. Guarde el paquete y todos los materiales de embalaje. Si debe devolver el producto, es importante que lo haga en la caja y el embalaje originales de fábrica.

INSTRUCCIONES DE MONTAJE DEL SOPORTE



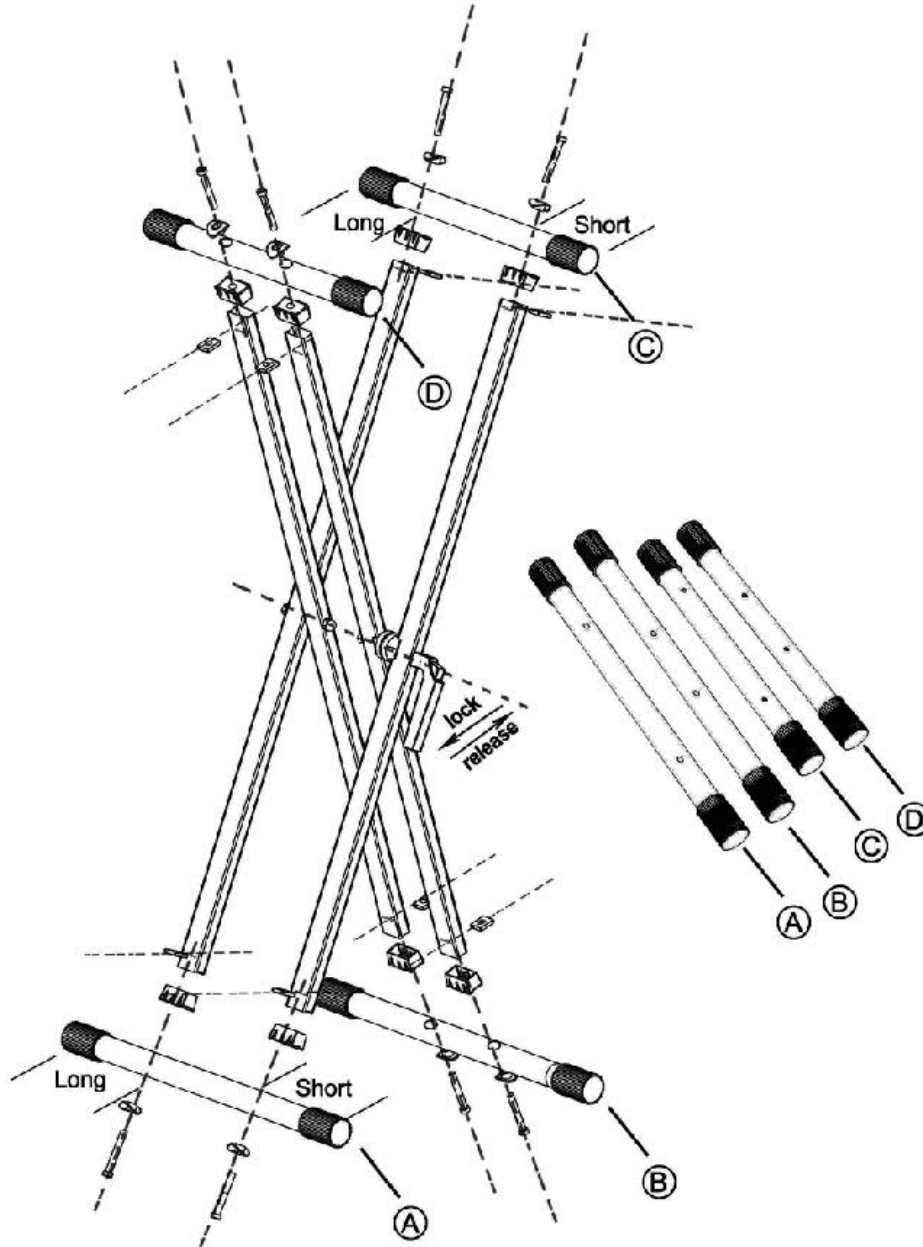
FRANÇAIS

Nous vous félicitons d'avoir acheté ce produit Vonyx. Veuillez lire attentivement ce manuel avant d'utiliser le produit afin de bénéficier pleinement de toutes ses fonctions. Conservez le manuel pour toute référence ultérieure.

INSTRUCTIONS DE DÉBALLAGE

Déballez soigneusement la boîte dès réception. Vérifiez le contenu pour vous assurer que toutes les pièces sont présentes et qu'elles ont été reçues en bon état. Informez immédiatement l'expéditeur et conservez les matériaux d'emballage si des pièces semblent endommagées par le transport ou si l'emballage lui-même présente des signes de mauvaise manipulation. Conservez l'emballage et tous les matériaux d'emballage. Si le produit doit être renvoyé, il est important qu'il le soit dans la boîte et l'emballage d'origine.

INSTRUCTIONS D'ASSEMBLAGE DU SUPPORT



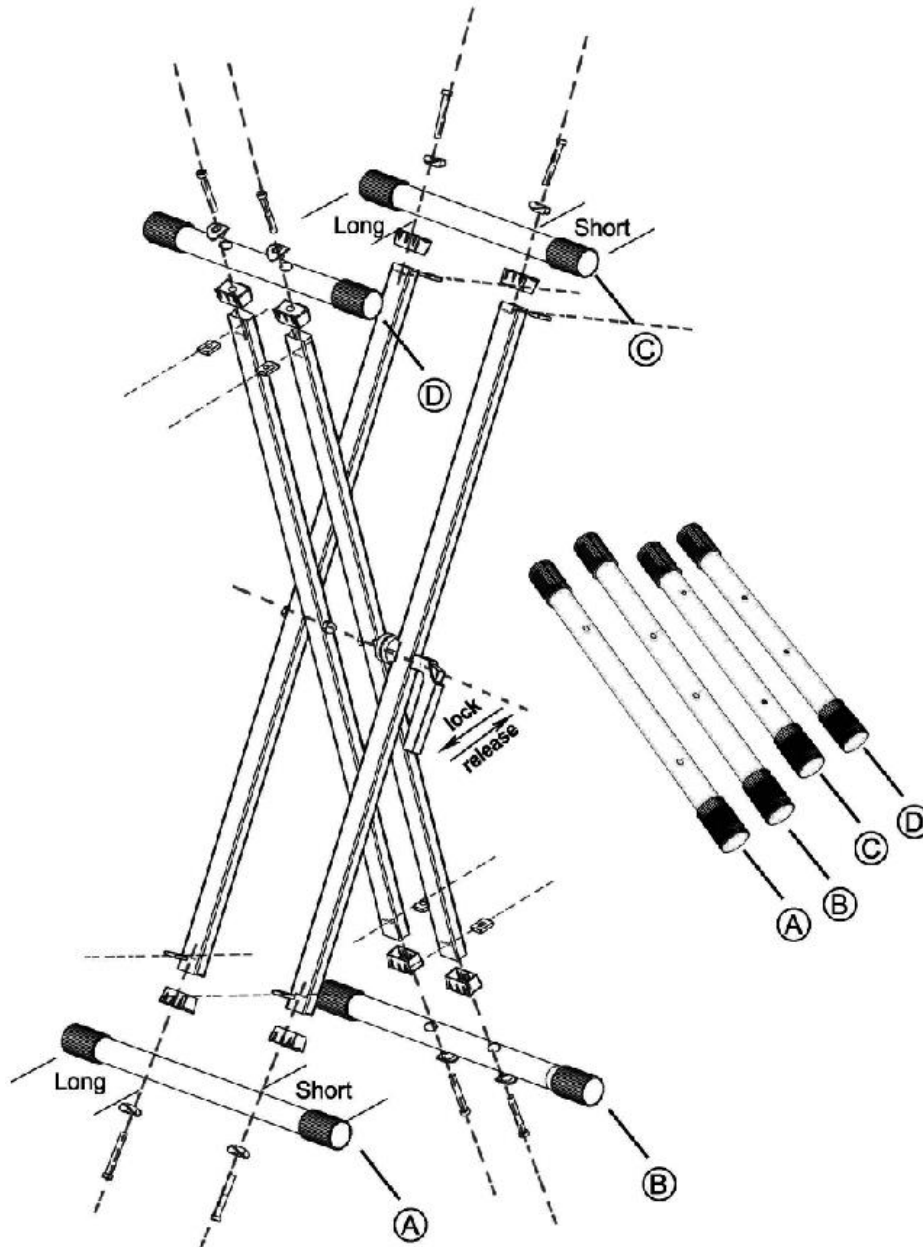
POLSKI

Gratulujemy zakupu tego produktu firmy Vonyx. Prosimy o dokładne zapoznanie się z niniejszą instrukcją przed rozpoczęciem korzystania z produktu, aby w pełni wykorzystać wszystkie jego funkcje. Instrukcję należy zachować na przyszłość.

INSTRUKCJA ROZPAKOWYWANIA

Ostrożnie rozpakuj pudełko po jego otrzymaniu. Sprawdź zawartość, aby upewnić się, że wszystkie części są obecne i zostały dostarczone w dobrym stanie. Niezwłocznie powiadom nadawcę i zachowaj materiały opakowaniowe, jeśli jakiegokolwiek części wyglądają na uszkodzone podczas transportu lub sama paczka wykazuje oznaki niewłaściwego obchodzenia się z nią. Należy zachować paczkę i wszystkie materiały opakowaniowe. Jeśli produkt musi zostać zwrócony, ważne jest, aby został zwrócony w oryginalnym fabrycznym pudełku i opakowaniu.

INSTRUKCJA MONTAŻU STOJAKA



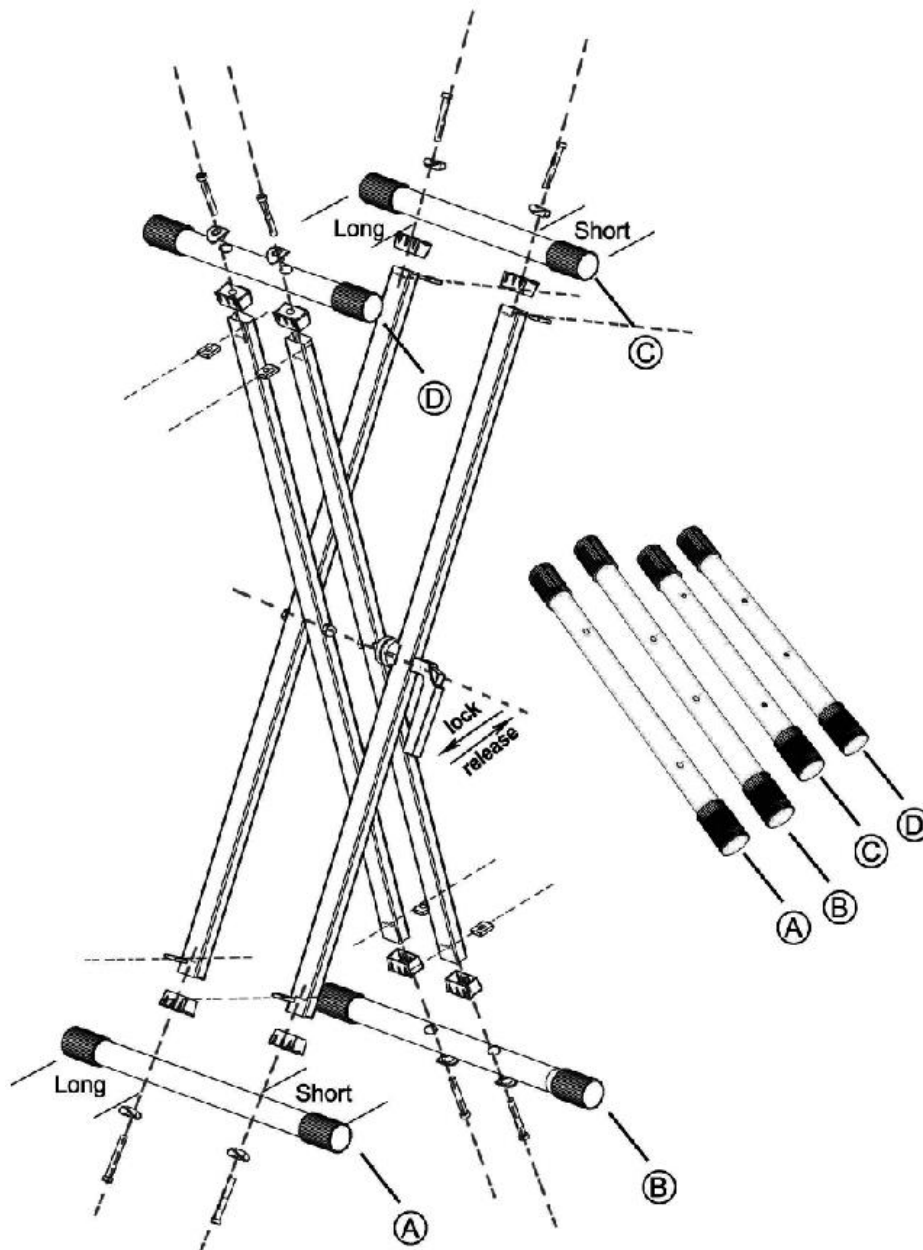
ČESKY

Gratulujeme k nákupu tohoto produktu Vonyx. Před použitím výrobku si prosím důkladně přečtete tento návod, abyste mohli plně využívat všechny jeho funkce. Příručku si uschovejte pro budoucí použití.

POKYNY K VYBALOVÁNÍ

Po obdržení krabici pečlivě vybalte. Zkontrolujte obsah a ujistěte se, že jsou všechny díly přítomny a že byly doručeny v dobrém stavu. Pokud se některé díly zdají být poškozené při přepravě nebo samotný obal vykazuje známky špatného zacházení, neprodleně to oznamte odesílateli a ponechte si obalový materiál. Balení a veškerý obalový materiál uschovejte. Pokud je nutné výrobek vrátit, je důležité, aby byl výrobek vrácen v původní krabici a obalu od výrobce.

NÁVOD K MONTÁŽI STOJANU



TECHNICAL SPECIFICATION / TECHNISCHE SPECIFICATIE / TECHNISCHE DATEN / ESPECIFICACIONES TÉCNICAS / SPÉCIFICATIONS TECHNIQUES / SPECYFIKACJA TECHNICZNA / TECHNICKÁ SPECIFIKACE

Material	: Metal
Dimensions: Folded	: 470 x 80 x 990mm
Dimensions: Min height	: 80mm
Dimensions: Max height	: 900mm
Max. weight load per piece	: 20kg
Weight	: 3,65kg

The specifications are typical. The actual values can slightly change from one unit to the other. Specifications can be changed without prior notice.

The products referred to in this manual conform to the European Community Directives to which they are subject.

Specifications and design are subject to change without prior notice.

www.tronios.com

Copyright © 2024 by Tronios The Netherlands



Rhapsody 54 Keyboard 54-keys

Ref. nr.: 130.033



**INSTRUCTION MANUAL
GEBRUIKSAANWIJZING
BEDIENUNGSANLEITUNG
MANUAL DE INSTRUCCIONES
MANUEL D'INSTRUCTIONS
INSTRUKCJA OBSŁUGI
NÁVOD K POUŽITÍ**

ENGLISH

Congratulations to the purchase of this Max Music product. Please read this manual thoroughly prior to using the product in order to benefit fully from all features.

Read the manual prior to using the product. Follow the instructions in order not to invalidate the warranty. Take all precautions to avoid fire and/or electrical shock. Repairs must only be carried out by a qualified technician in order to avoid electrical shock. Keep the manual for future reference.

- Prior to using the product, please ask advice from a specialist. When the unit is switched on for the first time, some smell may occur. This is normal and will disappear after a while.
- The unit contains voltage carrying parts. Therefore do NOT open the housing.
- Do not place metal objects or pour liquids into the product. This may cause electrical shock and malfunction.
- Do not place the product near heat sources such as radiators, etc. Do not place the unit on a vibrating surface. Do not cover the ventilation holes.
- The product is not suitable for continuous use.
- Be careful with the mains lead and do not damage it. A faulty or damaged mains lead can cause electrical shock and malfunction.
- When unplugging the product from a mains outlet, always pull the plug, never the lead.
- Do not plug or unplug the unit with wet hands.
- If the plug and/or the mains lead are damaged, they need to be replaced by a qualified technician.
- If the product is damaged to such an extent that internal parts are visible, do NOT plug the unit into a mains outlet and DO NOT switch the product on. Contact your dealer. Do NOT connect the product to a rheostat or dimmer.
- To avoid fire and shock hazard, do not expose the product to rain and moisture.
- All repairs should be carried out by a qualified technician only.
- Connect the product to an earthed mains outlet (220-240Vac/50Hz) protected by a 10-16A fuse.
- During a thunderstorm or if the product will not be used for a longer period of time, unplug it from the mains. The rule is: Unplug it from the mains when not in use.
- If the product has not been used for a longer period of time, condensation may occur. Let the unit reach room temperature before you switch it on. Never use the product in humid rooms or outdoors.
- During operation, the housing may become hot.
- To prevent accidents in companies, you must follow the applicable guide lines and follow the instructions.
- Do not repeatedly switch the product on and off. This shortens the life time.
- Keep the unit out of the reach of children. Do not leave the unit unattended.
- Do not use cleaning sprays to clean switches. The residues of these sprays cause deposits of dust and grease. In case of malfunction, always seek advice from a specialist.
- Only operate the product with clean hands.
- Do not force the controls.
- If the product has fallen, always have it checked by a qualified technician before you switch the product on again.
- Do not use chemicals to clean the unit. They damage the varnish. Only clean the product with a dry cloth.
- Keep away from electronic equipment that may cause interference.
- Only use original spares for repairs, otherwise serious damage and/or dangerous radiation may occur.
- Switch the product off prior to unplugging it from the mains and/or other equipment. Unplug all leads and cables prior to moving the product.
- Make sure that the mains lead cannot be damaged when people walk on it. Check the mains lead before every use for damages and faults!
- The mains voltage is 220-240Vac/50Hz. Check if power outlet match. If you travel, make sure that the mains voltage of the country is suitable for this product.
- Keep the original packing material so that you can transport the product in safe conditions



This mark attracts the attention of the user to high voltages that are present inside the housing and that are of sufficient magnitude to cause a shock hazard.



This mark attracts the attention of the user to important instructions that are contained in the manual and that he should read and adhere to.

The product has been certified CE. It is prohibited to make any changes to the product. They would invalidate the CE certificate and their guarantee!

NOTE: To make sure that the unit will function normally, it must be used in rooms with a temperature between 5°C/41°F and 35°C/95°F.



Electric products must not be put into household waste. Please bring them to a recycling centre. Ask your local authorities or your dealer about the way to proceed. The specifications are typical. The actual values can slightly change from one unit to the other. Specifications can be changed without prior notice.

Do not attempt to make any repairs yourself. This would invalid your warranty. Do not make any changes to the product. This would also invalid your warranty. The warranty is not applicable in case of accidents or damages caused by inappropriate use or disrespect of the warnings contained in this manual. Max cannot be held responsible for personal injuries caused by a disrespect of the safety recommendations and warnings. This is also applicable to all damages in whatever form.

UNPACKING INSTRUCTION

CAUTION! Carefully unpack the box upon receipt. Check the contents to ensure that all parts are present and have been received in good condition. Notify the shipper immediately and retain packaging material if any parts appear damaged from shipping or the package itself shows signs of mishandling. Save the package and all packaging materials. If the product must be returned, it is important that the product is returned in the original factory box and packaging. If the device has been exposed to drastic temperature fluctuation (e.g. after transportation), do not switch it on immediately. The arising condensation water might damage your device. Leave the device switched off until it has reached room temperature.

POWERSUPPLY


The label on the bottom of the product indicates to what type of power supply the product must be connected. Check that the mains voltage corresponds to this, all other voltages may cause irreparable damage. The product must also be directly connected to the mains, no dimmer or adjustable power supply.



Always connect the device to a protected circuit (circuit breaker or fuse). Make sure the device has an appropriate electrical ground to avoid the risk of electrocution or fire.

CONTROLS



- 1.**  Press to turn the keyboard on/off.
- 2. MASTER VOLUME**
Press the [MASTER VOL +/-] button to raise or lower the master volume.
- 3. ACCOMP VOLUME**
There are 8 levels style accompaniment volume, the system default is 06, by pressing "+/-" key accompaniment volume can be adjusted. Press both simultaneously to reset to default value.
- 4. TRANSPOSE**
Press the [TRANSPOSE +/-] button to transpose the tone of the notes. The transpose may be adjusted from "-6" to "+6". Pressing the two buttons simultaneously resets transpose to the default value.
- 5. TEMPO**
Press the [TEMPO +/-] button to adjust the tempo for style, metronome and demo. There are total of 210 segments. The adjusting range is 30 to 240. Pressing the two buttons simultaneously resets Tempo to the default value of 120.
- 6. SINGLE CHORD**
Under the state that the Style is activated, press the [SINGLE] button. After "C-1" shows on the display, you can play a single chord on the keys in the chord zone of the keyboard. Press the [SINGLE] button again or press the [CHORD CLEAR] button, "OFF" will appear on the display. The single chord function will be disenabled.
- 7. FINGER CHORD**
In this mode, you play the individual notes of the chord in your left hand. Under the state that the Style is activated, press the [FINGER CHORD] button. After the "C-2" shows on the display, you can play a fingered chord on the keys in the chord zone of the keyboard. Press the [FINGER CHORD] button again or press the [CHORD CLEAR] button, "OFF" will appear on the display. The fingered chord function will be disenabled.
- 8. START/STOP**
Press this button to start or stop playing selected program.
- 9. SYNC**
Press the [SYNC] button to open the sync accompaniment function. Press the 19 keys on the left sync starting style; if the chord function has been start, press this 19 key automatic chord will start simultaneously. If the style is playing, press this button to stop the style and open the sync accompaniment function. If you have to start sync function. Press this button to exit.
- 10. INTRO/ENDING**
Press the [INTRO/ENDING] button to start play the prelude. Turn to regular Rhythm to continue. During the play of the Rhythm press the [INTRO/ENDING] button to start playing a code for ending.
- 11. FILL IN**
Press the [FILL IN] button while style is playing. This function can insert a bridge to enhance performance, and then continue to the original tempo.

12. METRONOME

There are 4 kinds of metronomes stored on the keyboard: 1/4 beat, 2/4 beat, 3/4 beat and 4/4 beat. Press the **[METRONOME]** button once to set the rhythm at 1/4 beat, twice for 2/4 beat, etc. press for fifth time to cancel function.

13. PANEL PERCUSSION

Press one of the Percussion buttons. There are 8 kinds of percussion available for this keyboard.

- Wood block L
- Hand Clap
- Hi-Hat Open
- Hi-Hat Closed
- Snare L
- Bongo L
- Bass Drum H Soft
- Bass Drum L

14. VOICE

This keyboard provides 300 kinds of voices for your selection. (Appendix I) Press the **[VOICE]** button to select a voice by pressing the **[0-9]** number or **[+/-]** buttons. Refer to the appendix for the list of voices.

15. STYLE

This keyboard provides 300 Styles for your selection. (Appendix II) Press the **[STYLE]** button to select a style by pressing **[0-9]** number or **[+/-]** buttons. Refer to the appendix for the list of Styles. Press the numbers within the limit, otherwise the input is ineffective.

16. SONG

Press the **[SONG]** button to enter the song mode. Then press the number buttons to select the song that is your favourite. Wait for a second and then press the **[DEMO]** button to start playing the song.

17. RECORD

Press the **[RECORD]** button and you can record the music you play.

18. PLAY

Press the **[PLAY]** button to playback recorded notes or rhythms.

19. PROGRAM

Press the **[PROGRAM]** button to enter the Style programming mode.

20. DEMO

Totally 50 Demos, please see appendix III for full details.

Press the **[DEMO]** button, it will play songs in continuous playback mode and starts from song NO. "00" to "49" or pressing the buttons **[+/-]** to choose the right numbers of the songs you need. If you want to stop, press the **[DEMO]** button again, or press the **[START/STOP]** button.

21. NUMPAD AND [- / +]

Numeric keys to enter an accurate value.

22. SUSTAIN

Press **[SUSTAIN]** and the sustain effect will be activated. Press this button again and the sustain effect will be disenabled.

23. VIBRATO

Press the **[VIBRATO]** button to have a vibrating sound. Press the **[VIBRATO]** button again and the vibrating effect will be disenabled.

24. KEYBOARD SPLIT

For normal state, press the **[KEYBOARD SPLIT]** button to enter the double keyboard mode, began to separate into two area. 24 keys on the left of the keyboard are the preset voice and will split with the remaining keyboard.

Press the **[KEYBOARD SPLIT]** button again to disenable this function.

25. TEACHING A/B

Press the **[TEACHING A/B]** button to enter the teaching function.

26. SPEAKERS

Loudspeakers to reproduce the sound of the music played. sound level is determined on the basis of the volume setting.

CONNECTIONS

27. MICROPHONE INPUT

Connect a microphone to the MIC port to sing while playing the keyboard.

28. HEADPHONES/OUTPUT

When connecting headphones to the PHONES/OUTPUT port, the loudspeaker will be disenabled automatically. You can perform without disturbing others and other disturbing you.

29. DC INPUT

Socket for plugging in the supplied 9V adapter.



BEFORE YOU START

POWERSUPPLY:

Using AC-DC adapter:

- Use the special power adapter that is equipped with this electronic keyboard or a power adaptor with DC 9V out voltage 500mA. Insert the DC plug or power adaptor into the DC 9V power jack in the rear panel of the electronic keyboard, insert the other end into Main socket, turn on power switch and start performance.

Using batteries (not included):

- Open the battery compartment cover located on the bottom panel of the Electronic keyboard. Insert 6 pcs AA batteries, being carefully to follow the polarity marking on the cabinet. Replace the compartment cover, making sure that it locks firmly in place
- Place the music stand in the keyboard slot.

RECORDING

- Press the **[RECORD]** button to enter the recording mode. Press any key to start recording. The maximum record tone numbers is 48. When the display shows "Full" it will not be able to continue record the next note.
- Press the **[PLAY]** button to play the recorded music. The display will show "Ply". Press record again to exit recording and start a new record.
- Press the **[PROG]** button to enable the rhythm programming function, "Prg" will show on the display and the keyboard percussion function will be activated. 32 Percussions can be programmed at maximum, after that "FUL" will appear on the display and programming will stop automatically. Press the **[PLAY]** button to playback the programming rhythm. Press the **[START/STOP]** button or press the **[PROG]** button again to disenable the programming function. All recorded rhythms will be removed.

TEACHING FUNCTION

The button **[SONG]** can help to enter the mode of teaching and selection of demo easily.

- Press the **[SONG]** button. Then press the number to select the song which you want to learn. Wait for a second, then press the button **[TEACHING A]** or the **[TEACHING B]** button to start your learning.
- **Teaching A:** learning to play a record correct or not, will send out the right sound, and continue to play the song.
- **Teaching B:** follow the display according tot the correct notes, play to automatically enter the next note.

APPENDIX I VOICE

0 Acoustic Grand Piano	75 Pan Flute	150 Magic Electronic	225 Baritone Sax ensemble
1 Bright Acoustic Piano	76 Bottle Blow	151 Bright violin	226 Crystal Sax
2 Electric Grand Piano	77 Shakuhachi	152 Atonic Violin	227 Soft Baritone Sax
3 Honky-tonk Piano	78 Whistle	153 Heavy 151 Bright Violin	228 Synth Baritone Sax
4 Rhodes Piano	79 Ocarina	154 Synth Clarinet	229 Heavy metal Sax
5 Chorused Piano	80 Lead 1 (square)	155 Interactive Lead	230 Church Oboe
6 Harpsichord	81 Lead 2 (sawtooth)	156 For the keyboard	231 Oboe ensemble
7 Clavichord	82 Lead 3 (caliope lead)	157 Bagpipes	232 Bass Oboe
8 Celesta	83 Lead 4 (chiff lead)	158 Suona	233 Bright Oboe
9 Glockenspiel	84 Lead 5 (charang)	159 Pipa	234 distortio oboe
10 Music man	85 Lead 6 (voice)	160 Church Piano	235 English Horn ensemble
11 Vibraphone	86 Lead 7 (fifths)	161 Church electric Piano	236 Pizzicato English Horn
12 Marimba	87 Lead 8 (bass+lead)	162 Synth Piano	237 Diplophonia English Horn
13 Xylophone	88 Pad 1 (new age)	163 Baritone Piano	238 Bright English Horn
14 Tubular Bells	89 Pad 2 (warm)	164 Piano PAD	239 Synth English Horn
15 Dulcimer	90 Pad 3 (polysynth)	165 String Piano	240 Psychedelic Synth Lead
16 Hammond Organ	91 Pad 4 (choir)	166 Metal Piano	241 Vibraphone Synth Lead
17 Percussive Organ	92 Pad 5 (bowed)	167 Light rhythm Piano	242 Marimba Synth Lead
18 Rock Organ	93 Pad 6 (metallic)	168 electric Piano Pad	243 Metal FX
19 Church Organ	94 Pad 7 (halo)	169 Classical piano	244 Electronic FX
20 Reed Organ	95 Pad 8 (sweep)	170 Guitar organ	245 Electronic String Ensemble
21 Accordion	96 FX 1 (rain)	171 An electric guitar	246 Wind FX
22 Harmonica	97 FX 2 (soundtrack)	172 synthesis Nylon Guitar	247 Clarinet FX
23 Tango Accordion	98 FX 3 (crystal)	173 Synthetic electronic guitar	248 Organ FX
24 Acoustic Guitar (nylon)	99 FX 4 (atmosphere)	174 Bright clean Guitar	249 Crystal FX
25 Acoustic Guitar (steel)	100 FX 5 (brightness)	175 Orchestra Guitar	250 Synth Shamisen
26 Electric Guitar (jazz)	101 FX 6 (goblins)	176 Psychedelic Guitar	251 Electronic Shamisen
27 Electric Guitar (clean)	102 FX 7 (echoes)	177 Bright Organ	252 Bright Sitar
28 Electric Guitar (muted)	103 FX 8 (sci-fi)	178 Pick Organ	253 Whistle Accord
29 Overdriven Guitar	104 Sitar	179 Synth Accordion	254 rhythm Nation
30 Distortion Guitar	105 Banjo	180 Bright Violin	255 Bright Koto
31 Guitar Harmonics	106 Shamisen	181 Stringed Violin	256 Koto Lead
32 Acoustic Bass	107 Koto	182 Trill Violin	257 Diplophonia Koto
33 Electric Bass(finger)	108 Kalimba	183 Electronic Violin	258 Baritone Koto
34 Electric Bass (pick)	109 Bagpipe	184 Large Violin	259 Synth Koto
35 Fretless Bass	110 Fiddle	185 rhythm Orchestra	260 Environmental Lead
36 Slap Bass 1	111 Shanai	186 Pizzicato Violin	261 Metal Lead
37 Slap Bass 2	112 Tinkle Bell	187 Pizzicato Ensemble 1	262 Orchestra Lead
38 Synth Bass 1	113 Agogo	188 Pizzicato Ensemble 2	263 Glockenspiel Lead
39 Synth Bass 2	114 Steel Drums	189 Percussion Band	264 Bass Lead
40 Violin	115 Woodblock	190 Baritone Synth Contrabass	265 Fifths Lead
41 Viola	116 Taiko Drum	191 Bass Flute	266 Wind Lead
42 Cello	117 Melodic Tom	192 Distortion Contrabass	267 Atmosphere Lead
43 Contra Bass	118 Synth Drum	193 Contrabass Lead	268 Sharp Lead
44 Tremolo Strings	119 Reverse Cymbal	194 Violin Lead	269 Bright Lead
45 Pizzicato Strings	120 Guitar Fret Noise	195 Cello Lead	270 East Nation Pad
46 Orchestral Harp	121 Breath Noise	196 Pizzicato Rhythm	271 Atmosphere Pad
47 Timpani	122 Seashore	197 High Harp	272 Electric bass Pad
48 String Ensemble 1	123 Bird Tweet	198 Harp ensemble	273 electric Piano Pad
49 String Ensemble 2	124 Telephone Ring	199 Synth Harp	274 Clean Guitar Pad
50 Synth Strings 1	125 Helicopter	200 Baritone Trumpet	275 Western Pad
51 Synth Strings 2	126 Applause	201 Trumpet ensemble	276 Sci-fi Pad
52 Choir Aahs	127 Gunshot	202 Rhythm Trumpet	277 Metal Sci-fi Pad
53 Voice Oohs	128 Percussion	203 High Trumpet	278 Clarinet Pad
54 Synth Voice	129 Rhythm electric Piano	204 Synth Trumpet	279 Electronic dance Pad
55 Orchestra Hit	130 Baritone Xylophone	205 Baritone Trombone	280 Double Kalimba
56 Trumpet	131 Clean Piano	206 Trombone ensemble	281 Bright Kalimba
57 Trombone	132 Bright Dulcimer	207 Rhythm Trombone	282 Crystal Kalimba
58 Tuba	133 Rhythm Grand Piano	208 High Trombone	283 Synth Kalimba
59 Muted Trumpet	134 Traditional Piano	209 Baritone Trombone	284 Electronic Bagpipe
60 French Horn	135 Aluminium jean	210 Synth Trombone	285 Wind Bagpipe
61 Brass Section	136 Rock Grand Piano	211 Violin French Horn	286 High Bagpipe
62 Synth Brass 1	137 Electronic organ	212 French Horn ensemble	287 Bright Bagpipe
63 Synth Brass 2	138 Psychedelic electronic	213 Electronic French Horn	288 Orchestra Bagpipe
64 Soprano Sax	139 Water jean	214 Synth French Horn	289 Baritone Bagpipe
65 Alto Sax	140 Bright Guitar	215 Psychedelic Synth Brass	290 Environmental Shanai
66 Tenor Sax	141 Orchestra piccolo	216 Distortion Synth Brass	291 Baritone Shanai
67 Baritone Sax	142 Heavy metal guitar	217 Vibraphone Synth Brass	292 Tenor Shanai
68 Oboe	143 Crystal guitar	218 Rock Synth Brass	293 high Shanai
69 English Horn	144 Queer electric Piano	219 Synth Muted Trumpet	294 Synth Shanai
70 Bassoon	145 Bright bass	220 Soprano Sax ensemble	295 Bright Steel Drums
71 Clarinet	146 Rock Electric Bass	221 rhythm Soprano Sax	296 Steel Drums Lead
72 Piccolo	147 Rhythm Electric Bass	222 Synth Soprano Sax	297 Lyric Steel Drums
73 Flute	148 Psychedelic Bass	223 National Sax	298 Orchestra Steel Drums
74 Recorder	149 Heavy Metal Bass	224 Metal Sax	299 Synth Steel Drums

APPENDIX II (STYLE)

00 Beat 1	75 Mambo	150 Heavy Metal Rock 2	225 Progressive House
01 Beat 2	76 Samba	151 70' Rock	226 Epic House
02 Beat 3	77 Reggae	152 80' Rock	227 Trible House
03 Beat 4	78 Rhumba	153 Middle Eastern Rock	228 Big Beat
04 Beat 5	79 Tango	154 Traditional Rock	229 Down Tempo
05 Beat 6	80 Habanera	155 Rock Disco	230 Electro 1
06 Beat 7	81 March 1	156 Modern Dance 1	231 Electro 2
07 Beat 8	82 March 2	157 Modern Dance 2	232 Electro 3
08 Beat 9	83 Polka 1	158 Modern Dance 3	233 House Dance
09 Beat 10	84 Polka 2	159 Modern Dance 4	234 Idm
10 Beat 11	85 Polka 3	160 Modern Dance 5	235 Jungle Drum
11 Beat 12	86 Vallenato	161 New Century 1	236 Techno
12 Beat 13	87 Waltz 1	162 New Century 2	237 Trance
13 Beat 14	88 Waltz 2	163 New Century 3	238 Trip-Hop
14 Rock 1	89 Waltz 3	164 Rock Dance 1	239 Experimental Electronic
15 Rock 2	90 Pop	165 Rock Dance 2	240 Western Swing
16 Cntr Rock	91 Love Ballad	166 Psyche Delic 1	241 Alt-Country
17 Country Rock	92 Easy Beat	167 Psyche Delic 2	242 Americana
18 Dance Rock	93 Soft Beat	168 Soft Rock	243 Charanga
19 Easy Rock	94 Shuffle	169 Post Rock	244 Tropical
20 Glam Rock	95 Cobmo	170 Goth Psychedelic	245 Ambient
21 Hard Rock 1	96 Shuffle 1	171 Soul Psychedelic 1	246 Punk Metal
22 Hard Rock 2	97 Shuffle 2	172 Soul Psychedelic 2	247 Experimental Rock
23 Pop_Rock	98 Slow Folk	173 Soul Psychedelic 3	248 Noise-Rock
24 Rock+Roll	99 Step	174 Soul Psychedelic 4	249 Celtic New Age
25 Rock Beat	100 Euro Pop	175 Psychedelic Swing	250 Ethnic Fusion
26 Rock Folk	101 Bachata Beat 1	176 Country Blues	251 Techno-Tribal
27 Rocky Pop	102 Bachata Beat 2	177 Electric Blues	252 Experimental
28 Dance 1	103 Africa Bossanova	178 Folk Blues	253 Minimalism
29 Dance 2	104 China Dance	179 Jazz Blues	254 Traditional Pop
30 Dance 3	105 Pop Beat	180 Jump Blues	255 Noise
31 Dance 4	106 Vienna Waltz	181 New Orleans Blues	256 Classical Beat 1
32 Dance 5	107 Africa Beat	182 New York Blues	257 Classical Beat2
33 Dance 6	108 Africa Mambo	183 Piano Blues	258 Classical Beat 3
34 Dance 7	109 Euro March 1	184 Soul Blues	259 Classical Beat 4
35 Dance 8	110 Euro March 2	185 Urban Blues	260 Classical Beat 5
36 Dance 9	111 Euro Merengue 1	186 Afro Beat	261 Classical Beat 6
37 Dance 10	112 Euro Merengue 2	187 Afro Pop	262 Classical Beat 7
38 Soul Funk	113 Mideast Dance	188 Celtic Pop	263 Classical Beat 8
39 Euro Soul	114 Africa Dance	189 Hawaiiian Pop	264 Classical Beat 9
40 Funky Soul	115 Pop Samba 1	190 Indian Pop	265 Classical Beat 10
41 Funky Soul 2	116 Pop Samba 2	191 European Traditions	266 Classical Beat 11
42 Funky Soul 3	117 Africa Reggae	192 World Fusion	267 Classical Beat 12
43 Funky Soul 4	118 Euro Rhumba 1	193 DouJin	268 Classical Beat 13
44 Funky Soul 5	119 Euro Rhumba 2	194 Shima Uta	269 Classical Beat 14
45 Slow Soul 1	120 India Samba 1	195 Enka	270 Contemporary R&B 1
46 Slow Soul 2	121 India Samba 2	196 Japanese Folk Music	271 Contemporary R&B 2
47 Soul	122 Jazz Soul	197 Middle East Pop	272 Contemporary R&B
48 Big Band 1	123 Country Swing 1	198 Pop Baiao	273 Contemporary R&B4
49 Big Band 2	124 Country Swing 2	199 Pop Bequine	274 Contemporary R&B5
50 Blue Grass	125 Country Swing 3	200 New Age Latin	275 Deep Funk
51 Jazz Samba	126 Pop Waltz	201 New Bossanova	276 Doo Wop
52 Jazz Waltz	127 Pop Classic	202 Rock Lambada	277 Left-Field Hip-Hop
53 Jazz 1	128 Oriental Beat 1	203 Blues Mambo	278 Motown
54 Jazz 2	129 Oriental Beat 2	204 Pop Samba	279 Neo-Soul 1
55 Swing 1	130 Oriental Beat 3	205 Reggae Ballad	280 Neo-Soul 2
56 Swing 2	131 Oriental Beat 4	206 Pop Rhumba	281 Neo-Soul 3
57 Swing 3	132 Oriental Beat 5	207 Rock Tango	282 New Jack Swing
58 Country 1	133 Oriental Beat 6	208 Brit Pop 1	283 Urban
59 Country 2	134 Oriental Beat 7	209 Brit Pop.2	284 Contemporary Instrumental
60 Country 3	135 Oriental Beat 8	210 Brit Pop 3	285 Meditation
61 Country 4	136 Oriental Beat 9	211 Brit Pop 4	286 Neo-Classical 1
62 Country Waltz 1	137 Oriental Beat 10	212 Trip Hop 1	287 Neo-Classical 2
63 Country Waltz 2	138 Oriental Beat 11	213 Trip Hop 2	288 Neo-Classical 3
64 Country 5	139 Oriental Beat 12	214 Chamber Pop	289 New Acoustic
65 Country 6	140 Oriental Beat 13	215 Brit Pop Waltz 1	290 Solo Instrumental
66 Country 7	141 Oriental Beat 14	216 Brit Pop Waltz 2	291 Space
67 Slow Country 1	142 Jazz Rock 1	217 Brit Pop Waltz 3	292 Spiritual
68 Slow Country 2	143 Jazz Rock 2	218 Classical Ballad 1	293 Rock New Age
69 Soul Country	144 Soft Rock	219 Classical Ballad 2	294 Ragtime
70 Baiao	145 Classic Rock	220 Light Ballad	295 Bebop or Bop
71 Bequine	146 Folk Rock 1	221 Rhythm Ballad	296 Cool Jazz
72 Bolero	147 Folk Rock 2	222 Hard House	297 Free Jazz
73 Bossanova	148 Waltz Rock	223 Deep House	298 Jazz-Rock & Fusion
74 Lambada	149 Heavy Metal Rock 1	224 Acid House	299 Jazz Funk

APPENDIX III DEMO SONGS

No.	The name of song	No.	The name of song	No.	The name of song
00	London Bridge Is Falling Down	17	Hand in hand	34	Prom queen
01	Fantasy	18	Two hundred and fourteen	35	Ni Mengruoze
02	The twist	19	Fkey	36	Nen blauen Donau
03	Butter fly	20	Mozart Symphonies	37	Hawthorn
04	Paddle a canoe	21	The girl's Prayer	38	Mary had a little lamb
05	Country songs	22	Nocturne	39	Yellow ribbon
06	Rhythm of the rain	23	Another day in paradise	40	Toreador Song
07	Serenade	24	Red River Valley	41	Radetzky march
08	Bluegrass Music	25	Green sleeves	42	Radiant
09	Music moment	26	Mozart Piano Sonatas	43	Long Long Ago
10	Merry Christmas	27	Orange and lemon	44	Katyusha
11	American Patrol	28	Hallelujah	45	Susanna
12	Flower	29	Minuet	46	Little star
13	Pour Elise	30	Handshake	47	I Don't Care
14	Direct seeding	31	Rain	48	Minuet in G major
15	Turkey March	32	Pamela	49	Carman Overture
16	A cradle	33	Bnnie Edgar		

NEDERLANDS

Hartelijk dank voor de aanschaf van dit MAX Music product. Neemt u a.u.b. een paar momenten de tijd om deze handleiding zorgvuldig te lezen, aangezien wij graag willen dat u onze producten snel en volledig gebruikt.

Lees deze handleiding eerst door alvorens het product te gebruiken. Volg de instructies op anders zou de garantie wel eens kunnen vervallen. Neem ook altijd alle veiligheidsmaatregelen om brand en/of een elektrische schok te voorkomen. Tevens is het ook raadzaam om reparaties / modificaties e.d. over te laten aan gekwalificeerd personeel om een elektrische schok te voorkomen. Bewaar deze handleiding ook voor toekomstig gebruik.

- Bewaar de verpakking zodat u indien het apparaat defect is, dit in de originele verpakking kunt opsturen om beschadigingen te voorkomen.
- Voordat het apparaat in werking wordt gesteld, altijd eerst een deskundige raadplegen. Bij het voor de eerste keer inschakelen kan een bepaalde reuk optreden. Dit is normaal en verdwijnt na een poos.
- In het apparaat bevinden zich onder spanning staande onderdelen; open daarom **NOOIT** dit apparaat.
- Plaats geen metalen objecten en mors geen vloeistof in het effect. Dit kan leiden tot elektrische schokken of defecten.
- Toestel niet opstellen in de buurt van warmtebronnen zoals radiatoren etc. en niet op een vibrerende ondergrond plaatsen. Dek ventilatieopeningen nooit af.
- Het apparaat is niet geschikt voor continu gebruik.
- Wees voorzichtig met het netsnoer en beschadig deze niet. Als het snoer kapot of beschadigd is, kan dit leiden tot elektrische schokken of defecten.
- Als u de stekker uit het stopcontact neemt, trek dan niet aan het snoer, maar aan de stekker.
- Om brand of elektrische schok te voorkomen, dient u dit apparaat niet bloot te stellen aan regen of vocht.
- Verwijder of plaats een stekker nooit met natte handen resp. uit en in het stopcontact.
- Indien zowel de stekker en/of netsnoer als snoeringang in het apparaat beschadigd zijn dient dit door een vakman hersteld te worden.
- Indien het apparaat zo beschadigd is dat inwendige (onder)delen zichtbaar zijn mag de stekker **NOOIT** in het stopcontact worden geplaatst en het apparaat **NOOIT** worden ingeschakeld. Neem in dit geval contact op met de dealer.
- Reparatie aan het apparaat dient te geschieden door een vakman of een deskundige.
- Sluit het apparaat alleen aan op een 220-240VAC / 50Hz (geaard) stopcontact, verbonden met een 10-16A meterkastgroep.
- Bij onweer altijd de stekker uit het stopcontact halen, zo ook wanneer het apparaat voor een langere tijd niet gebruikt wordt. Stelregel: Bij geen gebruik stekker verwijderen.
- Als u het apparaat lang niet gebruikt heeft en het weer wil gebruiken kan er condens ontstaan; laat het apparaat eerst op kamertemperatuur komen alvorens het weer in werking te stellen.
- Apparaat nooit in vochtige ruimten en buiten gebruiken.
- Om ongevallen in bedrijven te voorkomen moet rekening worden gehouden met de daarvoor geldende richtlijnen en moeten de aanwijzingen/waarschuwingen worden gevolgd.
- Het apparaat buiten bereik van kinderen houden. Bovendien mag het apparaat nooit onbeheerd gelaten worden.
- Gebruik geen schoonmaakspray om de schakelaars te reinigen. Restanten van deze spray zorgen ervoor dat smeer en stof ophopen. Raadpleeg bij storing te allen tijde een deskundige.
- Gebruik geen overmatige kracht bij het bedienen van het apparaat.
- Dit apparaat kan magnetisch veld veroorzaken. Houd dit apparaat ten minste 60 cm afstand van de computer of tv.
- Bij een ongeval met dit product altijd eerst een deskundige raadplegen alvorens opnieuw te gebruiken.
- Tracht het apparaat niet schoon te maken met chemische oplossingen. Dit kan de lak beschadigen. Gebruik een droge doek om schoon te maken.
- Blijf uit de buurt van elektronische apparatuur die bromstoringen zouden kunnen veroorzaken.
- Bij reparatie dienen altijd originele onderdelen te worden gebruikt om onherstelbare beschadigingen en/of ontoelaatbare straling te voorkomen.
- Schakel eerst het toestel uit voordat u het netsnoer verwijdert. Verwijder netsnoer en aansluitsnoeren voordat u dit product gaat verplaatsen.
- Zorg ervoor dat het netsnoer niet beschadigd/defect kan raken wanneer mensen erover heen lopen. Het netsnoer vóór ieder gebruik controleren op breuken/defecten!
- In Nederland/België is de netspanning 220-240Vac/50Hz. Indien u reist (en u neemt het apparaat mee) informeer dan naar de netspanning in het land waar u verblijft.



Deze markering wordt weergegeven om u erop attent te maken dat een levensgevaarlijke spanning in het product aanwezig is en dat bij aanraking van deze delen een elektrische schok wordt verkregen.



Deze markering wordt weergegeven om u erop te wijzen dat de instructie zeer belangrijk is om te lezen en/of op te volgen.

OPMERKING: Om zeker te zijn van een correcte werking, dient u dit apparaat in een ruimte te gebruiken waar de temperatuur tussen de 5°C/41°F en 35°C/95°F ligt.



Raadpleeg eventueel www.wecycle.nl en/of www.vrom.nl v.w.b. het afdanken van elektronische apparaten in het kader van de WEEE-regeling. Vele artikelen kunnen worden gerecycled, gooi ze daarom niet bij het huisvuil maar lever ze in bij een gemeentelijk depot of uw dealer. Lever ook afgedankte batterijen in bij uw gemeentelijk depot of bij de dealer, zie www.stibat.nl

Do not attempt to make any repairs yourself. This would invalid your warranty. Do not make any changes to the product. This would also invalid your warranty. The warranty is not applicable in case of accidents or damages caused by inappropriate use or disrespect of the warnings contained in this manual. Max cannot be held responsible for personal injuries caused by a disrespect of the safety recommendations and warnings. This is also applicable to all damages in whatever form.

UITPAKKEN

LET OP! Pak de doos na ontvangst voorzichtig uit. Controleer de inhoud om ervoor te zorgen dat alle onderdelen aanwezig zijn en in goede staat zijn ontvangen. Bij transportschade of ontbreken van onderdelen onmiddellijk de verkopende partij inlichten. Bewaar de verpakking en het verpakkingsmateriaal. Indien het product moet worden teruggestuurd, is het belangrijk dat het product in originele verpakking wordt geretourneerd. Schakel het apparaat niet onmiddellijk in als het is blootgesteld aan drastische temperatuurverschillen (bv. na het transport). De ontstane condensatie kan het apparaat beschadigen. Zorg ervoor dat het apparaat op kamertemperatuur komt en steek vervolgens de stekker in het stopcontact.

AANSLUITSPANNING


Op het label aan de onderzijde van het product staat aangegeven op welke netspanning deze moet worden aangesloten. Controleer of de netspanning hiermee overeenkomt, bij alle andere netspanningen dan aangegeven kan het apparaat onherstelbaar worden beschadigd. Tevens moet het apparaat direct op de netspanning worden aangesloten en mag géén dimmer of regelbare voeding worden gebruikt.



Sluit het apparaat altijd aan op een beschermd circuit (aardlekschakelaar of zekering). Zorg ervoor dat het apparaat voldoende elektrisch is geaard om het risico op elektrocutie of brand te vermijden.

BEDIENING



-  Druk hierop om het keyboard aan of uit te zetten.
- 2. MASTER VOLUME**
Druk op de [MASTER VOL +/-] toetsen om het volume te verhogen of te verlagen.
- 3. ACCOMP VOLUME**
Er zijn 8 niveaus beschikbaar voor het begeleidingsvolume, de standaardinstelling van het systeem is "06". Door op de "+/-" toetsen te drukken, kan het begeleidingsvolume aangepast worden. Druk tegelijkertijd op beide toetsen om de standaardwaarde te herstellen.
- 4. TRANSPOSE**
Druk op de [TRANSPOSE +/-] toetsen om de toon van de noten te transponeren. De transpose kan worden ingesteld van "-6" tot "+6". Als u de twee toetsen tegelijkertijd indrukt, wordt de transpose teruggezet naar de standaardwaarde.
- 5. TEMPO**
Druk op de [TEMPO +/-] toetsen om het tempo voor stijl, metronoom en demo aan te passen. Er zijn in totaal 210 segmenten. Het instelbereik is 30 tot 240. Als u de twee toetsen tegelijkertijd indrukt, wordt Tempo teruggezet op de standaardwaarde van 120.
- 6. SINGLE CHORD**
Druk op de [SINGLE] toets als de stijl geactiveerd is. Nadat "C-1" op de display verschijnt, kunt u een enkel akkoord spelen op de toetsen in de akkoordzone van het keyboard. Druk nogmaals op de [SINGLE] toets of druk op de [CHORD CLEAR] toets, "OFF" verschijnt dan op de display. De single chord functie is nu uitgeschakeld.
- 7. FINGERED CHORD**
In deze modus speelt u de individuele noten van het akkoord met uw linkerhand. Druk op de [FINGER CHORD] toets bij de stijl die geactiveerd is. Nadat "C-2" op de display verschijnt, kunt u een akkoord spelen op de toetsen in de akkoordzone van het keyboard. Druk nogmaals op de [FINGER CHORD] toets of druk op de [CHORD CLEAR] toets, "OFF" verschijnt nu op het display. De Finger Chord functie is nu uitgeschakeld.
- 8. START/STOP**
Druk op deze toets om de weergave van het geselecteerde programma te starten of te stoppen.
- 9. SYNC**
Druk op de [SYNC] toets om de sync-begeleidingsfunctie te openen. Druk op de 19 toetsen links voor het starten van de stijl; als de akkoordfunctie is gestart, wordt door het indrukken van deze 19 toetsen tegelijkertijd het automatische akkoord gestart. Als deze stijl wordt afgespeeld, druk dan op deze toets om de stijl te stoppen en de sync-begeleidingsfunctie te openen. Druk nogmaals op deze knop om de functie te stoppen.

10. INTRO/EINDE

Druk op de **[INTRO/ENDING]** toets om het spelen van de prelude te starten. Ga naar het normale ritme om verder te gaan. Druk tijdens het spelen van het ritme op de **[INTRO/ENDING]** toets om het afspelen van een einde te starten.

11. FILL IN

Druk op de **[FILL-IN]** toets om een tussenspel toe te voegen aan het ritme. Na de opvulling wordt het gekozen begeleidingsritme verder gespeeld.

12. METRONOME

Er zijn 4 soorten metronomen opgeslagen op het keyboard: 1/4 maat, 2/4 maat, 3/4 maat en 4/4 maat. Druk eenmaal op de **[METRONOME]** toets om het ritme in te stellen op 1/4 tel, tweemaal voor 2/4 tel, enz.

13. KEYBOARD PERCUSSIONS

Druk op één van de percussietoetsen. Er zijn 8 soorten percussies beschikbaar:

- Wood block L
- Hand Clap
- Hi-Hat Open
- Hi-Hat Closed
- Snare L
- Bongo L
- Bass Drum H Soft
- Bass Drum L

14. VOICE

Het keyboard biedt 300 soorten voices waaruit u kunt kiezen. (Bijlage I) Druk op de **[VOICE]** toets om een voice te selecteren door op het **[0-9]** nummer of **[+/-]** te drukken. Raadpleeg de bijlage voor de lijst met voices. Druk op de nummers binnen de limiet, anders heeft de invoer geen effect.

15. STYLE

Dit toetsenbord biedt 300 stijlen waaruit u kunt kiezen. (Bijlage II) Druk op de **[STYLE]** toets om een stijl te selecteren door op het **[0-9]** nummer of **[+/-]** te drukken. Raadpleeg de bijlage voor de lijst met stijlen.

16. SONG

Druk op deze toets om de songfunctie te activeren. Druk vervolgens op de cijfertoetsen om het nummer van uw favoriete song te selecteren. Wacht even en druk dan op de **[DEMO]** toets om de song af te spelen.

17. RECORD

Druk op de **[RECORD]** toets en u kunt de muziek die u speelt opnemen.

18. PLAY

Druk op deze toets om opgenomen noten of ritmes af te spelen.

19. PROGRAM

Druk op deze toets om naar de programmeermodus van de stijl te gaan.

20. DEMO

Het keyboard beschikt in totaal over 50 demo's. (bijlage III)

Druk op de **[DEMO]** toets, er worden nummers afgespeeld in continue afspeelmodus startende vanaf nummer "00" tot nummer "49" of druk op de toetsen **[+ / -]** om de juiste nummers te kiezen. Als u wilt stoppen, drukt u opnieuw op de toets **[DEMO]** of de **[START/STOP]** toets.

21. NUMMERIEKE TOETSEN EN [+ / -]

Numerieke toetsen om een waarde in te voeren.

22. SUSTAIN

Druk op de **[SUSTAIN]** toets en het sustain effect wordt geactiveerd. Druk nogmaals op deze toets en het sustain effect wordt uitgeschakeld.

23. VIBRATO

Druk op de **[VIBRATO]** toets voor een vibrerend geluid. Druk nogmaals op deze toets om het effect uit te schakelen.

24. KEYBOARD SPLIT

Druk in de normale stand op de **[KEYBOARD SPLIT]** toets om naar de dubbele toetsenbordmodus te gaan. De 24 toetsen aan de linkerkant van het toetsenbord zijn de vooringestelde voices en worden gesplitst met de resterende toetsen van de keyboard.

Druk nogmaals op de **[KEYBOARD SPLIT]** toets om deze functie uit te schakelen.

25. TEACHING A/B

Druk op deze toets om de leerfunctie te activeren.

26. SPEAKERS

Luidsprekers om het geluid van de afgespeelde muziek weer te geven. Het geluidsniveau wordt bepaald op basis van de volume-instelling.

AANSLUITINGEN

27. MICROFOONINGANG

Sluit een microfoon aan op de MIC poort om te zingen terwijl je op het keyboard speelt.

28. HOOFDTELEFOON/UITGANG

Als u een hoofdtelefoon aansluit op de PHONES/OUTPUT-poort, wordt de luidspreker automatisch uitgeschakeld. U kunt spelen zonder anderen te storen.

30. DC 9V INGANG

Aansluiting voor de meegeleverde 9V-adapter.



VOORDAT JE BEGINT

VOEDING AANSLUITEN:

AC-DC adapter gebruiken:

- Gebruik de speciale voedingsadapter die met dit elektronische toetsenbord is meegeleverd of een voedingsadapter met DC 9V uitgangsspanning 500mA. Steek de DC-stekker of voedingsadapter in de DC 9V voedingsaansluiting op het achterpaneel van het keyboard, steek het andere uiteinde in het stopcontact, zet de voedingschakelaar aan en start de het spelen.

Batterijen gebruiken (niet meegeleverd):

- Open het klepje van het batterijvak aan de onderkant van het keyboard. Plaats 6 AA-batterijen en let daarbij goed op de polariteitsmarkering op de behuizing. Plaats het klepje terug en zorg ervoor dat het goed vastklikt.
- Plaats de muziekstandaard in de sleuf van het keyboard.

OPNAME

- Druk op de **[RECORD]** toets om de opnamefunctie te activeren. Druk op een willekeurige toets om de opname te starten. Het maximum aantal op te nemen tonen is 48. Wanneer de display "Full" toont, zal het niet mogelijk zijn om door te gaan met het opnemen van de volgende noot.
- Druk op de **[PLAY]** toets om de opgenomen muziek af te spelen. Het display zal "Ply" tonen. Druk nogmaals op record om de opname te beëindigen en een nieuwe opname te starten.
- Druk op de **[PROG]** toets om de ritme-programmeerfunctie in te schakelen, "Prg" zal op het display verschijnen en de keyboard percussiefunctie zal geactiveerd worden. Er kunnen maximaal 32 percussies geprogrammeerd worden, daarna verschijnt "FUL" op het display en stopt het programmeren automatisch. Druk op **[PLAY]** om het geprogrammeerde ritme af te spelen. Druk op **[START/STOP]** of druk nogmaals op de **[PROG]** toets om de programmeerfunctie uit te schakelen. Alle opgenomen ritmes worden verwijderd.

TRAINING FUNCTIE

De **[SONG]** toets kan helpen om gemakkelijk naar de lesfunctie en de demoselectie te gaan.

- Druk op de **[SONG]** toets. Druk vervolgens op het nummer om de song te selecteren die u wilt leren. Wacht even en druk dan op de **[TEACHING A]** of **[TEACHING B]** toets om het leren te starten.
- **Teaching A:** leer een plaat correct of niet correct af te spelen, zal het juiste geluid uitsturen en doorgaan met het afspelen van de song.
- **Teaching B:** volg het display volgens de juiste noten, speel om automatisch naar de volgende noot te gaan.

BIJLAGE I (VOICE)

0 Acoustic Grand Piano	75 Pan Flute	150 Magic Electronic	225 Baritone Sax ensemble
1 Bright Acoustic Piano	76 Bottle Blow	151 Bright violin	226 Crystal Sax
2 Electric Grand Piano	77 Shakuhachi	152 Atonic Violin	227 Soft Baritone Sax
3 Honky-tonk Piano	78 Whistle	153 Heavy 151 Bright Violin	228 Synth Baritone Sax
4 Rhodes Piano	79 Ocarina	154 Synth Clarinet	229 Heavy metal Sax
5 Chorused Piano	80 Lead 1 (square)	155 Interactive Lead	230 Church Oboe
6 Harpsichord	81 Lead 2 (sawtooth)	156 For the keyboard	231 Oboe ensemble
7 Clavichord	82 Lead 3 (caliopo lead)	157 Bagpipes	232 Bass Oboe
8 Celesta	83 Lead 4 (chiff lead)	158 Suona	233 Bright Oboe
9 Glockenspiel	84 Lead 5 (charang)	159 Pipa	234 distortio oboe
10 Music man	85 Lead 6 (voice)	160 Church Piano	235 English Horn ensemble
11 Vibraphone	86 Lead 7 (fifths)	161 Church electric Piano	236 Pizzicato English Horn
12 Marimba	87 Lead 8 (bass+lead)	162 Synth Piano	237 Diplophonia English Horn
13 Xylophone	88 Pad 1 (new age)	163 Baritone Piano	238 Bright English Horn
14 Tubular Bells	89 Pad 2 (warm)	164 Piano PAD	239 Synth English Horn
15 Dulcimer	90 Pad 3 (polysynth)	165 String Piano	240 Psychedelic Synth Lead
16 Hammond Organ	91 Pad 4 (choir)	166 Metal Piano	241 Vibraphone Synth Lead
17 Percussive Organ	92 Pad 5 (bowed)	167 Light rhythm Piano	242 Marimba Synth Lead
18 Rock Organ	93 Pad 6 (metallic)	168 electric Piano Pad	243 Metal FX
19 Church Organ	94 Pad 7 (halo)	169 Classical piano	244 Electronic FX
20 Reed Organ	95 Pad 8 (sweep)	170 Guitar organ	245 Electronic String Ensemble
21 Accordion	96 FX 1 (rain)	171 An electric guitar	246 Wind FX
22 Harmonica	97 FX 2 (soundtrack)	172 synthesis Nylon Guitar	247 Clarinet FX
23 Tango Accordion	98 FX 3 (crystal)	173 Synthetic electronic guitar	248 Organ FX
24 Acoustic Guitar (nylon)	99 FX 4 (atmosphere)	174 Bright clean Guitar	249 Crystal FX
25 Acoustic Guitar (steel)	100 FX 5 (brightness)	175 Orchestra Guitar	250 Synth Shamisen
26 Electric Guitar (jazz)	101 FX 6 (goblins)	176 Psychedelic Guitar	251 Electronic Shamisen
27 Electric Guitar (clean)	102 FX 7 (echoes)	177 Bright Organ	252 Bright Sitar
28 Electric Guitar (muted)	103 FX 8 (sci-fi)	178 Pick Organ	253 Whistle Accord
29 Overdriven Guitar	104 Sitar	179 Synth Accordion	254 rhythm Nation
30 Distortion Guitar	105 Banjo	180 Bright Violin	255 Bright Koto
31 Guitar Harmonics	106 Shamisen	181 Stringed Violin	256 Koto Lead
32 Acoustic Bass	107 Koto	182 Trill Violin	257 Diplophonia Koto
33 Electric Bass(finger)	108 Kalimba	183 Electronic Violin	258 Baritone Koto
34 Electric Bass (pick)	109 Bagpipe	184 Large Violin	259 Synth Koto
35 Fretless Bass	110 Fiddle	185 rhythm Orchestra	260 Environmental Lead
36 Slap Bass 1	111 Shanai	186 Pizzicato Violin	261 Metal Lead
37 Slap Bass 2	112 Tinkle Bell	187 Pizzicato Ensemble 1	262 Orchestra Lead
38 Synth Bass 1	113 Agogo	188 Pizzicato Ensemble 2	263 Glockenspiel Lead
39 Synth Bass 2	114 Steel Drums	189 Percussion Band	264 Bass Lead
40 Violin	115 Woodblock	190 Baritone Synth Contrabass	265 Fifths Lead
41 Viola	116 Taiko Drum	191 Bass Flute	266 Wind Lead
42 Cello	117 Melodic Tom	192 Distortion Contrabass	267 Atmosphere Lead
43 Contra Bass	118 Synth Drum	193 Contrabass Lead	268 Sharp Lead
44 Tremolo Strings	119 Reverse Cymbal	194 Violin Lead	269 Bright Lead
45 Pizzicato Strings	120 Guitar Fret Noise	195 Cello Lead	270 East Nation Pad
46 Orchestral Harp	121 Breath Noise	196 Pizzicato Rhythm	271 Atmosphere Pad
47 Timpani	122 Seashore	197 High Harp	272 Electric bass Pad
48 String Ensemble 1	123 Bird Tweet	198 Harp ensemble	273 electric Piano Pad
49 String Ensemble 2	124 Telephone Ring	199 Synth Harp	274 Clean Guitar Pad
50 Synth Strings 1	125 Helicopter	200 Baritone Trumpet	275 Western Pad
51 Synth Strings 2	126 Applause	201 Trumpet ensemble	276 Sci-fi Pad
52 Choir Aahs	127 Gunshot	202 Rhythm Trumpet	277 Metal Sci-fi Pad
53 Voice Oohs	128 Percussion	203 High Trumpet	278 Clarinet Pad
54 Synth Voice	129 Rhythm electric Piano	204 Synth Trumpet	279 Electronic dance Pad
55 Orchestra Hit	130 Baritone Xylophone	205 Baritone Trombone	280 Double Kalimba
56 Trumpet	131 Clean Piano	206 Trombone ensemble	281 Bright Kalimba
57 Trombone	132 Bright Dulcimer	207 Rhythm Trombone	282 Crystal Kalimba
58 Tuba	133 Rhythm Grand Piano	208 High Trombone	283 Synth Kalimba
59 Muted Trumpet	134 Traditional Piano	209 Baritone Trombone	284 Electronic Bagpipe
60 French Horn	135 Aluminium jean	210 Synth Trombone	285 Wind Bagpipe
61 Brass Section	136 Rock Grand Piano	211 Violin French Horn	286 High Bagpipe
62 Synth Brass 1	137 Electronic organ	212 French Horn ensemble	287 Bright Bagpipe
63 Synth Brass 2	138 Psychedelic electronic	213 Electronic French Horn	288 Orchestra Bagpipe
64 Soprano Sax	139 Water jean	214 Synth French Horn	289 Baritone Bagpipe
65 Alto Sax	140 Bright Guitar	215 Psychedelic Synth Brass	290 Environmental Shanai
66 Tenor Sax	141 Orchestra piccolo	216 Distortion Synth Brass	291 Baritone Shanai
67 Baritone Sax	142 Heavy metal guitar	217 Vibraphone Synth Brass	292 Tenor Shanai
68 Oboe	143 Crystal guitar	218 Rock Synth Brass	293 high Shanai
69 English Horn	144 Queer electric Piano	219 Synth Muted Trumpet	294 Synth Shanai
70 Bassoon	145 Bright bass	220 Soprano Sax ensemble	295 Bright Steel Drums
71 Clarinet	146 Rock Electric Bass	221 rhythm Soprano Sax	296 Steel Drums Lead
72 Piccolo	147 Rhythm Electric Bass	222 Synth Soprano Sax	297 Lyric Steel Drums
73 Flute	148 Psychedelic Bass	223 National Sax	298 Orchestra Steel Drums
74 Recorder	149 Heavy Metal Bass	224 Metal Sax	299 Synth Steel Drums

BIJLAGE II (STYLE)

00 Beat 1	75 Mambo	150 Heavy Metal Rock 2	225 Progressive House
01 Beat 2	76 Samba	151 70' Rock	226 Epic House
02 Beat 3	77 Reggae	152 80' Rock	227 Trible House
03 Beat 4	78 Rhumba	153 Middle Eastern Rock	228 Big Beat
04 Beat 5	79 Tango	154 Traditional Rock	229 Down Tempo
05 Beat 6	80 Habanera	155 Rock Disco	230 Electro 1
06 Beat 7	81 March 1	156 Modern Dance 1	231 Electro 2
07 Beat 8	82 March 2	157 Modern Dance 2	232 Electro 3
08 Beat 9	83 Polka 1	158 Modern Dance 3	233 House Dance
09 Beat 10	84 Polka 2	159 Modern Dance 4	234 Idm
10 Beat 11	85 Polka 3	160 Modern Dance 5	235 Jungle Drum
11 Beat 12	86 Vallenato	161 New Century 1	236 Techno
12 Beat 13	87 Waltz 1	162 New Century 2	237 Trance
13 Beat 14	88 Waltz 2	163 New Century 3	238 Trip-Hop
14 Rock 1	89 Waltz 3	164 Rock Dance 1	239 Experimental Electronic
15 Rock 2	90 Pop	165 Rock Dance 2	240 Western Swing
16 Cntr Rock	91 Love Ballad	166 Psyche Delic 1	241 Alt-Country
17 Country Rock	92 Easy Beat	167 Psyche Delic 2	242 Americana
18 Dance Rock	93 Soft Beat	168 Soft Rock	243 Charanga
19 Easy Rock	94 Shuffle	169 Post Rock	244 Tropical
20 Glam Rock	95 Cobmo	170 Goth Psychedelic	245 Ambient
21 Hard Rock 1	96 Shuffle 1	171 Soul Psychedelic 1	246 Punk Metal
22 Hard Rock 2	97 Shuffle 2	172 Soul Psychedelic 2	247 Experimental Rock
23 Pop_Rock	98 Slow Folk	173 Soul Psychedelic 3	248 Noise-Rock
24 Rock+Roll	99 Step	174 Soul Psychedelic 4	249 Celtic New Age
25 Rock Beat	100 Euro Pop	175 Psychedelic Swing	250 Ethnic Fusion
26 Rock Folk	101 Bachata Beat 1	176 Country Blues	251 Techno-Tribal
27 Rocky Pop	102 Bachata Beat 2	177 Electric Blues	252 Experimental
28 Dance 1	103 Africa Bossanova	178 Folk Blues	253 Minimalism
29 Dance 2	104 China Dance	179 Jazz Blues	254 Traditional Pop
30 Dance 3	105 Pop Beat	180 Jump Blues	255 Noise
31 Dance 4	106 Vienna Waltz	181 New Orleans Blues	256 Classical Beat 1
32 Dance 5	107 Africa Beat	182 New York Blues	257 Classical Beat2
33 Dance 6	108 Africa Mambo	183 Piano Blues	258 Classical Beat 3
34 Dance 7	109 Euro March 1	184 Soul Blues	259 Classical Beat 4
35 Dance 8	110 Euro March 2	185 Urban Blues	260 Classical Beat 5
36 Dance 9	111 Euro Merengue 1	186 Afro Beat	261 Classical Beat 6
37 Dance 10	112 Euro Merengue 2	187 Afro Pop	262 Classical Beat 7
38 Soul Funk	113 Mideast Dance	188 Celtic Pop	263 Classical Beat 8
39 Euro Soul	114 Africa Dance	189 Hawaiian Pop	264 Classical Beat 9
40 Funky Soul	115 Pop Samba 1	190 Indian Pop	265 Classical Beat 10
41 Funky Soul 2	116 Pop Samba 2	191 European Traditions	266 Classical Beat 11
42 Funky Soul 3	117 Africa Reggae	192 World Fusion	267 Classical Beat 12
43 Funky Soul 4	118 Euro Rhumba 1	193 DouJin	268 Classical Beat 13
44 Funky Soul 5	119 Euro Rhumba 2	194 Shima Uta	269 Classical Beat 14
45 Slow Soul 1	120 India Samba 1	195 Enka	270 Contemporary R&B 1
46 Slow Soul 2	121 India Samba 2	196 Japanese Folk Music	271 Contemporary R&B 2
47 Soul	122 Jazz Soul	197 Middle East Pop	272 Contemporary R&B
48 Big Band 1	123 Country Swing 1	198 Pop Baiao	273 Contemporary R&B4
49 Big Band 2	124 Country Swing 2	199 Pop Bequine	274 Contemporary R&B5
50 Blue Grass	125 Country Swing 3	200 New Age Latin	275 Deep Funk
51 Jazz Samba	126 Pop Waltz	201 New Bossanova	276 Doo Wop
52 Jazz Waltz	127 Pop Classic	202 Rock Lambada	277 Left-Field Hip-Hop
53 Jazz 1	128 Oriental Beat 1	203 Blues Mambo	278 Motown
54 Jazz 2	129 Oriental Beat 2	204 Pop Samba	279 Neo-Soul 1
55 Swing 1	130 Oriental Beat 3	205 Reggae Ballad	280 Neo-Soul 2
56 Swing 2	131 Oriental Beat 4	206 Pop Rhumba	281 Neo-Soul 3
57 Swing 3	132 Oriental Beat 5	207 Rock Tango	282 New Jack Swing
58 Country 1	133 Oriental Beat 6	208 Brit Pop 1	283 Urban
59 Country 2	134 Oriental Beat 7	209 Brit Pop.2	284 Contemporary Instrumental
60 Country 3	135 Oriental Beat 8	210 Brit Pop 3	285 Meditation
61 Country 4	136 Oriental Beat 9	211 Brit Pop 4	286 Neo-Classical 1
62 Country Waltz 1	137 Oriental Beat 10	212 Trip Hop 1	287 Neo-Classical 2
63 Country Waltz 2	138 Oriental Beat 11	213 Trip Hop 2	288 Neo-Classical 3
64 Country 5	139 Oriental Beat 12	214 Chamber Pop	289 New Acoustic
65 Country 6	140 Oriental Beat 13	215 Brit Pop Waltz 1	290 Solo Instrumental
66 Country 7	141 Oriental Beat 14	216 Brit Pop Waltz 2	291 Space
67 Slow Country 1	142 Jazz Rock 1	217 Brit Pop Waltz 3	292 Spiritual
68 Slow Country 2	143 Jazz Rock 2	218 Classical Ballad 1	293 Rock New Age
69 Soul Country	144 Soft Rock	219 Classical Ballad 2	294 Ragtime
70 Baiao	145 Classic Rock	220 Light Ballad	295 Bebop or Bop
71 Bequine	146 Folk Rock 1	221 Rhythm Ballad	296 Cool Jazz
72 Bolero	147 Folk Rock 2	222 Hard House	297 Free Jazz
73 Bossanova	148 Waltz Rock	223 Deep House	298 Jazz-Rock & Fusion
74 Lambada	149 Heavy Metal Rock 1	224 Acid House	299 Jazz Funk

BIJLAGE III (DEMO SONGS)

No.	The name of song	No.	The name of song	No.	The name of song
00	London Bridge Is Falling Down	17	Hand in hand	34	Prom queen
01	Fantasy	18	Two hundred and fourteen	35	Ni Mengruoze
02	The twist	19	Fkey	36	Nen blauen Donau
03	Butter fly	20	Mozart Symphonies	37	Hawthorn
04	Paddle a canoe	21	The girl's Prayer	38	Mary had a little lamb
05	Country songs	22	Nocturne	39	Yellow ribbon
06	Rhythm of the rain	23	Another day in paradise	40	Toreador Song
07	Serenade	24	Red River Valley	41	Radetzky march
08	Bluegrass Music	25	Green sleeves	42	Radiant
09	Music moment	26	Mozart Piano Sonatas	43	Long Long Ago
10	Merry Christmas	27	Orange and lemon	44	Katyusha
11	American Patrol	28	Hallelujah	45	Susanna
12	Flower	29	Minuet	46	Little star
13	Pour Elise	30	Handshake	47	I Don't Care
14	Direct seeding	31	Rain	48	Minuet in G major
15	Turkey March	32	Pamela	49	Carman Overture
16	A cradle	33	Bnnie Edgar		

DEUTSCH

Vielen Dank für den Kauf dieses Fenton gerat. Nehmen Sie sich einen Augenblick Zeit, um diese Anleitung sorgfältig durchzulesen, damit sie die Möglichkeiten, die unser Produkt bietet, sofort voll ausnutzen können.

Lesen Sie erst die Anleitung vollständig vor der ersten Inbetriebnahme durch. Befolgen Sie die Anweisung, da sonst jeglicher Garantieanspruch verfällt. Treffen Sie stets alle Sicherheits-vorkehrungen um Feuer und/oder Stromschlag zu vermeiden. Reparaturen dürfen nur von qualifiziertem Fachpersonal ausgeführt werden, um Stromschlag zu vermeiden. Bewahren Sie diese Anleitung für spätere Bezugnahme auf.

- Bewahren Sie die Verpackung auf, um das Gerät im Bedarfsfall sicher transportieren zu können.
 - Bevor das Gerät in Betrieb genommen wird, muss es erst von einem Fachmann überprüft werden. Bei der ersten Benutzung kann etwas Geruch auftreten. Das ist normal und verschwindet nach einer Weile
 - Das Gerät enthält unter Spannung stehende Teile. Daher NIEMALS das Gehäuse öffnen.
 - Keine Metallgegenstände oder Flüssigkeiten ins Gerät drängen lassen. Sie können zu Stromschlag und Defekten führen.
 - Gerät nicht in der Nähe von Wärmequellen wie Heizkörpern aufstellen. Nicht auf eine vibrierende Oberfläche stellen. Niemals die Belüftungsschlitze abdecken.
 - Das Gerät ist nicht für Dauerbetrieb geeignet.
 - Gehen Sie vorsichtig mit dem Netzkabel um und beschädigen Sie es nicht. Eine beschädigte Netzschnur kann zu Stromschlag und Defekten führen.
 - Wenn Sie das Gerät vom Netz trennen, immer am Stecker ziehen, niemals an der Schnur.
 - Um Feuer und Stromschlag zu vermeiden, das Gerät vor Regen und Feuchtigkeit schützen.
 - Den Stecker nie mit nassen Händen in eine Netzsteckdose stecken oder abziehen.
 - Wenn sowohl der Stecker und/oder die Netzschnur bzw. der Kabeleintritt ins Gerät beschädigt sind, müssen sie von einem Fachmann repariert werden.
 - Wenn das Gerät so beschädigt ist, dass Innenteile sichtbar sind, darf der Stecker NICHT in eine Steckdose gesteckt werden und das Gerät darf NICHT eingeschaltet werden. Wenden Sie sich in dem Fall an Ihren Fachhändler. Das Gerät darf nicht an einen Dimmer angeschlossen werden.
 - Reparaturen dürfen nur von einem Fachmann oder Sachverständigen ausgeführt werden.
 - Das Gerät nur an eine geerdete 10-16A Netzsteckdose mit 220-240V AC/50Hz Spannung anschließen.
 - Bei Gewitter oder längerem Nichtgebrauch den Netzstecker abziehen. Die Regel gilt: Bei Nichtgebrauch Netzstecker abziehen.
 - Wenn das Gerät längere Zeit nicht benutzt wurde, kann sich Kondenswasser gebildet haben. Lassen Sie das Gerät erst auf Zimmertemperatur kommen, bevor Sie es einschalten.
- Das Gerät nicht in feuchten Räumen oder im Freien benutzen.
 - Um Unfällen in der Öffentlichkeit vorzubeugen, müssen die geltenden Richtlinien beachtet und die Anweisungen/Warnungen befolgt werden.
 - Niemals das Gerät kurz hintereinander ein- und ausschalten. Dadurch verkürzt sich die Lebensdauer erheblich.
 - Das Gerät außerhalb der Reichweite von Kindern halten. Das Gerät niemals unbeaufsichtigt lassen.
 - Die Regler nicht mit Reinigungssprays reinigen. Diese hinterlassen Rückstände, die zu Staub- und Fettansammlungen führen. Bei Störungen immer einen Fachmann um Rat fragen.
 - Das Gerät nur mit sauberen Händen bedienen.
 - Das Gerät nicht mit Gewalt bedienen.
 - Dieses Gerät kann dazu führen Magnetfeld. Halten Sie das Gerät mindestens 60 cm vom Computer oder Fernseher.
 - Wenn dieses Gerät eine Blei-Säure-Batterie hat, soll dies jede 3 Monate zumindest wieder aufgeladen werden, wenn es nicht für eine längere Zeit nicht benutzt wird, sonst ist es möglich, dass die Batterie dauerhaft beschädigt.
 - Fachmann um Rat fragen, bevor Sie es wieder einschalten.
 - Keine chemischen Reinigungsmittel benutzen, die den Lack beschädigen. Das Gerät nur mit einem trockenen Tuch abwischen.
 - Nicht in der Nähe von elektronischen Geräten benutzen, die Brummstörungen verursachen können.
 - Bei Reparaturen nur die Original-Ersatzteile verwenden, um starke Schäden und/oder gefährliche Strahlungen zu vermeiden.
 - Bevor Sie das Netz- und/oder Anschlusskabel abziehen, erst das Gerät ausschalten. Netz- und Anschlusskabel abziehen, bevor Sie das Gerät umstellen.
 - Sorgen Sie dafür, dass das Netzkabel nicht beschädigt werden kann, wenn Menschen darüber laufen. Das Netzkabel vor jedem Einsatz auf Brüche/Schadstellen überprüfen.
 - In Deutschland beträgt die Netzspannung 220-240V AC / 50Hz. Wenn Sie das Gerät auf Reisen mitnehmen, prüfen Sie, ob die örtliche Netzspannung den Anforderungen des Geräts entspricht.



Dieses Zeichen weist den Benutzer darauf hin, dass lebensgefährliche Spannungen im Gerät anliegen, die bei Berührung einen Stromschlag verursachen.



Dieses Zeichen lenkt die Aufmerksamkeit des Benutzers auf wichtige Hinweise in der Anleitung hin, die unbedingt eingehalten werden müssen.

HINWEIS: Um einen einwandfreien Betrieb zu gewährleisten, muss die Raumtemperatur zwischen 5° und 35°C liegen.



Tronios BV Registrierungsnummer : DE51181017 (ElektroG).

Dieses Produkt darf am Ende seiner Lebensdauer nicht über den normalen Haushaltsabfall entsorgt werden, sondern muss an einem Sammelpunkt für das Recycling abgegeben werden. Hiermit leisten Sie einen wichtigen Beitrag zum Schutze unserer Umwelt.

Tronios BV Registrierungsnummer : 21003000 (BatterieG).

Lithiumbatterien und Akkupacks sollten nur im entladenen Zustand in die Altbatteriesammelgefäße bei Handel und bei öffentlich-rechtlichen Entsorgungsträgern gegeben werden. Bei nicht vollständig entladenen Batterien Vorsorge gegen Kurzschluss treffen durch Isolieren der Pole mit Klebestreifen. Der Endnutzer ist zur Rückgabe von Altbatterien gesetzlich verpflichtet.

Reparieren Sie das Gerät niemals selbst und nehmen Sie niemals eigenmächtig Veränderungen am Gerät vor. Sie verlieren dadurch den Garantieanspruch. Der Garantieanspruch verfällt ebenfalls bei Unfällen und Schäden in jeglicher Form, die durch unsachgemäßen Gebrauch und Nichtbeachtung der Warnungen und Sicherheitshinweise in dieser Anleitung entstanden sind. MAX Music ist in keinem Fall verantwortlich für persönliche Schäden in Folge von Nichtbeachtung der Sicherheitsvorschriften und Warnungen. Dies gilt auch für Folgeschäden jeglicher Form.

ANLEITUNG ZUM AUSPACKEN

VORSICHT! Packen Sie den Karton nach Erhalt vorsichtig aus. Überprüfen Sie den Inhalt, um sicherzustellen, dass alle Teile vorhanden sind und in gutem Zustand erhalten wurden. Benachrichtigen Sie sofort den Spediteur und bewahren Sie das Verpackungsmaterial auf, wenn Teile durch den Transport beschädigt wurden oder das Paket selbst Anzeichen von unsachgemäßer Handhabung aufweist. Bewahren Sie die Verpackung und alle Verpackungsmaterialien auf. Wenn das Produkt zurückgeschickt werden muss, ist es wichtig, dass es im Originalkarton und in der Originalverpackung zurückgeschickt wird. Wenn das Gerät drastischen Temperaturschwankungen ausgesetzt war (z. B. nach dem Transport), schalten Sie es nicht sofort ein. Das entstehende Kondenswasser könnte Ihr Gerät beschädigen. Lassen Sie das Gerät ausgeschaltet, bis es Raumtemperatur erreicht hat.

STROMVERSORGUNG

Das Etikett auf der Unterseite des Geräts gibt an, an welche Art von Stromnetz das Gerät angeschlossen werden muss. Vergewissern Sie sich, dass die Netzspannung damit übereinstimmt; alle anderen Spannungen können zu irreparablen Schäden führen. Das Produkt muss außerdem direkt an das Stromnetz angeschlossen werden, ohne Dimmer oder regelbare Stromversorgung.



Schließen Sie das Gerät immer an einen geschützten Stromkreis an (Schutzschalter oder Sicherung). Vergewissern Sie sich, dass das Gerät über eine geeignete elektrische Erdung verfügt, um die Gefahr eines Stromschlags oder Brands zu vermeiden.

BEDIENUNG



- 1. ⏻**
Drücken Sie , um die Tastatur ein-/auszuschalten.
- 2. MASTER LAUTSTÄRKE**
Drücken Sie die Taste **[MASTER VOL +/-]**, um die Gesamtlautstärke zu erhöhen oder zu verringern.
- 3. ACCOMP**
Es gibt 8 Stufen der Begleitungslautstärke, die Systemvorgabe ist 06, durch Drücken der Taste **[+/-]** kann die Begleitungslautstärke eingestellt werden. Drücken Sie beide Tasten gleichzeitig, um auf den Standardwert zurückzusetzen.
- 4. TRANSPOSE**
Drücken Sie die Taste **[TRANSPOSE +/-]**, um den Ton der Noten zu transponieren. Die Transponierung kann von „-6“ bis „+6“ eingestellt werden. Durch gleichzeitiges Drücken der beiden Tasten wird die Transponierung auf den Standardwert zurückgesetzt.
- 5. TEMPO**
Drücken Sie die Taste **[TEMPO +/-]**, um das Tempo für Style, Metronom und Demo einzustellen. Es gibt insgesamt 210 Segmente. Der Einstellbereich beträgt 30 bis 240. Durch gleichzeitiges Drücken der beiden Tasten wird das Tempo auf den Standardwert von 120 zurückgesetzt.
- 6. SINGLE CHORD**
Wenn der Style aktiviert ist, drücken Sie die Taste **[SINGLE]**. Nachdem „C-1“ auf dem Display angezeigt wird, können Sie einen einzelnen Akkord auf den Tasten in der Akkordzone der Tastatur spielen. Wenn Sie die **[SINGLE]** Taste erneut drücken oder die **[CHORD CLEAR]** Taste drücken, erscheint „OFF“ auf dem Display. Die Einzelakkord-Funktion ist nun deaktiviert.
- 7. FINGER CHORD**
In diesem Modus spielen Sie die einzelnen Noten des Akkordes mit der linken Hand. Wenn der Style aktiviert ist, drücken Sie die Taste **[FINGER CHORD]**. Nachdem „C-2“ auf dem Display angezeigt wird, können Sie einen Fingerakkord auf den Tasten in der Akkordzone der Tastatur spielen. Drücken Sie die **[FINGER CHORD]** Taste erneut oder drücken Sie die **[CHORD CLEAR]** Taste, „OFF“ erscheint im Display. Die Fingerring-Akkord-Funktion ist nun deaktiviert.
- 8. START/STOP**
Drücken Sie diese Taste, um die Wiedergabe des gewählten Programms zu starten oder zu stoppen.

9. SYNC

Drücken Sie die **[SYNC]** Taste, um die Sync-Begleitfunktion zu öffnen. Drücken Sie die 19 Tasten auf der linken Seite, um den Style zu starten; wenn die Akkordfunktion gestartet wurde, wird durch Drücken dieser 19 Tasten gleichzeitig der automatische Akkord gestartet. Wenn der Style gespielt wird, drücken Sie diese Taste, um den Style zu stoppen und die Sync-Begleitfunktion zu öffnen. Wenn Sie die Sync-Funktion starten müssen. Drücken Sie diese Taste zum Beenden.

10. INTRO/ENDING

Drücken Sie die Taste **[INTRO/ENDING]**, um die Wiedergabe des Vorspiels zu starten. Schalten Sie auf den regulären Rhythmus um, um fortzufahren. Drücken Sie während der Wiedergabe des Rhythmus die Taste **[INTRO/ENDING]**, um einen Code für das Ende zu spielen.

11. FILL IN

Drücken Sie die **[FILL IN]** Taste, während der Style gespielt wird. Mit dieser Funktion können Sie eine Bridge einfügen, um die Performance zu verbessern, und dann mit dem ursprünglichen Tempo fortfahren.

12. METRONOME

Es gibt 4 Arten von Metronomen, die auf der Tastatur gespeichert sind: 1/4 Takt, 2/4 Takt, 3/4 Takt und 4/4 Takt. Drücken Sie die **[METRONOME]** Taste einmal, um den Rhythmus auf 1/4-Takt einzustellen, zweimal für 2/4-Takt usw. Drücken Sie ein fünftes Mal, um die Funktion abzubrechen.

13. PANEL PERCUSSION

Drücken Sie eine der Percussion-Tasten. Für dieses Keyboard sind 8 Arten von Perkussionsinstrumenten verfügbar.

- Holzblock L
- Hand Clap
- Hi-Hat offen
- Hi-Hat Geschlossen
- Snare L
- Bongo L
- Basstrommel H Weich
- Basstrommel L

14. VOICE

Dieses Keyboard bietet 300 verschiedene Voices zur Auswahl. (Anlage I) Drücken Sie die **[VOICE]** Taste, um eine Voice durch Drücken der Ziffern **[0-9]** oder der **[+ / -]** Tasten auszuwählen. Eine Liste der Voices finden Sie im Anlage.

15. STYLE

Diese Tastatur bietet 300 Styles zur Auswahl.(Anhang II) Drücken Sie die Taste **[STYLE]**, um einen Style durch Drücken der Ziffern **[0-9]** oder der Tasten **[+/-]** auszuwählen. Eine Liste der Styles finden Sie im Anhang. Drücken Sie die Zahlen innerhalb der Begrenzung, sonst ist die Eingabe unwirksam.

16. SONG

Drücken Sie die Taste **[SONG]**, um den Song-Modus aufzurufen. Drücken Sie dann die Zifferntasten, um den von Ihnen bevorzugten Song auszuwählen. Warten Sie eine Sekunde und drücken Sie dann die **[DEMO]** Taste, um die Wiedergabe des Songs zu starten.

17. RECORD

Drücken Sie die **[RECORD]** Taste und Sie können die Musik, die Sie abspielen, aufnehmen.

18. PLAY

Drücken Sie die **[PLAY]** Taste, um aufgenommene Noten oder Rhythmen wiederzugeben.

19. PROGRAM

Drücken Sie die **[PROGRAM]** Taste, um den Style-Programmiermodus aufzurufen.

20. DEMO

Insgesamt 50 Demos, bitte lesen Sie Anhang III für weitere Details.

Drücken Sie die **[DEMO]** Taste, um die Songs im kontinuierlichen Wiedergabemodus abzuspielen, beginnend mit Song NO. Drücken Sie die Tasten **[+ / -]**, um die richtige Nummer des gewünschten Titels auszuwählen. Wenn Sie die Wiedergabe stoppen wollen, drücken Sie die **[DEMO]** Taste erneut oder die **[START/STOP]** Taste.

21. ZIFFERBLOCK UND [- / +]

Zifferntasten, um einen genauen Wert einzugeben.

22. SUSTAIN

Drücken Sie **[SUSTAIN]** und der Sustain-Effekt wird aktiviert. Drücken Sie diese Taste erneut, um den Sustain-Effekt zu deaktivieren.

23. VIBRATO

Drücken Sie die **[VIBRATO]** Taste, um einen vibrierenden Sound zu erzeugen. Drücken Sie die **[VIBRATO]** Taste erneut, um den Vibrationseffekt zu deaktivieren.

24. KEYBOARD SPLIT

Drücken Sie im Normalzustand die Taste **[KEYBOARD SPLIT]**, um den Doppeltastaturmodus aufzurufen, der mit der Aufteilung in zwei Bereiche beginnt. Die 24 Tasten auf der linken Seite der Tastatur sind die voreingestellte Stimme und werden mit der restlichen Tastatur geteilt.

Drücken Sie die **[KEYBOARD SPLIT]** Taste erneut, um diese Funktion zu deaktivieren.

25. TEACHING A/B

Drücken Sie die Taste **[TEACHING A/B]**, um die Lernfunktion aufzurufen.

26. LAUTSPRECHER

Lautsprecher zur Wiedergabe der gespielten Musik. Die Lautstärke wird auf der Grundlage der Lautstärkeeinstellung bestimmt.

VERBINDUNGEN

27. MIKROFONEINGANG

Schließen Sie ein Mikrofon an den MIC-Anschluss an, um beim Spielen auf dem Keyboard zu singen.

28. KOPFHÖRER/AUSGANG

Wenn Sie einen Kopfhörer an den PHONES/OUTPUT-Anschluss anschließen, wird der Lautsprecher automatisch ausgeschaltet. Sie können auftreten, ohne andere zu stören und ohne dass andere Sie stören.

29. DC-EINGANG

Buchse zum Einstecken des mitgelieferten 9V-Adapters.



BEVOR SIE BEGINNEN

STROMVERSORGUNG:

- **Verwendung eines AC-DC-Adapters:**

Verwenden Sie den speziellen Netzadapter, der mit diesem elektronischen Keyboard geliefert wird, oder einen Netzadapter mit einer Ausgangsspannung von DC 9V von 500mA. Stecken Sie den Gleichstromstecker oder den Netzadapter in die DC 9V-Buchse auf der Rückseite des elektronischen Keyboards, stecken Sie das andere Ende in die Hauptbuchse, schalten Sie den Netzschalter ein und beginnen Sie mit dem Spiel.

- **Verwendung von Batterien (nicht im Lieferumfang enthalten):**

Öffnen Sie die Abdeckung des Batteriefachs an der Unterseite des elektronischen Keyboards. Legen Sie 6 Stück AA-Batterien ein und achten Sie dabei auf die Polaritätsmarkierung auf dem Gehäuse. Bringen Sie die Abdeckung des Batteriefachs wieder an und achten Sie darauf, dass sie fest einrastet.

- Setzen Sie den Notenständer in den Schlitz der Tastatur.

RECORDING

- Drücken Sie die Taste **[RECORD]**, um den Aufnahmemodus zu aktivieren. Drücken Sie eine beliebige Taste, um die Aufnahme zu starten. Die maximale Anzahl der aufzunehmenden Klangfarben beträgt 48. Wenn das Display „Full“ anzeigt, kann die Aufnahme der nächsten Note nicht fortgesetzt werden.
- Drücken Sie die **[PLAY]** Taste, um die aufgenommene Musik abzuspielen. Im Display wird „Ply“ angezeigt. Drücken Sie erneut die Aufnahme-Taste, um die Aufnahme zu beenden und eine neue Aufnahme zu starten.
- Drücken Sie die **[PROG]** Taste, um die Rhythmus-Programmierungsfunktion zu aktivieren, „Prg“ wird im Display angezeigt und die Keyboard-Percussion-Funktion wird aktiviert. Es können maximal 32 Percussions programmiert werden, danach erscheint „FUL“ auf dem Display und die Programmierung wird automatisch beendet. Drücken Sie die **[PLAY]** Taste, um den programmierten Rhythmus abzuspielen. Drücken Sie die **[START/STOP]** Taste oder drücken Sie die **[PROG]** Taste erneut, um die Programmierungsfunktion zu deaktivieren. Alle aufgenommenen Rhythmen werden gelöscht.

LEHRFUNKTION

Mit der Taste **[SONG]** können Sie den Lernmodus und die Auswahl der Demos einfach aufrufen.

- Drücken Sie die **[SONG]** Taste. Drücken Sie dann die Nummer, um den Song zu wählen, den Sie lernen möchten. Warten Sie eine Sekunde und drücken Sie dann die Taste **[TEACHING A]** oder **[TEACHING B]**, um mit dem Lernen zu beginnen.
- **Teaching A:** Wenn Sie lernen, eine Schallplatte richtig oder falsch abzuspielen, wird der richtige Ton ausgegeben und das Lied weiter abgespielt.
- **Teaching B:** folgen Sie der Anzeige nach den richtigen Noten, spielen Sie, um automatisch die nächste Note eingeben.

ANLAGE I (VOICE)

0 Acoustic Grand Piano	75 Pan Flute	150 Magic Electronic	225 Baritone Sax ensemble
1 Bright Acoustic Piano	76 Bottle Blow	151 Bright violin	226 Crystal Sax
2 Electric Grand Piano	77 Shakuhachi	152 Atonic Violin	227 Soft Baritone Sax
3 Honky-tonk Piano	78 Whistle	153 Heavy 151 Bright Violin	228 Heavy Baritone Sax
4 Rhodes Piano	79 Ocarina	154 Synth Clarinet	229 Heavy metal Sax
5 Chorused Piano	80 Lead 1 (square)	155 Interactive Lead	230 Church Oboe
6 Harpsichord	81 Lead 2 (sawtooth)	156 For the keyboard	231 Oboe ensemble
7 Clavichord	82 Lead 3 (caliopo lead)	157 Bagpipes	232 Bass Oboe
8 Celesta	83 Lead 4 (chiff lead)	158 Suona	233 Bright Oboe
9 Glockenspiel	84 Lead 5 (charang)	159 Pipa	234 distortio oboe
10 Music man	85 Lead 6 (voice)	160 Church Piano	235 English Horn ensemble
11 Vibraphone	86 Lead 7 (fifths)	161 Church electric Piano	236 Pizzicato English Horn
12 Marimba	87 Lead 8 (bass+lead)	162 Synth Piano	237 Diplophonia English Horn
13 Xylophone	88 Pad 1 (new age)	163 Baritone Piano	238 Bright English Horn
14 Tubular Bells	89 Pad 2 (warm)	164 Piano PAD	239 Synth English Horn
15 Dulcimer	90 Pad 3 (polysynth)	165 String Piano	240 Psychedelic Synth Lead
16 Hammond Organ	91 Pad 4 (choir)	166 Metal Piano	241 Vibraphone Synth Lead
17 Percussive Organ	92 Pad 5 (bowed)	167 Light rhythm Piano	242 Marimba Synth Lead
18 Rock Organ	93 Pad 6 (metallic)	168 electric Piano Pad	243 Metal FX
19 Church Organ	94 Pad 7 (halo)	169 Classical piano	244 Electronic FX
20 Reed Organ	95 Pad 8 (sweep)	170 Guitar organ	245 Electronic String Ensemble
21 Accordion	96 FX 1 (rain)	171 An electric guitar	246 Wind FX
22 Harmonica	97 FX 2 (soundtrack)	172 synthesis Nylon Guitar	247 Clarinet FX
23 Tango Accordion	98 FX 3 (crystal)	173 Synthetic electronic guitar	248 Organ FX
24 Acoustic Guitar (nylon)	99 FX 4 (atmosphere)	174 Bright clean Guitar	249 Crystal FX
25 Acoustic Guitar (steel)	100 FX 5 (brightness)	175 Orchestra Guitar	250 Synth Shamisen
26 Electric Guitar (jazz)	101 FX 6 (goblins)	176 Psychedelic Guitar	251 Electronic Shamisen
27 Electric Guitar (clean)	102 FX 7 (echoes)	177 Bright Organ	252 Bright Sitar
28 Electric Guitar (muted)	103 FX 8 (sci-fi)	178 Pick Organ	253 Whistle Accord
29 Overdriven Guitar	104 Sitar	179 Synth Accordion	254 rhythm Nation
30 Distortion Guitar	105 Banjo	180 Bright Violin	255 Bright Koto
31 Guitar Harmonics	106 Shamisen	181 Stringed Violin	256 Koto Lead
32 Acoustic Bass	107 Koto	182 Trill Violin	257 Diplophonia Koto
33 Electric Bass(finger)	108 Kalimba	183 Electronic Violin	258 Baritone Koto
34 Electric Bass (pick)	109 Bagpipe	184 Large Violin	259 Synth Koto
35 Fretless Bass	110 Fiddle	185 rhythm Orchestra	260 Environmental Lead
36 Slap Bass 1	111 Shanai	186 Pizzicato Violin	261 Metal Lead
37 Slap Bass 2	112 Tinkle Bell	187 Pizzicato Ensemble 1	262 Orchestra Lead
38 Synth Bass 1	113 Agogo	188 Pizzicato Ensemble 2	263 Glockenspiel Lead
39 Synth Bass 2	114 Steel Drums	189 Percussion Band	264 Bass Lead
40 Violin	115 Woodblock	190 Baritone Synth Contrabass	265 Fifths Lead
41 Viola	116 Taiko Drum	191 Bass Flute	266 Wind Lead
42 Cello	117 Melodic Tom	192 Distortion Contrabass	267 Atmosphere Lead
43 Contra Bass	118 Synth Drum	193 Contrabass Lead	268 Sharp Lead
44 Tremolo Strings	119 Reverse Cymbal	194 Violin Lead	269 Bright Lead
45 Pizzicato Strings	120 Guitar Fret Noise	195 Cello Lead	270 East Nation Pad
46 Orchestral Harp	121 Breath Noise	196 Pizzicato Rhythm	271 Atmosphere Pad
47 Timpani	122 Seashore	197 High Harp	272 Electric bass Pad
48 String Ensemble 1	123 Bird Tweet	198 Harp ensemble	273 electric Piano Pad
49 String Ensemble 2	124 Telephone Ring	199 Synth Harp	274 Clean Guitar Pad
50 Synth Strings 1	125 Helicopter	200 Baritone Trumpet	275 Western Pad
51 Synth Strings 2	126 Applause	201 Trumpet ensemble	276 Sci-fi Pad
52 Choir Aahs	127 Gunshot	202 Rhythm Trumpet	277 Metal Sci-fi Pad
53 Voice Oohs	128 Percussion	203 High Trumpet	278 Clarinet Pad
54 Synth Voice	129 Rhythm electric Piano	204 Synth Trumpet	279 Electronic dance Pad
55 Orchestra Hit	130 Baritone Xylophone	205 Baritone Trombone	280 Double Kalimba
56 Trumpet	131 Clean Piano	206 Trombone ensemble	281 Bright Kalimba
57 Trombone	132 Bright Dulcimer	207 Rhythm Trombone	282 Crystal Kalimba
58 Tuba	133 Rhythm Grand Piano	208 High Trombone	283 Synth Kalimba
59 Muted Trumpet	134 Traditional Piano	209 Baritone Trombone	284 Electronic Bagpipe
60 French Horn	135 Aluminium jean	210 Synth Trombone	285 Wind Bagpipe
61 Brass Section	136 Rock Grand Piano	211 Violin French Horn	286 High Bagpipe
62 Synth Brass 1	137 Electronic organ	212 French Horn ensemble	287 Bright Bagpipe
63 Synth Brass 2	138 Psychedelic electronic	213 Electronic French Horn	288 Orchestra Bagpipe
64 Soprano Sax	139 Water jean	214 Synth French Horn	289 Baritone Bagpipe
65 Alto Sax	140 Bright Guitar	215 Psychedelic Synth Brass	290 Environmental Shanai
66 Tenor Sax	141 Orchestra piccolo	216 Distortion Synth Brass	291 Baritone Shanai
67 Baritone Sax	142 Heavy metal guitar	217 Vibraphone Synth Brass	292 Tenor Shanai
68 Oboe	143 Crystal guitar	218 Rock Synth Brass	293 high Shanai
69 English Horn	144 Queer electric Piano	219 Synth Muted Trumpet	294 Synth Shanai
70 Bassoon	145 Bright bass	220 Soprano Sax ensemble	295 Bright Steel Drums
71 Clarinet	146 Rock Electric Bass	221 rhythm Soprano Sax	296 Steel Drums Lead
72 Piccolo	147 Rhythm Electric Bass	222 Synth Soprano Sax	297 Lyric Steel Drums
73 Flute	148 Psychedelic Bass	223 National Sax	298 Orchestra Steel Drums
74 Recorder	149 Heavy Metal Bass	224 Metal Sax	299 Synth Steel Drums

ANLAGE II (STYLE)

00 Beat 1	75 Mambo	150 Heavy Metal Rock 2	225 Progressive House
01 Beat 2	76 Samba	151 70' Rock	226 Epic House
02 Beat 3	77 Reggae	152 80' Rock	227 Trible House
03 Beat 4	78 Rhumba	153 Middle Eastern Rock	228 Big Beat
04 Beat 5	79 Tango	154 Traditional Rock	229 Down Tempo
05 Beat 6	80 Habanera	155 Rock Disco	230 Electro 1
06 Beat 7	81 March 1	156 Modern Dance 1	231 Electro 2
07 Beat 8	82 March 2	157 Modern Dance 2	232 Electro 3
08 Beat 9	83 Polka 1	158 Modern Dance 3	233 House Dance
09 Beat 10	84 Polka 2	159 Modern Dance 4	234 Idm
10 Beat 11	85 Polka 3	160 Modern Dance 5	235 Jungle Drum
11 Beat 12	86 Vallenato	161 New Century 1	236 Techno
12 Beat 13	87 Waltz 1	162 New Century 2	237 Trance
13 Beat 14	88 Waltz 2	163 New Century 3	238 Trip-Hop
14 Rock 1	89 Waltz 3	164 Rock Dance 1	239 Experimental Electronic
15 Rock 2	90 Pop	165 Rock Dance 2	240 Western Swing
16 Cntr Rock	91 Love Ballad	166 Psyche Delic 1	241 Alt-Country
17 Country Rock	92 Easy Beat	167 Psyche Delic 2	242 Americana
18 Dance Rock	93 Soft Beat	168 Soft Rock	243 Charanga
19 Easy Rock	94 Shuffle	169 Post Rock	244 Tropical
20 Glam Rock	95 Cobmo	170 Goth Psychedelic	245 Ambient
21 Hard Rock 1	96 Shuffle 1	171 Soul Psychedelic 1	246 Punk Metal
22 Hard Rock 2	97 Shuffle 2	172 Soul Psychedelic 2	247 Experimental Rock
23 Pop_Rock	98 Slow Folk	173 Soul Psychedelic 3	248 Noise-Rock
24 Rock+Roll	99 Step	174 Soul Psychedelic 4	249 Celtic New Age
25 Rock Beat	100 Euro Pop	175 Psychedelic Swing	250 Ethnic Fusion
26 Rock Folk	101 Bachata Beat 1	176 Country Blues	251 Techno-Tribal
27 Rocky Pop	102 Bachata Beat 2	177 Electric Blues	252 Experimental
28 Dance 1	103 Africa Bossanova	178 Folk Blues	253 Minimalism
29 Dance 2	104 China Dance	179 Jazz Blues	254 Traditional Pop
30 Dance 3	105 Pop Beat	180 Jump Blues	255 Noise
31 Dance 4	106 Vienna Waltz	181 New Orleans Blues	256 Classical Beat 1
32 Dance 5	107 Africa Beat	182 New York Blues	257 Classical Beat2
33 Dance 6	108 Africa Mambo	183 Piano Blues	258 Classical Beat 3
34 Dance 7	109 Euro March 1	184 Soul Blues	259 Classical Beat 4
35 Dance 8	110 Euro March 2	185 Urban Blues	260 Classical Beat 5
36 Dance 9	111 Euro Merengue 1	186 Afro Beat	261 Classical Beat 6
37 Dance 10	112 Euro Merengue 2	187 Afro Pop	262 Classical Beat 7
38 Soul Funk	113 Mideast Dance	188 Celtic Pop	263 Classical Beat 8
39 Euro Soul	114 Africa Dance	189 Hawaiian Pop	264 Classical Beat 9
40 Funky Soul	115 Pop Samba 1	190 Indian Pop	265 Classical Beat 10
41 Funky Soul 2	116 Pop Samba 2	191 European Traditions	266 Classical Beat 11
42 Funky Soul 3	117 Africa Reggae	192 World Fusion	267 Classical Beat 12
43 Funky Soul 4	118 Euro Rhumba 1	193 DouJin	268 Classical Beat 13
44 Funky Soul 5	119 Euro Rhumba 2	194 Shima Uta	269 Classical Beat 14
45 Slow Soul 1	120 India Samba 1	195 Enka	270 Contemporary R&B 1
46 Slow Soul 2	121 India Samba 2	196 Japanese Folk Music	271 Contemporary R&B 2
47 Soul	122 Jazz Soul	197 Middle East Pop	272 Contemporary R&B
48 Big Band 1	123 Country Swing 1	198 Pop Baiao	273 Contemporary R&B4
49 Big Band 2	124 Country Swing 2	199 Pop Bequine	274 Contemporary R&B5
50 Blue Grass	125 Country Swing 3	200 New Age Latin	275 Deep Funk
51 Jazz Samba	126 Pop Waltz	201 New Bossanova	276 Doo Wop
52 Jazz Waltz	127 Pop Classic	202 Rock Lambada	277 Left-Field Hip-Hop
53 Jazz 1	128 Oriental Beat 1	203 Blues Mambo	278 Motown
54 Jazz 2	129 Oriental Beat 2	204 Pop Samba	279 Neo-Soul 1
55 Swing 1	130 Oriental Beat 3	205 Reggae Ballad	280 Neo-Soul 2
56 Swing 2	131 Oriental Beat 4	206 Pop Rhumba	281 Neo-Soul 3
57 Swing 3	132 Oriental Beat 5	207 Rock Tango	282 New Jack Swing
58 Country 1	133 Oriental Beat 6	208 Brit Pop 1	283 Urban
59 Country 2	134 Oriental Beat 7	209 Brit Pop.2	284 Contemporary Instrumental
60 Country 3	135 Oriental Beat 8	210 Brit Pop 3	285 Meditation
61 Country 4	136 Oriental Beat 9	211 Brit Pop 4	286 Neo-Classical 1
62 Country Waltz 1	137 Oriental Beat 10	212 Trip Hop 1	287 Neo-Classical 2
63 Country Waltz 2	138 Oriental Beat 11	213 Trip Hop 2	288 Neo-Classical 3
64 Country 5	139 Oriental Beat 12	214 Chamber Pop	289 New Acoustic
65 Country 6	140 Oriental Beat 13	215 Brit Pop Waltz 1	290 Solo Instrumental
66 Country 7	141 Oriental Beat 14	216 Brit Pop Waltz 2	291 Space
67 Slow Country 1	142 Jazz Rock 1	217 Brit Pop Waltz 3	292 Spiritual
68 Slow Country 2	143 Jazz Rock 2	218 Classical Ballad 1	293 Rock New Age
69 Soul Country	144 Soft Rock	219 Classical Ballad 2	294 Ragtime
70 Baiao	145 Classic Rock	220 Light Ballad	295 Bebop or Bop
71 Bequine	146 Folk Rock 1	221 Rhythm Ballad	296 Cool Jazz
72 Bolero	147 Folk Rock 2	222 Hard House	297 Free Jazz
73 Bossanova	148 Waltz Rock	223 Deep House	298 Jazz-Rock & Fusion
74 Lambada	149 Heavy Metal Rock 1	224 Acid House	299 Jazz Funk

ANLAGE III (DEMO SONGS)

No.	The name of song	No.	The name of song	No.	The name of song
00	London Bridge Is Falling Down	17	Hand in hand	34	Prom queen
01	Fantasy	18	Two hundred and fourteen	35	Ni Mengruoze
02	The twist	19	Fkey	36	Nen blauen Donau
03	Butter fly	20	Mozart Symphonies	37	Hawthorn
04	Paddle a canoe	21	The girl's Prayer	38	Mary had a little lamb
05	Country songs	22	Nocturne	39	Yellow ribbon
06	Rhythm of the rain	23	Another day in paradise	40	Toreador Song
07	Serenade	24	Red River Valley	41	Radetzky march
08	Bluegrass Music	25	Green sleeves	42	Radiant
09	Music moment	26	Mozart Piano Sonatas	43	Long Long Ago
10	Merry Christmas	27	Orange and lemon	44	Katyusha
11	American Patrol	28	Hallelujah	45	Susanna
12	Flower	29	Minuet	46	Little star
13	Pour Elise	30	Handshake	47	I Don't Care
14	Direct seeding	31	Rain	48	Minuet in G major
15	Turkey March	32	Pamela	49	Carman Overture
16	A cradle	33	Bnnie Edgar		

ESPAÑOL

Felicitaciones a la compra de este producto MAX Music. Por favor lea atentamente este manual antes de usar el aparato para disfrutar al completo de sus prestaciones.

Seguir las instrucciones le permite no invalidar la garantía. Tome todas las precauciones para evitar que se produzca fuego o una descarga eléctrica. Las reparaciones solo deben llevarse a cabo por técnicos cualificados para evitar descargas eléctricas. Guarde el manual para futuras consultas.

sentirse cierto olor. Esto es normal y desaparece al poco tiempo.

- Este aparato contiene piezas que llevan voltaje. Por lo tanto NO abra la carcasa.
- No coloque objetos metálicos o vierta líquidos dentro del aparato. Podría producir descargas eléctricas y fallos en el funcionamiento.
- No coloque el aparato cerca de fuentes de calor tipo radiadores, etc. No coloque el aparato en superficies vibratorias. No tape los agujeros de ventilación.
- Este aparato no está preparado para un uso continuado.
- Tenga cuidado con el cable de alimentación y no lo dañe. Un daño o defecto en el cable de alimentación puede producir una descarga eléctrica o fallo en el funcionamiento.
- Cuando desconecte el aparato de la toma de corriente, siempre tire de la clavija, nunca del cable.
- No enchufe o desenchufe el aparato con las manos mojadas.
- Si la clavija y/o el cable de alimentación están dañados, necesitan reemplazarse por un técnico cualificado.
- Si el aparato está dañado de modo que puedan verse sus partes internas, NO conecte el aparato a la toma de corriente y NO lo encienda. Contacte con su distribuidor. NO conecte el aparato a un reostato o dimmer.
- Para evitar un fuego o peligro de descarga, no exponga el aparato a la lluvia y a la humedad.
- Todas las reparaciones deben llevarse a cabo exclusivamente por técnicos cualificados.
- Conecte el aparato a una toma de corriente con toma de tierra (220-240Vca/50Hz) protegida por un fusible de 10-16A.
- Durante una tormenta o si el aparato no va a usarse durante un periodo largo de tiempo, desconéctelo de la toma de corriente. La regla es: Desconéctelo si no lo va a usar.
- Si el aparato no se ha usado en mucho tiempo puede producirse condensación. Deje el aparato a temperatura ambiente antes de encenderlo. Nunca utilice el aparato en ambientes húmedos o en el exterior.
- Para prevenir accidentes en las empresas, debe seguir las directrices aplicables y seguir las instrucciones.
- No lo apague y encienda repetidamente. Esto acorta su tiempo de vida.
- Mantenga el aparato fuera del alcance de los niños. No deje el aparato sin vigilancia.
- No utilice sprays limpiadores para limpiar los interruptores. Los residuos de estos sprays producen depósitos de polvo y grasa. En caso de mal funcionamiento, siempre consulte a un profesional.
- No fuerce los controles.
- Si el aparato se ha caído, siempre haga que lo verifique un técnico cualificado antes de encenderlo otra vez.
- NO utilice productos químicos para limpiar el aparato. Dañan el barniz. Tan solo límpielo con un trapo seco.
- Manténgalo lejos de equipos electrónicos ya que pueden producir interferencias.
- Si este producto incorpora una batería recargable con base ácida, por favor recargue batería cada 3 meses si no va a usar la unidad por un tiempo prolongado. En caso contrario la batería podría dañarse.
- Solo utilice recambios originales para las reparaciones, de otro modo pueden producirse daños serios y/o radiaciones peligrosas.
- Apague el aparato antes de desconectarlo de la toma de corriente y/o de otros equipos. Desconecte todos los cables y conexiones antes de mover el aparato.
- Asegúrese de que el cable de alimentación no puede dañarse cuando la gente lo pise. Compruebe el cable de alimentación antes de cada uso por si hay daños o defectos.
- El voltaje de funcionamiento es 220-240Vca/50Hz. Compruebe que la toma de corriente coincide. Si tiene que viajar, asegúrese de que el voltaje del país es el adecuado para este aparato.
- Guarde el embalaje original para poder transportar el aparato en condiciones seguras.



Esta señal advierte al usuario de la presencia de alto voltaje en el interior de la carcasa y que es de la suficiente magnitud como para producir una descarga eléctrica.



Esta señal advierte al usuario de que el manual contiene instrucciones importantes que han de leerse y seguirse al pie de la letra.

NOTA: Para asegurarse de que el aparato funcione correctamente, debe usarse en ambientes a una temperatura de entre 5°C/41°F y 35°C/95°F.



Los productos electrónicos no pueden tirarse a la basura normal. Por favor lleve este producto a un centro de reciclaje. Pregunte a la autoridad local en caso de duda. Las especificaciones son generales. Los valores actuales pueden variar de una unidad a otra. Las especificaciones pueden variar sin previo aviso.

Nunca intente reparar usted mismo este equipo. Esta manipulación anulará la garantía. No realice cambios en la unidad. Esta manipulación anulará la garantía. Esta garantía no es aplicable en caso de accidente o daños ocasionados por uso indebido del aparato o mal uso del mismo. MAX Music no se hace responsable de daños personales causados por el no seguimiento de las normas e instrucciones de este manual. Esto es aplicable también a los daños de cualquier tipo.

INSTRUCCIONES DE DESEMBALAJE

PRECAUCIÓN Desembale con cuidado la caja al recibirla. Compruebe el contenido para asegurarse de que todas las piezas están presentes y se han recibido en buenas condiciones. Notifique inmediatamente al transportista y conserve el material de embalaje si alguna pieza resulta dañada durante el transporte o si el propio paquete muestra signos de haber sido manipulado incorrectamente. Guarde el paquete y todos los materiales de embalaje. Si debe devolver el producto, es importante que lo haga en la caja y el embalaje originales de fábrica. Si el aparato ha estado expuesto a fluctuaciones drásticas de temperatura (por ejemplo, después del transporte), no lo encienda inmediatamente. El agua de condensación podría dañar el aparato. Deje el aparato apagado hasta que haya alcanzado la temperatura ambiente.

FUENTE DE ALIMENTACIÓN

La etiqueta situada en la parte inferior del producto indica a qué tipo de fuente de alimentación debe conectarse el producto. Compruebe que la tensión de red corresponde a ésta, cualquier otra tensión puede causar daños irreparables. Además, el producto debe conectarse directamente a la red eléctrica, sin regulador ni fuente de alimentación regulable.



Conecte siempre el aparato a un circuito protegido (disyuntor o fusible). Asegúrese de que el aparato dispone de una toma de tierra eléctrica adecuada para evitar el riesgo de electrocución o incendio

CONTROLES



- 1.** Pulse para encender o apagar el teclado.
- 2. MASTER VOLUME**
Pulse el botón [MASTER VOL +/-] para subir o bajar el volumen maestro.
- 3. ACCOMP VOLUME**
Hay 8 niveles de estilo de volumen de acompañamiento, el valor por defecto del sistema es 06, pulsando la tecla «+/-» se puede ajustar el volumen de acompañamiento. Pulse ambos simultáneamente para restablecer el valor por defecto.
- 4. TRANSPOSE**
Pulse el botón [TRANSPOSE +/-] para transponer el tono de las notas. La transposición puede ajustarse de «-6» a «+6». Pulsando los dos botones simultáneamente se restablece la transposición al valor por defecto.
- 5. TEMPO**
Pulse el botón [TEMPO +/-] para ajustar el tempo para el estilo, metrónomo y demo. Hay un total de 210 segmentos. El rango de ajuste es de 30 a 240. Pulsando los dos botones simultáneamente se restablece el tempo al valor por defecto de 120.
- 6. SINGLE CHORD**
En el estado en que el Estilo está activado, pulse el botón [SINGLE]. Después de que aparezca «C-1» en la pantalla, podrá tocar un solo acorde en las teclas de la zona de acordes del teclado. Pulse de nuevo el botón [SINGLE] o pulse el botón [CHORD CLEAR], en la pantalla aparecerá «OFF». La función de acorde único quedará desactivada.
- 7. FINGER CHORD**
En este modo, se tocan las notas individuales del acorde con la mano izquierda. Con el estilo activado, pulse el botón [FINGER CHORD]. Después de que aparezca «C-2» en la pantalla, podrá tocar un acorde digitado en las teclas de la zona de acordes del teclado. Pulse de nuevo el botón [FINGER CHORD] o pulse el botón [CHORD CLEAR], en la pantalla aparecerá «OFF». La función de acordes digitados quedará desactivada.
- 8. START/STOP**
Pulse este botón para iniciar o detener la reproducción del programa seleccionado.
- 9. SYNC**
Pulse el botón [SYNC] para abrir la función de acompañamiento sincronizado. Pulse las 19 teclas de la izquierda para iniciar el estilo de sincronización; si se ha iniciado la función de acordes, pulse esta tecla 19 acordes automáticos se iniciarán simultáneamente. Si el estilo se está reproduciendo, pulse este botón para detener el estilo y abrir la función de acompañamiento de sincronización. Si tiene que iniciar la función de sincronización Pulse este botón para salir.
- 10. INTRO/ENDING**
Pulse el botón [INTRO/ENDING] para iniciar la reproducción del preludio. Pase al Ritmo normal para continuar. Durante la reproducción del Ritmo pulse el botón [INTRO/ENDING] para iniciar la reproducción de un código para finalizar.

11. FILL IN

Pulse el botón **[FILL IN]** mientras se reproduce el estilo. Esta función puede insertar un puente para mejorar la interpretación, y luego continuar con el tempo original.

12. METRONOMO

Hay 4 tipos de metrónomos almacenados en el teclado: 1/4 compás, 2/4 compás, 3/4 compás y 4/4 compás. Pulse el botón **[METRONOME]** una vez para establecer el ritmo en 1/4 de tiempo, dos veces para 2/4 de tiempo, etc. pulse por quinta vez para cancelar la función.

13. PANEL PERCUSIÓN

Pulse uno de los botones de percusión. Hay 8 tipos de percusión disponibles para este teclado.

- Bloque de madera L
- Palmas
- Hi-Hat abierto
- Hi-Hat cerrado
- Snare L
- Bongó L
- Bombo H Suave
- Bombo L

14. VOICE

Este teclado ofrece 300 tipos de voces para su selección. (Apéndice I) Pulse el botón **[VOICE]** para seleccionar una voz pulsando los botones numéricos **[0-9]** o **[+ / -]**. Consulte el apéndice para ver la lista de voces.

15. STYLE

Este teclado ofrece 300 estilos para su selección. (Apéndice II) Pulse el botón **[STYLE]** para seleccionar un estilo pulsando los botones **[0-9]** o **[+ / -]**. Consulte el apéndice para ver la lista de Estilos. Pulse los números dentro del límite, de lo contrario la entrada será ineficaz.

16. SONG

Pulse el botón **[SONG]** para entrar en el modo canción. A continuación, pulse los botones numéricos para seleccionar la canción que sea su favorita. Espere un segundo y pulse el botón **[DEMO]** para iniciar la reproducción de la canción.

17. RECORD

Pulse el botón **[RECORD]** y podrá grabar la música que reproduzca.

18. PLAY

Pulse el botón **[PLAY]** para reproducir las notas o ritmos grabados.

19. PROGRAM

Pulse el botón **[PROGRAM]** para entrar en el modo de programación de Estilos.

20. DEMO

Totalmente 50 Demos, por favor vea el apéndice III para más detalles.

Pulse el botón **[DEMO]**, reproducirá canciones en modo de reproducción continua y comienza desde la canción NO. "00" a "49" o pulsando los botones **[+/-]** para elegir los números correctos de las canciones que necesite. Si desea parar, pulse de nuevo el botón **[DEMO]** o pulse el botón **[START/STOP]**.

21. TECLADO NUMÉRICO Y [- / +]

Teclas numéricas para introducir un valor exacto.

22. SUSTAIN

Pulse **[SUSTAIN]** y se activará el efecto sustain. Pulse de nuevo este botón y el efecto sustain se desactivará.

23. VIBRATO

Pulse el botón **[VIBRATO]** para obtener un sonido vibrante. Vuelva a pulsar el botón **[VIBRATO]** y se desactivará el efecto de vibración.

24. KEYBOARD SPLIT

Para el estado normal, pulse el botón **[KEYBOARD SPLIT]** para entrar en el modo de teclado doble, comenzó a separarse en dos áreas. Las 24 teclas de la izquierda del teclado son la voz preestablecida y se dividirán con el teclado restante.

Pulse el botón **[KEYBOARD SPLIT]** de nuevo para desactivar esta función.

25. TEACHING A/B

Pulse el botón **[TEACHING A/B]** para entrar en la función de teaching.

26. ALTAVOCES

Altavoces para reproducir el sonido de la música reproducida. el nivel de sonido se determina en función del ajuste de volumen

CONEXIONES

27. ENTRADA DE MICRÓFONO

Conecte un micrófono al puerto MIC para cantar mientras toca el teclado.

28. AURICULARES/SALIDA

Cuando conecte auriculares al puerto PHONES/OUTPUT, el altavoz se desactivará automáticamente. Podrás actuar sin molestar a los demás y sin que otros te molesten a ti.

30. ENTRADA CC

Toma para enchufar el adaptador de 9 V suministrado.



ANTES DE EMPEZAR

ALIMENTACIÓN ELÉCTRICA:

- **Utilización del adaptador AC-DC:**

Utilice el adaptador de corriente especial que viene equipado con este teclado electrónico o un adaptador de corriente con voltaje de salida DC 9V 500m A. Inserte el enchufe DC o el adaptador de corriente en la toma de corriente DC 9V en el panel trasero del teclado electrónico, inserte el otro extremo en la toma Main, encienda el interruptor de alimentación y comience a tocar.

- **Uso de pilas (no incluidas):**

Abra la tapa del compartimento de las pilas situada en el panel inferior del teclado electrónico. Inserte 6 pilas AA, teniendo cuidado de seguir las marcas de polaridad de la carcasa. Vuelva a colocar la tapa del compartimento, asegurándose de que encaja firmemente en su sitio.

- Coloque el atril en la ranura del teclado.

GRABACIÓN

- Pulse el botón **[RECORD]** para entrar en el modo de grabación. Pulse cualquier tecla para iniciar la grabación. El número máximo de tonos de grabación es 48. Cuando la pantalla muestre «Full» no podrá continuar la grabación de la siguiente nota.
- Pulse el botón **[PLAY]** para reproducir la música grabada. La pantalla mostrará «Ply». Pulse grabar de nuevo para salir de la grabación e iniciar una nueva.
- Pulse el botón **[PROG]** para activar la función de programación de ritmos, en la pantalla aparecerá «Prg» y se activará la función de percusión del teclado. Se pueden programar 32 percusiones como máximo, después aparecerá «FUL» en la pantalla y la programación se detendrá automáticamente. Pulse el botón **[PLAY]** para reproducir el ritmo programado. Pulse el botón **[START/STOP]** o vuelva a pulsar el botón **[PROG]** para desactivar la función de programación. Se eliminarán todos los ritmos grabados.

FUNCIÓN DE ENSEÑANZA

El botón **[SONG]** puede ayudar a entrar en el modo de enseñanza y selección de demo fácilmente.

- Pulse el botón **[SONG]**. A continuación, pulse el número para seleccionar la canción que desea aprender. Espere un segundo y pulse el botón **[TEACHING A]** o el botón **[TEACHING B]** para iniciar el aprendizaje.
- **Teaching A:** aprendiendo a tocar un disco correctamente o no, emitirá el sonido correcto, y continuará tocando la canción.
- **Teaching B:** siga la pantalla de acuerdo tot las notas correctas, jugar a entrar automáticamente en la siguiente nota.

APÉNDICE I (VOICE)

0 Acoustic Grand Piano	75 Pan Flute	150 Magic Electronic	225 Baritone Sax ensemble
1 Bright Acoustic Piano	76 Bottle Blow	151 Bright violin	226 Crystal Sax
2 Electric Grand Piano	77 Shakuhachi	152 Atonic Violin	227 Soft Baritone Sax
3 Honky-tonk Piano	78 Whistle	153 Heavy 151 Bright Violin	228 Synth Baritone Sax
4 Rhodes Piano	79 Ocarina	154 Synth Clarinet	229 Heavy metal Sax
5 Chorused Piano	80 Lead 1 (square)	155 Interactive Lead	230 Church Oboe
6 Harpsichord	81 Lead 2 (sawtooth)	156 For the keyboard	231 Oboe ensemble
7 Clavichord	82 Lead 3 (caliopo lead)	157 Bagpipes	232 Bass Oboe
8 Celesta	83 Lead 4 (chiff lead)	158 Suona	233 Bright Oboe
9 Glockenspiel	84 Lead 5 (charang)	159 Pipa	234 distortio oboe
10 Music man	85 Lead 6 (voice)	160 Church Piano	235 English Horn ensemble
11 Vibraphone	86 Lead 7 (fifths)	161 Church electric Piano	236 Pizzicato English Horn
12 Marimba	87 Lead 8 (bass+lead)	162 Synth Piano	237 Diplophonia English Horn
13 Xylophone	88 Pad 1 (new age)	163 Baritone Piano	238 Bright English Horn
14 Tubular Bells	89 Pad 2 (warm)	164 Piano PAD	239 Synth English Horn
15 Dulcimer	90 Pad 3 (polysynth)	165 String Piano	240 Psychedelic Synth Lead
16 Hammond Organ	91 Pad 4 (choir)	166 Metal Piano	241 Vibraphone Synth Lead
17 Percussive Organ	92 Pad 5 (bowed)	167 Light rhythm Piano	242 Marimba Synth Lead
18 Rock Organ	93 Pad 6 (metallic)	168 electric Piano Pad	243 Metal FX
19 Church Organ	94 Pad 7 (halo)	169 Classical piano	244 Electronic FX
20 Reed Organ	95 Pad 8 (sweep)	170 Guitar organ	245 Electronic String Ensemble
21 Accordion	96 FX 1 (rain)	171 An electric guitar	246 Wind FX
22 Harmonica	97 FX 2 (soundtrack)	172 synthesis Nylon Guitar	247 Clarinet FX
23 Tango Accordion	98 FX 3 (crystal)	173 Synthetic electronic guitar	248 Organ FX
24 Acoustic Guitar (nylon)	99 FX 4 (atmosphere)	174 Bright clean Guitar	249 Crystal FX
25 Acoustic Guitar (steel)	100 FX 5 (brightness)	175 Orchestra Guitar	250 Synth Shamisen
26 Electric Guitar (jazz)	101 FX 6 (goblins)	176 Psychedelic Guitar	251 Electronic Shamisen
27 Electric Guitar (clean)	102 FX 7 (echoes)	177 Bright Organ	252 Bright Sitar
28 Electric Guitar (muted)	103 FX 8 (sci-fi)	178 Pick Organ	253 Whistle Accord
29 Overdriven Guitar	104 Sitar	179 Synth Accordion	254 rhythm Nation
30 Distortion Guitar	105 Banjo	180 Bright Violin	255 Bright Koto
31 Guitar Harmonics	106 Shamisen	181 Stringed Violin	256 Koto Lead
32 Acoustic Bass	107 Koto	182 Trill Violin	257 Diplophonia Koto
33 Electric Bass(finger)	108 Kalimba	183 Electronic Violin	258 Baritone Koto
34 Electric Bass (pick)	109 Bagpipe	184 Large Violin	259 Synth Koto
35 Fretless Bass	110 Fiddle	185 rhythm Orchestra	260 Environmental Lead
36 Slap Bass 1	111 Shanai	186 Pizzicato Violin	261 Metal Lead
37 Slap Bass 2	112 Tinkle Bell	187 Pizzicato Ensemble 1	262 Orchestra Lead
38 Synth Bass 1	113 Agogo	188 Pizzicato Ensemble 2	263 Glockenspiel Lead
39 Synth Bass 2	114 Steel Drums	189 Percussion Band	264 Bass Lead
40 Violin	115 Woodblock	190 Baritone Synth Contrabass	265 Fifths Lead
41 Viola	116 Taiko Drum	191 Bass Flute	266 Wind Lead
42 Cello	117 Melodic Tom	192 Distortion Contrabass	267 Atmosphere Lead
43 Contra Bass	118 Synth Drum	193 Contrabass Lead	268 Sharp Lead
44 Tremolo Strings	119 Reverse Cymbal	194 Violin Lead	269 Bright Lead
45 Pizzicato Strings	120 Guitar Fret Noise	195 Cello Lead	270 East Nation Pad
46 Orchestral Harp	121 Breath Noise	196 Pizzicato Rhythm	271 Atmosphere Pad
47 Timpani	122 Seashore	197 High Harp	272 Electric bass Pad
48 String Ensemble 1	123 Bird Tweet	198 Harp ensemble	273 electric Piano Pad
49 String Ensemble 2	124 Telephone Ring	199 Synth Harp	274 Clean Guitar Pad
50 Synth Strings 1	125 Helicopter	200 Baritone Trumpet	275 Western Pad
51 Synth Strings 2	126 Applause	201 Trumpet ensemble	276 Sci-fi Pad
52 Choir Aahs	127 Gunshot	202 Rhythm Trumpet	277 Metal Sci-fi Pad
53 Voice Oohs	128 Percussion	203 High Trumpet	278 Clarinet Pad
54 Synth Voice	129 Rhythm electric Piano	204 Synth Trumpet	279 Electronic dance Pad
55 Orchestra Hit	130 Baritone Xylophone	205 Baritone Trombone	280 Double Kalimba
56 Trumpet	131 Clean Piano	206 Trombone ensemble	281 Bright Kalimba
57 Trombone	132 Bright Dulcimer	207 Rhythm Trombone	282 Crystal Kalimba
58 Tuba	133 Rhythm Grand Piano	208 High Trombone	283 Synth Kalimba
59 Muted Trumpet	134 Traditional Piano	209 Baritone Trombone	284 Electronic Bagpipe
60 French Horn	135 Aluminium jean	210 Synth Trombone	285 Wind Bagpipe
61 Brass Section	136 Rock Grand Piano	211 Violin French Horn	286 High Bagpipe
62 Synth Brass 1	137 Electronic organ	212 French Horn ensemble	287 Bright Bagpipe
63 Synth Brass 2	138 Psychedelic electronic	213 Electronic French Horn	288 Orchestra Bagpipe
64 Soprano Sax	139 Water jean	214 Synth French Horn	289 Baritone Bagpipe
65 Alto Sax	140 Bright Guitar	215 Psychedelic Synth Brass	290 Environmental Shanai
66 Tenor Sax	141 Orchestra piccolo	216 Distortion Synth Brass	291 Baritone Shanai
67 Baritone Sax	142 Heavy metal guitar	217 Vibraphone Synth Brass	292 Tenor Shanai
68 Oboe	143 Crystal guitar	218 Rock Synth Brass	293 high Shanai
69 English Horn	144 Queer electric Piano	219 Synth Muted Trumpet	294 Synth Shanai
70 Bassoon	145 Bright bass	220 Soprano Sax ensemble	295 Bright Steel Drums
71 Clarinet	146 Rock Electric Bass	221 rhythm Soprano Sax	296 Steel Drums Lead
72 Piccolo	147 Rhythm Electric Bass	222 Synth Soprano Sax	297 Lyric Steel Drums
73 Flute	148 Psychedelic Bass	223 National Sax	298 Orchestra Steel Drums
74 Recorder	149 Heavy Metal Bass	224 Metal Sax	299 Synth Steel Drums

APÉNDICE II (STYLE)

00 Beat 1	75 Mambo	150 Heavy Metal Rock 2	225 Progressive House
01 Beat 2	76 Samba	151 70' Rock	226 Epic House
02 Beat 3	77 Reggae	152 80' Rock	227 Trible House
03 Beat 4	78 Rhumba	153 Middle Eastern Rock	228 Big Beat
04 Beat 5	79 Tango	154 Traditional Rock	229 Down Tempo
05 Beat 6	80 Habanera	155 Rock Disco	230 Electro 1
06 Beat 7	81 March 1	156 Modern Dance 1	231 Electro 2
07 Beat 8	82 March 2	157 Modern Dance 2	232 Electro 3
08 Beat 9	83 Polka 1	158 Modern Dance 3	233 House Dance
09 Beat 10	84 Polka 2	159 Modern Dance 4	234 Idm
10 Beat 11	85 Polka 3	160 Modern Dance 5	235 Jungle Drum
11 Beat 12	86 Vallenato	161 New Century 1	236 Techno
12 Beat 13	87 Waltz 1	162 New Century 2	237 Trance
13 Beat 14	88 Waltz 2	163 New Century 3	238 Trip-Hop
14 Rock 1	89 Waltz 3	164 Rock Dance 1	239 Experimental Electronic
15 Rock 2	90 Pop	165 Rock Dance 2	240 Western Swing
16 Cntr Rock	91 Love Ballad	166 Psyche Delic 1	241 Alt-Country
17 Country Rock	92 Easy Beat	167 Psyche Delic 2	242 Americana
18 Dance Rock	93 Soft Beat	168 Soft Rock	243 Charanga
19 Easy Rock	94 Shuffle	169 Post Rock	244 Tropical
20 Glam Rock	95 Cobmo	170 Goth Psychedelic	245 Ambient
21 Hard Rock 1	96 Shuffle 1	171 Soul Psychedelic 1	246 Punk Metal
22 Hard Rock 2	97 Shuffle 2	172 Soul Psychedelic 2	247 Experimental Rock
23 Pop_Rock	98 Slow Folk	173 Soul Psychedelic 3	248 Noise-Rock
24 Rock+Roll	99 Step	174 Soul Psychedelic 4	249 Celtic New Age
25 Rock Beat	100 Euro Pop	175 Psychedelic Swing	250 Ethnic Fusion
26 Rock Folk	101 Bachata Beat 1	176 Country Blues	251 Techno-Tribal
27 Rocky Pop	102 Bachata Beat 2	177 Electric Blues	252 Experimental
28 Dance 1	103 Africa Bossanova	178 Folk Blues	253 Minimalism
29 Dance 2	104 China Dance	179 Jazz Blues	254 Traditional Pop
30 Dance 3	105 Pop Beat	180 Jump Blues	255 Noise
31 Dance 4	106 Vienna Waltz	181 New Orleans Blues	256 Classical Beat 1
32 Dance 5	107 Africa Beat	182 New York Blues	257 Classical Beat2
33 Dance 6	108 Africa Mambo	183 Piano Blues	258 Classical Beat 3
34 Dance 7	109 Euro March 1	184 Soul Blues	259 Classical Beat 4
35 Dance 8	110 Euro March 2	185 Urban Blues	260 Classical Beat 5
36 Dance 9	111 Euro Merengue 1	186 Afro Beat	261 Classical Beat 6
37 Dance 10	112 Euro Merengue 2	187 Afro Pop	262 Classical Beat 7
38 Soul Funk	113 Mideast Dance	188 Celtic Pop	263 Classical Beat 8
39 Euro Soul	114 Africa Dance	189 Hawaiian Pop	264 Classical Beat 9
40 Funky Soul	115 Pop Samba 1	190 Indian Pop	265 Classical Beat 10
41 Funky Soul 2	116 Pop Samba 2	191 European Traditions	266 Classical Beat 11
42 Funky Soul 3	117 Africa Reggae	192 World Fusion	267 Classical Beat 12
43 Funky Soul 4	118 Euro Rhumba 1	193 DouJin	268 Classical Beat 13
44 Funky Soul 5	119 Euro Rhumba 2	194 Shima Uta	269 Classical Beat 14
45 Slow Soul 1	120 India Samba 1	195 Enka	270 Contemporary R&B 1
46 Slow Soul 2	121 India Samba 2	196 Japanese Folk Music	271 Contemporary R&B 2
47 Soul	122 Jazz Soul	197 Middle East Pop	272 Contemporary R&B
48 Big Band 1	123 Country Swing 1	198 Pop Baiao	273 Contemporary R&B4
49 Big Band 2	124 Country Swing 2	199 Pop Bequine	274 Contemporary R&B5
50 Blue Grass	125 Country Swing 3	200 New Age Latin	275 Deep Funk
51 Jazz Samba	126 Pop Waltz	201 New Bossanova	276 Doo Wop
52 Jazz Waltz	127 Pop Classic	202 Rock Lambada	277 Left-Field Hip-Hop
53 Jazz 1	128 Oriental Beat 1	203 Blues Mambo	278 Motown
54 Jazz 2	129 Oriental Beat 2	204 Pop Samba	279 Neo-Soul 1
55 Swing 1	130 Oriental Beat 3	205 Reggae Ballad	280 Neo-Soul 2
56 Swing 2	131 Oriental Beat 4	206 Pop Rhumba	281 Neo-Soul 3
57 Swing 3	132 Oriental Beat 5	207 Rock Tango	282 New Jack Swing
58 Country 1	133 Oriental Beat 6	208 Brit Pop 1	283 Urban
59 Country 2	134 Oriental Beat 7	209 Brit Pop.2	284 Contemporary Instrumental
60 Country 3	135 Oriental Beat 8	210 Brit Pop 3	285 Meditation
61 Country 4	136 Oriental Beat 9	211 Brit Pop 4	286 Neo-Classical 1
62 Country Waltz 1	137 Oriental Beat 10	212 Trip Hop 1	287 Neo-Classical 2
63 Country Waltz 2	138 Oriental Beat 11	213 Trip Hop 2	288 Neo-Classical 3
64 Country 5	139 Oriental Beat 12	214 Chamber Pop	289 New Acoustic
65 Country 6	140 Oriental Beat 13	215 Brit Pop Waltz 1	290 Solo Instrumental
66 Country 7	141 Oriental Beat 14	216 Brit Pop Waltz 2	291 Space
67 Slow Country 1	142 Jazz Rock 1	217 Brit Pop Waltz 3	292 Spiritual
68 Slow Country 2	143 Jazz Rock 2	218 Classical Ballad 1	293 Rock New Age
69 Soul Country	144 Soft Rock	219 Classical Ballad 2	294 Ragtime
70 Baiao	145 Classic Rock	220 Light Ballad	295 Bebop or Bop
71 Bequine	146 Folk Rock 1	221 Rhythm Ballad	296 Cool Jazz
72 Bolero	147 Folk Rock 2	222 Hard House	297 Free Jazz
73 Bossanova	148 Waltz Rock	223 Deep House	298 Jazz-Rock & Fusion
74 Lambada	149 Heavy Metal Rock 1	224 Acid House	299 Jazz Funk

APÉNDICE III (DEMO SONGS)

No.	The name of song	No.	The name of song	No.	The name of song
00	London Bridge Is Falling Down	17	Hand in hand	34	Prom queen
01	Fantasy	18	Two hundred and fourteen	35	Ni Mengruoze
02	The twist	19	Fkey	36	Nen blauen Donau
03	Butter fly	20	Mozart Symphonies	37	Hawthorn
04	Paddle a canoe	21	The girl's Prayer	38	Mary had a little lamb
05	Country songs	22	Nocturne	39	Yellow ribbon
06	Rhythm of the rain	23	Another day in paradise	40	Toreador Song
07	Serenade	24	Red River Valley	41	Radetzky march
08	Bluegrass Music	25	Green sleeves	42	Radiant
09	Music moment	26	Mozart Piano Sonatas	43	Long Long Ago
10	Merry Christmas	27	Orange and lemon	44	Katyusha
11	American Patrol	28	Hallelujah	45	Susanna
12	Flower	29	Minuet	46	Little star
13	Pour Elise	30	Handshake	47	I Don't Care
14	Direct seeding	31	Rain	48	Minuet in G major
15	Turkey March	32	Pamela	49	Carman Overture
16	A cradle	33	Bnnie Edgar		

FRANÇAIS

Nous vous remercions d'avoir acheté un produit MAX Music. Veuillez lire la présente notice avant l'utilisation afin de pouvoir en profiter pleinement. Veuillez lire la notice avant toute utilisation. Respectez impérativement les instructions afin de continuer à bénéficier de la garantie. Prenez toutes les précautions nécessaires pour éviter tout incendie ou décharge électrique. Seul un technicien spécialisé peut effectuer les réparations. Nous vous conseillons de conserver la présente notice pour pouvoir vous y reporter ultérieurement.

- Avant d'utiliser l'appareil, prenez conseil auprès d'un spécialiste. Lors de la première mise sous tension, il est possible qu'une odeur soit perceptible. C'est normal, l'odeur disparaîtra peu de temps après.
- L'appareil contient des composants porteurs de tension. N'OUVREZ JAMAIS le boîtier.
- Ne placez pas des objets métalliques ou du liquide sur l'appareil, cela pourrait causer des décharges électriques et dysfonctionnements.
- Ne placez pas l'appareil à proximité de sources de chaleur, par exemple radiateur. Ne positionnez pas l'appareil sur une surface vibrante. N'obturez pas les ouïes de ventilation.
- L'appareil n'est pas conçu pour une utilisation en continu.
- Faites attention au cordon secteur, il ne doit pas être endommagé.
- Lorsque vous débranchez l'appareil de la prise secteur, tenez-le par la prise, ne tirez jamais sur le cordon.
- Ne branchez pas et ne débranchez pas l'appareil avec les mains mouillées.
- Seul un technicien spécialisé peut remplacer la fiche secteur et / ou le cordon secteur.
- Si l'appareil est endommagé et donc les éléments internes sont visibles, ne branchez pas l'appareil, NE L'ALLUMEZ PAS. Contactez votre revendeur. NE BRANCHEZ PAS l'appareil à un rhéostat ou un dimmer.
- Pour éviter tout risque d'incendie ou de décharge électrique, n'exposez pas l'appareil à la pluie ou à l'humidité.
- Seul un technicien habilité et spécialisé peut effectuer les réparations
- Branchez l'appareil à une prise secteur 220-240 Vac/50 Hz avec terre, avec un fusible 10-16 A.
- Pendant un orage ou en cas de non-utilisation prolongée de l'appareil, débranchez l'appareil du secteur.
- En cas de non-utilisation prolongée de l'appareil, de la condensation peut être créée. Avant de l'allumer, laissez l'appareil atteindre la température ambiante. Ne l'utilisez jamais dans des pièces humides ou en extérieur.
- Afin d'éviter tout accident en entreprise, vous devez respecter les conseils et instructions.
- N'allumez pas et n'éteignez pas l'appareil de manière répétée. Cela réduit sa durée de vie.
- Conservez l'appareil hors de la portée des enfants. Ne laissez pas l'appareil sans surveillance.
- N'utilisez pas d'aérosols pour nettoyer les interrupteurs. Les résidus créent des dépôts et de la graisse. En cas de dysfonctionnement, demandez conseil à un spécialiste.
- Ne forcez pas les réglages.
- L'appareil contient un haut-parleur pouvant engendrer des champs magnétiques. Tenez cet appareil à 60 cm au moins d'un téléviseur ou ordinateur.
- Si le produit comprend un accumulateur intégré plomb-acide, rechargez l'accumulateur tous les 3 mois en cas de non-utilisation prolongée de l'appareil. Sinon, l'accumulateur pourrait être endommagé de manière permanente.
- Si l'accumulateur est endommagé, remplacez-le par un accumulateur de même type et déposez l'ancien accumulateur dans un container de recyclage adapté.
- Si l'appareil est tombé, faites-le toujours vérifier par un technicien avant de le rallumer.
- Pour nettoyer l'appareil, n'utilisez pas de produits chimiques qui abîment le revêtement, utilisez uniquement un tissu sec.
- Tenez toujours l'appareil éloigné de tout équipement électrique pouvant causer des interférences.
- Pour toute réparation, il faut impérativement utiliser des pièces d'origine, sinon il y a risque de dommages graves et / ou de radiations dangereuses.
- Eteignez toujours l'appareil avant de le débrancher du secteur et de tout autre appareil. Débranchez tous les cordons avant de déplacer l'appareil.
- Assurez-vous que le cordon secteur n'est pas abîmé si des personnes viennent à marcher dessus. Avant toute utilisation, vérifiez son état.
- La tension d'alimentation est de 220-240Vac/50 Hz. Vérifiez la compatibilité. Si vous voyagez, vérifiez que la tension d'alimentation du pays est compatible avec l'appareil.
- Conservez l'emballage d'origine pour pouvoir transporter l'appareil en toute sécurité.



Ce symbole doit attirer l'attention de l'utilisateur sur les tensions élevées présentes dans le boîtier de l'appareil, pouvant engendrer une décharge électrique.



Ce symbole doit attirer l'attention de l'utilisateur sur des instructions importantes détaillées dans la notice, elles doivent être lues et respectées.

Cet appareil porte le symbole CE. Il est interdit d'effectuer toute modification sur l'appareil. La certification CE et la garantie deviendraient caduques !

NOTE: Pour un fonctionnement normal de l'appareil, il doit être utilisé en intérieur avec une plage de température maximale autorisée entre 5°C/41°F et 35°C/95°F.



Ne jetez pas les produits électriques dans la poubelle domestique. Déposez-les dans une déchèterie. Demandez conseil aux autorités ou à votre revendeur. Données techniques réservées. Les valeurs actuelles peuvent varier d'un produit à l'autre. Tout droit de modification réservé sans notification préalable.

N'essayez pas de réparer l'appareil vous-même. Vous perdriez tout droit à la garantie. Ne faites aucune modification sur l'appareil. Vous perdriez tout droit à la garantie. La garantie deviendrait également caduque en cas d'accidents ou dommages causés par une utilisation inappropriée de l'appareil ou un non-respect des consignes présentes dans cette notice. MAX Music ne pourrait être tenu responsable en cas de dommages matériels ou corporels causés par un non-respect des consignes de sécurité et avertissements. Cela est également valable pour tous les dommages quelle que soit la forme.

INSTRUCTIONS DE DÉBALLAGE

ATTENTION Déballez soigneusement la boîte dès réception. Vérifiez le contenu pour vous assurer que toutes les pièces sont présentes et qu'elles ont été reçues en bon état. Notifiez immédiatement l'expéditeur et conservez les matériaux d'emballage si des pièces semblent endommagées par le transport ou si l'emballage lui-même présente des signes de mauvaise manipulation. Conservez l'emballage et tous les matériaux d'emballage. Si le produit doit être renvoyé, il est important qu'il le soit dans la boîte et l'emballage d'origine. Si l'appareil a été exposé à de fortes variations de température (par exemple après le transport), ne l'allumez pas immédiatement. L'eau de condensation qui en résulterait pourrait endommager votre appareil. Laissez l'appareil éteint jusqu'à ce qu'il ait atteint la température ambiante.

ALIMENTATION

L'étiquette située sous le produit indique à quel type d'alimentation électrique le produit doit être raccordé. Vérifiez que la tension du réseau correspond à celle-ci, toute autre tension pouvant entraîner des dommages irréparables. Le produit doit également être branché directement sur le secteur, sans variateur ni alimentation réglable.



Branchez toujours l'appareil sur un circuit protégé (disjoncteur ou fusible). Assurez-vous que l'appareil dispose d'une mise à la terre électrique appropriée afin d'éviter tout risque d'électrocution ou d'incendie.

OPERATION



1. Appuyez sur pour activer/désactiver le clavier.
2. **MASTER VOLUME**
Appuyez sur le bouton **[MASTER VOL +/-]** pour augmenter ou diminuer le volume principal.
3. **ACCOMP VOLUME**
Il y a 8 niveaux de volume d'accompagnement, la valeur par défaut du système est 06, en appuyant sur la touche « +/- » le volume d'accompagnement peut être ajusté. Appuyer simultanément sur les deux touches pour rétablir la valeur para défaut.
4. **TRANPOSE**
Appuyez sur le bouton **[TRANPOSE +/-]** pour transposer la tonalité des notes. La transposition peut être réglée de « -6 » à « +6 ». Le fait d'appuyer simultanément sur les deux boutons réinitialise la transposition à la valeur para défaut.
5. **TEMPO**
Appuyez sur le bouton **[TEMPO +/-]** pour régler le tempo pour le style, le métronome et la démo. Il y a au total 210 segments. La plage de réglage est comprise entre 30 et 240. Une pression simultanée sur les deux boutons réinitialise le tempo à la valeur para défaut de 120.
6. **SINGLE CHORD**
Lorsque le style est activé, appuyez sur le bouton **[SINGLE]**. Après l'affichage de « C-1 », vous pouvez jouer un accord simple sur les touches de la zone d'accord du clavier. Appuyez à nouveau sur le bouton **[SINGLE]** ou sur le bouton **[CHORD CLEAR]**, « OFF » apparaît à l'écran. La fonction d'accord simple est désactivée.
7. **FINGER CHORD**
Dans ce mode, vous jouez les notes individuelles de l'accord de la main gauche. Lorsque le style est activé, appuyez sur le bouton **[FINGER CHORD]**. Une fois que « C-2 » s'affiche à l'écran, vous pouvez jouer un accord de doigté sur les touches de la zone d'accord du clavier. Appuyez à nouveau sur le bouton **[FINGER CHORD]** ou sur le bouton **[CHORD CLEAR]**, « OFF » apparaît à l'écran. La fonction d'accord doigté est désactivée.
8. **START/STOP**
Appuyez sur cette touche pour démarrer ou arrêter la lecture du programme sélectionné.
9. **SYNC**
Appuyez sur le bouton **[SYNC]** pour ouvrir la fonction d'accompagnement synchronisé. Appuyez sur les 19 touches de gauche pour lancer le style de synchronisation ; si la fonction d'accord a été lancée, appuyez sur ces 19 touches pour lancer simultanément l'accord automatique. Si le style est en cours de lecture, appuyez sur ce bouton pour arrêter le style et ouvrir la fonction d'accompagnement synchronisé. Si vous devez démarrer la fonction de synchronisation. Appuyez sur ce bouton pour quitter.

10. INTRO/ENDING

Appuyez sur le bouton **[INTRO/ENDING]** pour commencer à jouer le prélude. Passez au rythme régulier pour continuer. Pendant la lecture du rythme, appuyez sur le bouton **[INTRO/ENDING]** pour lancer la lecture d'un code de fin.

11. FILL IN

Appuyez sur le bouton **[FILL IN]** pendant la lecture du style. Cette fonction permet d'insérer un pont pour améliorer la performance, puis de reprendre le tempo d'origine.

12. METRONOME

Il existe 4 types de métronomes enregistrés sur le clavier : 1/4 de temps, 2/4 de temps, 3/4 de temps et 4/4 de temps.

Appuyez une fois sur le bouton **[METRONOME]** pour régler le rythme sur 1/4 de temps, deux fois pour 2/4 de temps, etc.

13. PANNEAU PERCUSSION

Appuyez sur l'une des touches de percussion. Il existe 8 types de percussions disponibles pour ce clavier.

- Bloc de bois L
- Claquement de main
- Chapeau ouvert
- Charleston fermé
- Caisse claire L
- Bongo L
- Grosse caisse H Douce
- Grosse caisse L

14. VOICE

Ce clavier propose 300 types de voix pour votre sélection. (Annexe I) Appuyez sur le bouton **[VOICE]** pour sélectionner une voix en appuyant sur les boutons **[0-9]** ou **[+ / -]**. Reportez-vous à l'annexe pour obtenir la liste des voix.

15. STYLE

Ce clavier propose 300 styles pour votre sélection. (Annexe II) Appuyez sur le bouton **[STYLE]** pour sélectionner un style en appuyant sur les boutons **[0-9]** ou **[+ / -]**. Reportez-vous à l'annexe pour obtenir la liste des styles. Appuyez sur les chiffres dans la limite autorisée, sinon la saisie est inefficace.

16. SONG

Appuyez sur le bouton **[SONG]** pour passer en mode morceau. Appuyez ensuite sur les touches numériques pour sélectionner votre chanson préférée. Attendez une seconde, puis appuyez sur le bouton **[DEMO]** pour lancer la lecture de la chanson.

17. RECORD

Appuyez sur le bouton **[RECORD]** pour enregistrer la musique que vous jouez.

18. PLAY

Appuyez sur le bouton **[PLAY]** pour lire les notes ou les rythmes enregistrés.

19. PROGRAM

Appuyez sur le bouton **[PROGRAM]** pour accéder au mode de programmation du style.

20. DEMO

Au total, 50 démos, voir l'annexe III pour plus de détails.

Appuyez sur la touche **[DEMO]** pour lire les chansons en mode de lecture continue et commencez à partir de la chanson N° "00" à "49" ou en appuyant sur les touches **[+ / -]**. Appuyez sur la touche **[DEMO]** pour lire les chansons en mode continu et commencez par les numéros de chansons "00" à "49" ou en appuyant sur les touches **[+ / -]** pour choisir les numéros des chansons dont vous avez besoin. Si vous souhaitez arrêter, appuyez à nouveau sur la touche **[DEMO]** ou sur la touche **[START/STOP]**.

21. PAVÉ NUMÉRIQUE ET [- / +]

Touches numériques pour saisir une valeur précise.

22. SUSTAIN

Appuyez sur **[SUSTAIN]** pour activer l'effet de sustain. Appuyez à nouveau sur ce bouton pour désactiver l'effet de sustain.

23. VIBRATO

Appuyez sur le bouton **[VIBRATO]** pour obtenir un son vibrant. Appuyez à nouveau sur le bouton **[VIBRATO]** pour désactiver l'effet de vibration.

24. KEYBOARD SPLIT

En mode normal, appuyez sur le bouton **[KEYBOARD SPLIT]** pour passer en mode double clavier, qui commence à se séparer en deux zones. Les 24 touches situées à gauche du clavier correspondent à la voix prédéfinie et seront séparées avec le reste du clavier.

Appuyez à nouveau sur le bouton **[KEYBOARD SPLIT]** pour désactiver cette fonction.

25. TEACHING A/B

Appuyez sur le bouton **[TEACHING A/B]** pour accéder à la fonction d'apprentissage.

26. HAUT-PARLEURS

Haut-parleurs destinés à reproduire le son de la musique jouée. Le niveau sonore est déterminé en fonction du réglage du volume.

CONNEXIONS

27. ENTRÉE MICROPHONE

Connectez un microphone au port MIC pour chanter tout en jouant du clavier.

28. CASQUE/SORTIE

Lorsque vous connectez un casque au port PHONES/OUTPUT, le haut-parleur est automatiquement désactivé. Vous pouvez jouer sans déranger les autres et sans que les autres vous dérangent.

29. ENTRÉE C.C.

Prise pour brancher l'adaptateur 9V fourni.



AVANT DE COMMENCER

MISE SOUS TENSION:

• Utilisation d'un adaptateur AC-DC:

Utilisez l'adaptateur d'alimentation spécial fourni avec ce clavier électronique ou un adaptateur d'alimentation avec une tension de sortie de 9V DC 500mA. Insérez la fiche DC ou l'adaptateur d'alimentation dans la prise d'alimentation DC 9V sur le panneau arrière du clavier électronique, insérez l'autre extrémité dans la prise principale, allumez l'interrupteur d'alimentation et commencez l'exécution.

• Utilisation de piles (non incluses):

Ouvrez le couvercle du compartiment à piles situé sur le panneau inférieur du clavier électronique. Insérez 6 piles AA en respectant la polarité indiquée sur le boîtier. Replacer le couvercle du compartiment en veillant à ce qu'il s'enclenche fermement.

- Placer le pupitre dans l'emplacement du clavier.

ENREGISTREMENT

- Appuyez sur la touche **[RECORD]** pour passer en mode d'enregistrement. Appuyez sur n'importe quelle touche pour lancer l'enregistrement. Le nombre maximum de sonorités enregistrables est de 48. Lorsque l'écran affiche "Full", il n'est pas possible de poursuivre l'enregistrement de la note suivante.
- Appuyez sur la touche **[PLAY]** pour lire la musique enregistrée. L'écran affiche "Ply". Appuyez à nouveau sur record pour quitter l'enregistrement et commencer un nouvel enregistrement.
- Appuyez sur le bouton **[PROG]** pour activer la fonction de programmation rythmique, "Prg" s'affiche à l'écran et la fonction de percussion du clavier est activée. 32 percussions peuvent être programmées au maximum, après quoi "FUL" apparaît à l'écran et la programmation s'arrête automatiquement. Appuyez sur le bouton **[PLAY]** pour lire le rythme de programmation. Appuyez sur le bouton **[START/STOP]** ou appuyez à nouveau sur le bouton **[PROG]** pour désactiver la fonction de programmation. Tous les rythmes enregistrés seront supprimés.

FONCTION D'ENSEIGNEMENT

Le bouton **[SONG]** permet d'accéder facilement au mode d'apprentissage et de sélection des démos.

- Appuyez sur le bouton **[SONG]**. Appuyez ensuite sur le numéro pour sélectionner le morceau que vous souhaitez apprendre. Attendez une seconde, puis appuyez sur le bouton **[TEACHING A]** ou le bouton **[TEACHING B]** pour commencer votre apprentissage.
- **Teaching A:** apprendre à jouer un disque correctement ou non, émettra le bon son, et continuera à jouer la chanson.
- **Teaching B:** suivre l'affichage en fonction des notes correctes, jouer pour entrer automatiquement la note suivante.

ANNEXE I (VOICE)

0 Acoustic Grand Piano	75 Pan Flute	150 Magic Electronic	225 Baritone Sax ensemble
1 Bright Acoustic Piano	76 Bottle Blow	151 Bright violin	226 Crystal Sax
2 Electric Grand Piano	77 Shakuhachi	152 Atonic Violin	227 Soft Baritone Sax
3 Honky-tonk Piano	78 Whistle	153 Heavy 151 Bright Violin	228 Synth Baritone Sax
4 Rhodes Piano	79 Ocarina	154 Synth Clarinet	229 Heavy metal Sax
5 Chorused Piano	80 Lead 1 (square)	155 Interactive Lead	230 Church Oboe
6 Harpsichord	81 Lead 2 (sawtooth)	156 For the keyboard	231 Oboe ensemble
7 Clavichord	82 Lead 3 (caliope lead)	157 Bagpipes	232 Bass Oboe
8 Celesta	83 Lead 4 (chiff lead)	158 Suona	233 Bright Oboe
9 Glockenspiel	84 Lead 5 (charang)	159 Pipa	234 distortio oboe
10 Music man	85 Lead 6 (voice)	160 Church Piano	235 English Horn ensemble
11 Vibraphone	86 Lead 7 (fifths)	161 Church electric Piano	236 Pizzicato English Horn
12 Marimba	87 Lead 8 (bass+lead)	162 Synth Piano	237 Diplophonia English Horn
13 Xylophone	88 Pad 1 (new age)	163 Baritone Piano	238 Bright English Horn
14 Tubular Bells	89 Pad 2 (warm)	164 Piano PAD	239 Synth English Horn
15 Dulcimer	90 Pad 3 (polysynth)	165 String Piano	240 Psychedelic Synth Lead
16 Hammond Organ	91 Pad 4 (choir)	166 Metal Piano	241 Vibraphone Synth Lead
17 Percussive Organ	92 Pad 5 (bowed)	167 Light rhythm Piano	242 Marimba Synth Lead
18 Rock Organ	93 Pad 6 (metallic)	168 electric Piano Pad	243 Metal FX
19 Church Organ	94 Pad 7 (halo)	169 Classical piano	244 Electronic FX
20 Reed Organ	95 Pad 8 (sweep)	170 Guitar organ	245 Electronic String Ensemble
21 Accordion	96 FX 1 (rain)	171 An electric guitar	246 Wind FX
22 Harmonica	97 FX 2 (soundtrack)	172 synthesis Nylon Guitar	247 Clarinet FX
23 Tango Accordion	98 FX 3 (crystal)	173 Synthetic electronic guitar	248 Organ FX
24 Acoustic Guitar (nylon)	99 FX 4 (atmosphere)	174 Bright clean Guitar	249 Crystal FX
25 Acoustic Guitar (steel)	100 FX 5 (brightness)	175 Orchestra Guitar	250 Synth Shamisen
26 Electric Guitar (jazz)	101 FX 6 (goblins)	176 Psychedelic Guitar	251 Electronic Shamisen
27 Electric Guitar (clean)	102 FX 7 (echoes)	177 Bright Organ	252 Bright Sitar
28 Electric Guitar (muted)	103 FX 8 (sci-fi)	178 Pick Organ	253 Whistle Accord
29 Overdriven Guitar	104 Sitar	179 Synth Accordion	254 rhythm Nation
30 Distortion Guitar	105 Banjo	180 Bright Violin	255 Bright Koto
31 Guitar Harmonics	106 Shamisen	181 Stringed Violin	256 Koto Lead
32 Acoustic Bass	107 Koto	182 Trill Violin	257 Diplophonia Koto
33 Electric Bass(finger)	108 Kalimba	183 Electronic Violin	258 Baritone Koto
34 Electric Bass (pick)	109 Bagpipe	184 Large Violin	259 Synth Koto
35 Fretless Bass	110 Fiddle	185 rhythm Orchestra	260 Environmental Lead
36 Slap Bass 1	111 Shanai	186 Pizzicato Violin	261 Metal Lead
37 Slap Bass 2	112 Tinkle Bell	187 Pizzicato Ensemble 1	262 Orchestra Lead
38 Synth Bass 1	113 Agogo	188 Pizzicato Ensemble 2	263 Glockenspiel Lead
39 Synth Bass 2	114 Steel Drums	189 Percussion Band	264 Bass Lead
40 Violin	115 Woodblock	190 Baritone Synth Contrabass	265 Fifths Lead
41 Viola	116 Taiko Drum	191 Bass Flute	266 Wind Lead
42 Cello	117 Melodic Tom	192 Distortion Contrabass	267 Atmosphere Lead
43 Contra Bass	118 Synth Drum	193 Contrabass Lead	268 Sharp Lead
44 Tremolo Strings	119 Reverse Cymbal	194 Violin Lead	269 Bright Lead
45 Pizzicato Strings	120 Guitar Fret Noise	195 Cello Lead	270 East Nation Pad
46 Orchestral Harp	121 Breath Noise	196 Pizzicato Rhythm	271 Atmosphere Pad
47 Timpani	122 Seashore	197 High Harp	272 Electric bass Pad
48 String Ensemble 1	123 Bird Tweet	198 Harp ensemble	273 electric Piano Pad
49 String Ensemble 2	124 Telephone Ring	199 Synth Harp	274 Clean Guitar Pad
50 Synth Strings 1	125 Helicopter	200 Baritone Trumpet	275 Western Pad
51 Synth Strings 2	126 Applause	201 Trumpet ensemble	276 Sci-fi Pad
52 Choir Aahs	127 Gunshot	202 Rhythm Trumpet	277 Metal Sci-fi Pad
53 Voice Oohs	128 Percussion	203 High Trumpet	278 Clarinet Pad
54 Synth Voice	129 Rhythm electric Piano	204 Synth Trumpet	279 Electronic dance Pad
55 Orchestra Hit	130 Baritone Xylophone	205 Baritone Trombone	280 Double Kalimba
56 Trumpet	131 Clean Piano	206 Trombone ensemble	281 Bright Kalimba
57 Trombone	132 Bright Dulcimer	207 Rhythm Trombone	282 Crystal Kalimba
58 Tuba	133 Rhythm Grand Piano	208 High Trombone	283 Synth Kalimba
59 Muted Trumpet	134 Traditional Piano	209 Baritone Trombone	284 Electronic Bagpipe
60 French Horn	135 Aluminium jean	210 Synth Trombone	285 Wind Bagpipe
61 Brass Section	136 Rock Grand Piano	211 Violin French Horn	286 High Bagpipe
62 Synth Brass 1	137 Electronic organ	212 French Horn ensemble	287 Bright Bagpipe
63 Synth Brass 2	138 Psychedelic electronic	213 Electronic French Horn	288 Orchestra Bagpipe
64 Soprano Sax	139 Water jean	214 Synth French Horn	289 Baritone Bagpipe
65 Alto Sax	140 Bright Guitar	215 Psychedelic Synth Brass	290 Environmental Shanai
66 Tenor Sax	141 Orchestra piccolo	216 Distortion Synth Brass	291 Baritone Shanai
67 Baritone Sax	142 Heavy metal guitar	217 Vibraphone Synth Brass	292 Tenor Shanai
68 Oboe	143 Crystal guitar	218 Rock Synth Brass	293 high Shanai
69 English Horn	144 Queer electric Piano	219 Synth Muted Trumpet	294 Synth Shanai
70 Bassoon	145 Bright bass	220 Soprano Sax ensemble	295 Bright Steel Drums
71 Clarinet	146 Rock Electric Bass	221 rhythm Soprano Sax	296 Steel Drums Lead
72 Piccolo	147 Rhythm Electric Bass	222 Synth Soprano Sax	297 Lyric Steel Drums
73 Flute	148 Psychedelic Bass	223 National Sax	298 Orchestra Steel Drums
74 Recorder	149 Heavy Metal Bass	224 Metal Sax	299 Synth Steel Drums

ANNEXE II (STYLE)

00 Beat 1	75 Mambo	150 Heavy Metal Rock 2	225 Progressive House
01 Beat 2	76 Samba	151 70' Rock	226 Epic House
02 Beat 3	77 Reggae	152 80' Rock	227 Triple House
03 Beat 4	78 Rhumba	153 Middle Eastern Rock	228 Big Beat
04 Beat 5	79 Tango	154 Traditional Rock	229 Down Tempo
05 Beat 6	80 Habanera	155 Rock Disco	230 Electro 1
06 Beat 7	81 March 1	156 Modern Dance 1	231 Electro 2
07 Beat 8	82 March 2	157 Modern Dance 2	232 Electro 3
08 Beat 9	83 Polka 1	158 Modern Dance 3	233 House Dance
09 Beat 10	84 Polka 2	159 Modern Dance 4	234 Idm
10 Beat 11	85 Polka 3	160 Modern Dance 5	235 Jungle Drum
11 Beat 12	86 Vallenato	161 New Century 1	236 Techno
12 Beat 13	87 Waltz 1	162 New Century 2	237 Trance
13 Beat 14	88 Waltz 2	163 New Century 3	238 Trip-Hop
14 Rock 1	89 Waltz 3	164 Rock Dance 1	239 Experimental Electronic
15 Rock 2	90 Pop	165 Rock Dance 2	240 Western Swing
16 Cntr Rock	91 Love Ballad	166 Psyche Delic 1	241 Alt-Country
17 Country Rock	92 Easy Beat	167 Psyche Delic 2	242 Americana
18 Dance Rock	93 Soft Beat	168 Soft Rock	243 Charanga
19 Easy Rock	94 Shuffle	169 Post Rock	244 Tropical
20 Glam Rock	95 Cobmo	170 Goth Psychedelic	245 Ambient
21 Hard Rock 1	96 Shuffle 1	171 Soul Psychedelic 1	246 Punk Metal
22 Hard Rock 2	97 Shuffle 2	172 Soul Psychedelic 2	247 Experimental Rock
23 Pop_Rock	98 Slow Folk	173 Soul Psychedelic 3	248 Noise-Rock
24 Rock+Roll	99 Step	174 Soul Psychedelic 4	249 Celtic New Age
25 Rock Beat	100 Euro Pop	175 Psychedelic Swing	250 Ethnic Fusion
26 Rock Folk	101 Bachata Beat 1	176 Country Blues	251 Techno-Tribal
27 Rocky Pop	102 Bachata Beat 2	177 Electric Blues	252 Experimental
28 Dance 1	103 Africa Bossanova	178 Folk Blues	253 Minimalism
29 Dance 2	104 China Dance	179 Jazz Blues	254 Traditional Pop
30 Dance 3	105 Pop Beat	180 Jump Blues	255 Noise
31 Dance 4	106 Vienna Waltz	181 New Orleans Blues	256 Classical Beat 1
32 Dance 5	107 Africa Beat	182 New York Blues	257 Classical Beat2
33 Dance 6	108 Africa Mambo	183 Piano Blues	258 Classical Beat 3
34 Dance 7	109 Euro March 1	184 Soul Blues	259 Classical Beat 4
35 Dance 8	110 Euro March 2	185 Urban Blues	260 Classical Beat 5
36 Dance 9	111 Euro Merengue 1	186 Afro Beat	261 Classical Beat 6
37 Dance 10	112 Euro Merengue 2	187 Afro Pop	262 Classical Beat 7
38 Soul Funk	113 Mideast Dance	188 Celtic Pop	263 Classical Beat 8
39 Euro Soul	114 Africa Dance	189 Hawaiian Pop	264 Classical Beat 9
40 Funky Soul	115 Pop Samba 1	190 Indian Pop	265 Classical Beat 10
41 Funky Soul 2	116 Pop Samba 2	191 European Traditions	266 Classical Beat 11
42 Funky Soul 3	117 Africa Reggae	192 World Fusion	267 Classical Beat 12
43 Funky Soul 4	118 Euro Rhumba 1	193 DouJin	268 Classical Beat 13
44 Funky Soul 5	119 Euro Rhumba 2	194 Shima Uta	269 Classical Beat 14
45 Slow Soul 1	120 India Samba 1	195 Enka	270 Contemporary R&B 1
46 Slow Soul 2	121 India Samba 2	196 Japanese Folk Music	271 Contemporary R&B 2
47 Soul	122 Jazz Soul	197 Middle East Pop	272 Contemporary R&B
48 Big Band 1	123 Country Swing 1	198 Pop Baiao	273 Contemporary R&B4
49 Big Band 2	124 Country Swing 2	199 Pop Bequine	274 Contemporary R&B5
50 Blue Grass	125 Country Swing 3	200 New Age Latin	275 Deep Funk
51 Jazz Samba	126 Pop Waltz	201 New Bossanova	276 Doo Wop
52 Jazz Waltz	127 Pop Classic	202 Rock Lambada	277 Left-Field Hip-Hop
53 Jazz 1	128 Oriental Beat 1	203 Blues Mambo	278 Motown
54 Jazz 2	129 Oriental Beat 2	204 Pop Samba	279 Neo-Soul 1
55 Swing 1	130 Oriental Beat 3	205 Reggae Ballad	280 Neo-Soul 2
56 Swing 2	131 Oriental Beat 4	206 Pop Rhumba	281 Neo-Soul 3
57 Swing 3	132 Oriental Beat 5	207 Rock Tango	282 New Jack Swing
58 Country 1	133 Oriental Beat 6	208 Brit Pop 1	283 Urban
59 Country 2	134 Oriental Beat 7	209 Brit Pop.2	284 Contemporary Instrumental
60 Country 3	135 Oriental Beat 8	210 Brit Pop 3	285 Meditation
61 Country 4	136 Oriental Beat 9	211 Brit Pop 4	286 Neo-Classical 1
62 Country Waltz 1	137 Oriental Beat 10	212 Trip Hop 1	287 Neo-Classical 2
63 Country Waltz 2	138 Oriental Beat 11	213 Trip Hop 2	288 Neo-Classical 3
64 Country 5	139 Oriental Beat 12	214 Chamber Pop	289 New Acoustic
65 Country 6	140 Oriental Beat 13	215 Brit Pop Waltz 1	290 Solo Instrumental
66 Country 7	141 Oriental Beat 14	216 Brit Pop Waltz 2	291 Space
67 Slow Country 1	142 Jazz Rock 1	217 Brit Pop Waltz 3	292 Spiritual
68 Slow Country 2	143 Jazz Rock 2	218 Classical Ballad 1	293 Rock New Age
69 Soul Country	144 Soft Rock	219 Classical Ballad 2	294 Ragtime
70 Baiao	145 Classic Rock	220 Light Ballad	295 Bebop or Bop
71 Bequine	146 Folk Rock 1	221 Rhythm Ballad	296 Cool Jazz
72 Bolero	147 Folk Rock 2	222 Hard House	297 Free Jazz
73 Bossanova	148 Waltz Rock	223 Deep House	298 Jazz-Rock & Fusion
74 Lambada	149 Heavy Metal Rock 1	224 Acid House	299 Jazz Funk

ANNEXE III (DEMO SONGS)

No.	The name of song	No.	The name of song	No.	The name of song
00	London Bridge Is Falling Down	17	Hand in hand	34	Prom queen
01	Fantasy	18	Two hundred and fourteen	35	Ni Mengruoze
02	The twist	19	Fkey	36	Nen blauen Donau
03	Butter fly	20	Mozart Symphonies	37	Hawthorn
04	Paddle a canoe	21	The girl's Prayer	38	Mary had a little lamb
05	Country songs	22	Nocturne	39	Yellow ribbon
06	Rhythm of the rain	23	Another day in paradise	40	Toreador Song
07	Serenade	24	Red River Valley	41	Radetzky march
08	Bluegrass Music	25	Green sleeves	42	Radiant
09	Music moment	26	Mozart Piano Sonatas	43	Long Long Ago
10	Merry Christmas	27	Orange and lemon	44	Katyusha
11	American Patrol	28	Hallelujah	45	Susanna
12	Flower	29	Minuet	46	Little star
13	Pour Elise	30	Handshake	47	I Don't Care
14	Direct seeding	31	Rain	48	Minuet in G major
15	Turkey March	32	Pamela	49	Carman Overture
16	A cradle	33	Bnnie Edgar		

POLSKI

Gratulujemy zakupu tego produktu firmy MAX Music. Prosimy o dokładne zapoznanie się z niniejszą instrukcją przed rozpoczęciem korzystania z urządzenia, aby w pełni wykorzystać wszystkie jego funkcje. Przeczytaj instrukcję przed rozpoczęciem korzystania z urządzenia. Postępuj zgodnie z instrukcjami, aby nie unieważnić gwarancji. Podjąć wszelkie środki ostrożności, aby uniknąć pożaru i/lub porażenia prądem. Naprawy mogą być wykonywane wyłącznie przez wykwalifikowanego technika, aby uniknąć porażenia prądem. Instrukcję należy zachować do wykorzystania w przyszłości.

- Przed rozpoczęciem użytkowania urządzenia należy zasięgnąć porady specjalisty. Przy pierwszym włączeniu urządzenia może pojawić się nieprzyjemny zapach. Jest to normalne i po chwili zniknie.
- Urządzenie zawiera części przewodzące napięcie. Dlatego NIE należy otwierać obudowy.
- Nie należy umieszczać metalowych przedmiotów ani wlewać płynów do urządzenia. Może to spowodować porażenie prądem elektrycznym i nieprawidłowe działanie.
- Nie należy umieszczać urządzenia w pobliżu źródeł ciepła, takich jak grzejniki itp. Nie umieszczać urządzenia na wibrującej powierzchni. Nie zakrywać otworów wentylacyjnych.
- Urządzenie nie nadaje się do pracy ciągłej.
- Należy zachować ostrożność z przewodem zasilającym i nie wolno go uszkodzić. Wadliwy lub uszkodzony przewód sieciowy może spowodować porażenie prądem elektrycznym i wadliwe działanie.
- Podczas odłączania urządzenia od gniazdka sieciowego należy zawsze wyciągać wtyczkę, a nie przewód.
- Nie należy podłączać ani odłączać urządzenia mokrymi rękami.
- Jeśli wtyczka i/lub przewód sieciowy są uszkodzone, należy je wymienić przez wykwalifikowanego technika.
- Jeśli urządzenie jest uszkodzone w takim stopniu, że widoczne są części wewnętrzne, NIE podłączać urządzenia do gniazdka sieciowego i NIE włączać urządzenia. Skontaktować się ze sprzedawcą.
- Aby uniknąć zagrożenia pożarem i porażeniem prądem, nie wystawiać urządzenia na działanie deszczu i wilgoci.
- Wszystkie naprawy powinny być wykonywane wyłącznie przez wykwalifikowanego technika.
- Podłączyć urządzenie do uzziemionego gniazdka sieciowego (220-240Vac/50Hz) zabezpieczonego bezpiecznikiem 10-16A.
- Podczas burzy z piorunami lub jeśli urządzenie nie będzie używane przez dłuższy okres czasu, należy odłączyć je od sieci elektrycznej. Zasada jest taka sama: Gdy urządzenie nie jest używane, należy je odłączyć od sieci zasilającej.
- Jeśli urządzenie nie było używane przez dłuższy okres czasu, może dojść do kondensacji pary wodnej. Przed włączeniem urządzenie powinno osiągnąć temperaturę pokojową.
- Nigdy nie używać urządzenia w wilgotnych pomieszczeniach lub na zewnątrz.
- Aby zapobiec wypadkom w firmach, należy postępować zgodnie z obowiązującymi wytycznymi i instrukcjami.
- Nie należy wielokrotnie włączać i wyłączać urządzenia. Skraca to żywotność urządzenia.
- Przechowywać urządzenie w miejscu niedostępnym dla dzieci. Nie pozostawiać urządzenia bez nadzoru.
- Do czyszczenia przełączników nie używać sprayów czyszczących. Pozostałości tych sprayów powodują osadzanie się kurzu i smaru. W przypadku awarii należy zawsze zasięgnąć porady specjalisty.
- Nie wolno wymuszać używania elementów sterujących.
- Wewnątrz urządzenia znajduje się głośnik, który może powodować pole magnetyczne. Urządzenie należy trzymać w odległości co najmniej 60 cm od komputera lub telewizora.
- Jeśli ten produkt ma wbudowany akumulator kwasowo-ołowiowy. Jeśli nie zamierzasz używać produktu przez dłuższy okres czasu, ładuj go co 3 miesiące. W przeciwnym razie bateria może ulec trwałemu uszkodzeniu.
- Jeśli bateria jest uszkodzona, należy wymienić ją na baterię o tej samej specyfikacji. Uszkodzoną baterię należy utylizować w sposób przyjazny dla środowiska.
- Jeśli urządzenie upadło, przed ponownym włączeniem należy je sprawdzić przez wykwalifikowanego technika.
- Do czyszczenia urządzenia nie należy używać środków chemicznych. Uszkodzą one lakier. Urządzenie należy czyścić wyłącznie suchą ściereczką.
- Trzymać z dala od sprzętu elektronicznego, który może powodować zakłócenia.
- Do napraw należy używać wyłącznie oryginalnych części zamiennych, w przeciwnym razie może dojść do poważnych uszkodzeń i/lub niebezpiecznego promieniowania.
- Przed odłączeniem urządzenia od sieci elektrycznej i/lub innych urządzeń należy je wyłączyć. Przed przeniesieniem urządzenia należy odłączyć wszystkie przewody i kable.
- Upewnić się, że przewód zasilający nie może zostać uszkodzony, gdy ludzie chodzą po nim. Przed każdym użyciem należy sprawdzić przewód sieciowy pod kątem uszkodzeń i usterek!
- Napięcie sieciowe wynosi 220-240Vac/50Hz. Sprawdź, czy gniazdo zasilania pasuje. W przypadku podróży należy upewnić się, że napięcie sieciowe w danym kraju jest odpowiednie dla tego urządzenia.
- Należy zachować oryginalne opakowanie, aby umożliwić bezpieczny transport urządzenia.



Ten znak zwraca uwagę użytkownika na wysokie napięcie, które jest obecne w środku obudowy urządzenia. Napięcie jest wystarczające, aby porazić użytkownika.

Ten znak zwraca uwagę użytkownika do ważnych informacji, które znajdują się w instrukcji. Informacje te powinny być przeczytane oraz uwzględnione w codziennym użytkowaniu



Urządzenie posiada certyfikat CE. **Nie wolno** wprowadzać żadnych zmian w urządzeniu. Każda modyfikacja sprzętu spowoduje utratę certyfikatu CE oraz gwarancji!

UWAGA: Urządzenie może funkcjonować w pomieszczeniach o temperaturze pomiędzy 5°C/41°F oraz 35°C/95°F.



WAŻNA INFORMACJA: Urządzenia elektryczne muszą być składowane w miejscach do tego przeznaczonych. Sprawdź, gdzie w Twojej okolicy znajduje się najbliższe centrum recyklingu. Specyfikacja techniczna poszczególnych urządzeń może się nieznacznie różnić. Specyfikacja może ulec zmian bez powiadomień.

Nie próbuj dokonywać żadnych napraw samodzielnie, to spowoduje unieważnienie gwarancji. Gwarancja nie dotyczy uszkodzeń spowodowanych niewłaściwym użytkowaniem sprzętu, niezgodnie z instrukcją. MAX Music nie jest odpowiedzialny za uszczerbek na zdrowiu oraz kontuzje spowodowane niestosowaniem się do zaleceń bezpieczeństwa. Dotyczy to wszelkich uszkodzeń.

INSTRUKCJA ROZPAKOWYWANIA

PRZESTROGA Ostrożnie rozpakuj pudełko po jego otrzymaniu. Sprawdź zawartość, aby upewnić się, że wszystkie części są obecne i zostały dostarczone w dobrym stanie. Niezwłocznie powiadom nadawcę i zachowaj materiały opakowaniowe, jeśli jakiegokolwiek części wyglądają na uszkodzone podczas transportu lub sama paczka wykazuje oznaki niewłaściwego obchodzenia się z nią. Należy zachować paczkę i wszystkie materiały opakowaniowe. Jeśli produkt musi zostać zwrócony, ważne jest, aby został zwrócony w oryginalnym fabrycznym pudełku i opakowaniu. Jeśli urządzenie było narażone na drastyczne wahania temperatury (np. po transporcie), nie należy go od razu włączać. Powstająca woda kondensacyjna może uszkodzić urządzenie. Pozostaw urządzenie wyłączone, aż osiągnie temperaturę pokojową.

ZASILANIE


Etykieta na spodzie produktu wskazuje, do jakiego typu źródła zasilania należy podłączyć produkt. Należy sprawdzić, czy napięcie sieciowe odpowiada temu typowi, inne napięcia mogą spowodować nieodwracalne uszkodzenia. Produkt musi być również podłączony bezpośrednio do sieci, bez ściemniacza lub regulowanego zasilacza.



Urządzenie należy zawsze podłączać do zabezpieczonego obwodu (wyłącznik automatyczny lub bezpiecznik). Upewnij się, że urządzenie ma odpowiednie uziemienie elektryczne, aby uniknąć ryzyka porażenia prądem lub pożaru.

PRZEGLĄD



- 1.**  Naciśnij, aby włączyć/wyłączyć klawiaturę.
- 2. MASTER VOLUME**
Naciśnij przycisk [MASTER VOL +/-], aby zwiększyć lub zmniejszyć głośność główną.
- 3. ACCOMP VOLUME**
Istnieje 8 poziomów głośności akompaniamentu, domyślna wartość systemu to 06, naciskając przycisk „+/-” można dostosować głośność akompaniamentu. Naciśnij oba przyciski jednocześnie, aby przywrócić wartość domyślną.
- 4. TRANSPOSE**
Naciśnij przycisk [TRANPOSE +/-], aby transponować tonację nut. Transpozycję można regulować w zakresie od „-6” do „+6”. Jednoczesne naciśnięcie obu przycisków resetuje transpozycję do wartości domyślnej.
- 5. TEMPO**
Naciśnij przycisk [TEMPO +/-], aby dostosować tempo dla stylu, metronomu i demo. Dostępnych jest 210 segmentów. Zakres regulacji wynosi od 30 do 240. Jednoczesne naciśnięcie dwóch przycisków resetuje Tempo do wartości domyślnej 120.
- 6. SINGLE CHORD**
Gdy styl jest aktywny, naciśnij przycisk [SINGLE]. Gdy na wyświetlaczu pojawi się „C-1”, można zagrać pojedynczy akord na klawiszach w strefie akordów klawiatury. Po ponownym naciśnięciu przycisku [SINGLE] lub przycisku [CHORD CLEAR] na wyświetlaczu pojawi się komunikat „OFF”. Funkcja pojedynczego akordu zostanie wyłączona.
- 7. FINGER CHORD**
W tym trybie poszczególne nuty akordu są odtwarzane lewą ręką. Gdy styl jest aktywny, naciśnij przycisk [FINGER CHORD]. Gdy na wyświetlaczu pojawi się „C-2”, można grać akord palcowy na klawiszach w strefie akordów klawiatury. Po ponownym naciśnięciu przycisku [FINGER CHORD] lub przycisku [CHORD CLEAR] na wyświetlaczu pojawi się komunikat „OFF”. Funkcja akordu palcowego zostanie wyłączona.
- 8. START/STOP**
Naciśnij ten przycisk, aby rozpocząć lub zatrzymać odtwarzanie wybranego programu.
- 9. SYNC**
Naciśnij przycisk [SYNC], aby uruchomić funkcję akompaniamentu synchronicznego. Naciśnij 19 przycisków po lewej stronie, aby rozpocząć synchronizację stylu; jeśli funkcja akordu została uruchomiona, naciśnięcie tego 19 przycisku spowoduje jednoczesne uruchomienie automatycznego akordu. Jeśli styl jest odtwarzany, naciśnij ten przycisk, aby zatrzymać styl i otworzyć funkcję synchronizacji akompaniamentu. Jeśli musisz uruchomić funkcję synchronizacji. Naciśnij ten przycisk, aby wyjść.

10. INTRO/ENDING

Naciśnij przycisk **[INTRO/ENDING]**, aby rozpocząć odtwarzanie preludium. Przejdź do zwykłego rytmu, aby kontynuować. Podczas odtwarzania rytmu naciśnij przycisk **[INTRO/ENDING]**, aby rozpocząć odtwarzanie kodu zakończenia.

11. FILL IN

Naciśnij przycisk **[FILL IN]** podczas odtwarzania stylu. Funkcja ta umożliwia wstawienie łącznika w celu zwiększenia wydajności, a następnie kontynuowanie odtwarzania w oryginalnym tempie

12. METRONOME

Na klawiaturze zapisane są 4 rodzaje metronomów: 1/4 taktu, 2/4 taktu, 3/4 taktu i 4/4 taktu. Naciśnij przycisk **[METRONOME]** raz, aby ustawić rytm na 1/4 taktu, dwa razy dla 2/4 taktu itp. naciśnij piąty raz, aby anulować funkcję.

13. PANEL PERKUSYJNY

Naciśnij jeden z przycisków perkusji. Dla tej klawiatury dostępnych jest 8 rodzajów perkusji.

- Drewniany klocek L
- Klaskanie
- Hi-Hat otwarty
- Hi-Hat zamknięty
- Werbel L
- Bongo L
- Bęben basowy H miękki
- Bęben basowy L

14. VOICE

Ta klawiatura oferuje 300 rodzajów głosów do wyboru. (Załącznik I) Naciśnij przycisk **[VOICE]**, aby wybrać głos, naciskając przyciski **[0-9]** lub **[+ / -]**. Lista głosów znajduje się w załączniku.

15. STYLE

Ta klawiatura udostępni 300 stylów do wyboru. (Załącznik II) Naciśnij przycisk **[STYLE]**, aby wybrać styl, naciskając przyciski **[0-9]** lub **[+/-]**. Lista stylów znajduje się w załączniku. Naciskaj cyfry w ramach limitu, w przeciwnym razie wprowadzanie danych będzie nieskuteczne.

16. SONG

Naciśnij przycisk **[SONG]**, aby przejść do trybu utworu. Następnie naciśnij przyciski numeryczne, aby wybrać ulubiony utwór. Odczekaj sekundę, a następnie naciśnij przycisk **[DEMO]**, aby rozpocząć odtwarzanie utworu.

17. RECORD

Naciśnij przycisk **[RECORD]**, aby nagrać odtwarzaną muzykę.

18. PLAY

Naciśnij przycisk **[PLAY]**, aby odtworzyć nagrane nuty lub rytmy.

19. PROGRAM

Naciśnij przycisk **[PROGRAM]**, aby przejść do trybu programowania stylu.

20. DEMO

Łącznie 50 wersji demonstracyjnych, szczegółowe informacje znajdują się w dodatku III.

Naciśnięcie przycisku **[DEMO]** spowoduje odtwarzanie utworów w trybie odtwarzania ciągłego i rozpoczęcie od utworu NO. "00" do "49" lub naciskając przyciski **[+ / -]**, aby wybrać odpowiednie numery utworów. Aby zatrzymać odtwarzanie, należy ponownie nacisnąć przycisk **[DEMO]** lub przycisk **[START/STOP]**.

21. NUMPAD I [- / +]

Klawisze numeryczne do wprowadzania dokładnej wartości.

22. SUSTAIN

Naciśnięcie przycisku **[SUSTAIN]** spowoduje włączenie efektu sustain. Ponowne naciśnięcie tego przycisku spowoduje wyłączenie efektu sustain.

23. VIBRATO

Naciśnij przycisk **[VIBRATO]**, aby uzyskać wibrujący dźwięk. Ponowne naciśnięcie przycisku **[VIBRATO]** spowoduje wyłączenie efektu wibracji.

24. KEYBOARD SPLIT

W normalnym stanie naciśnij przycisk **[KEYBOARD SPLIT]**, aby przejść do trybu podwójnej klawiatury, który zaczyna się od podziału na dwa obszary. 24 klawisze po lewej stronie klawiatury są wstępnie ustawionym głosem i zostaną rozdzielone z pozostałą klawiaturą.

Naciśnij ponownie przycisk **[KEYBOARD SPLIT]**, aby wyłączyć tę funkcję.

25. TEACHING A/B

Naciśnij przycisk **[TEACHING A/B]**, aby włączyć funkcję uczenia.

26. GŁOŚNIKI

Głośniki do odtwarzania dźwięku odtwarzanej muzyki. Poziom dźwięku jest określany na podstawie ustawienia głośności.

POŁĄCZENIA

27. WEJŚCIE MIKROFONU

Podłącz mikrofon do portu MIC, aby śpiewać podczas gry na klawiaturze.

28. SŁUCHAWKI/WYJŚCIE

Po podłączeniu słuchawek do portu PHONES/OUTPUT głośnik zostanie automatycznie wyłączony. Możesz występować bez przeszkadzania innym i bez przeszkadzania innym.

29. WEJŚCIE PRĄDU STAŁEGO

Gniazdo do podłączenia dostarczonego zasilacza 9V.



PRZED ROZPOCZĘCIEM

ZASILANIE:

- **Korzystanie z zasilacza AC-DC:**

Użyj specjalnego zasilacza, w który wyposażona jest ta klawiatura elektroniczna lub zasilacza o napięciu wyjściowym DC 9V 500mA. Włóż wtyczkę DC lub zasilacz do gniazda zasilania DC 9V na tylnym panelu klawiatury elektronicznej, włóż drugi koniec do gniazda Main, włącz przełącznik zasilania i rozpocznij działanie.

- **Korzystanie z baterii (brak w zestawie):**

Otwórz pokrywę komory baterii znajdującą się na dolnym panelu klawiatury elektronicznej. Włóż 6 baterii AA, zwracając uwagę na oznaczenie biegunowości na obudowie. Załóż pokrywę komory, upewniając się, że jest dobrze zablokowana

- Umieść podstawkę pod nuty w gnieździe klawiatury.

NAGRYWANIE

- Naciśnij przycisk **[RECORD]**, aby przejść do trybu nagrywania. Naciśnij dowolny przycisk, aby rozpocząć nagrywanie. Maksymalna liczba nagrywanych tonów wynosi 48. Gdy na wyświetlaczu pojawi się komunikat „Full”, nie będzie można kontynuować nagrywania kolejnej nuty.
- Naciśnij przycisk **[PLAY]**, aby odtworzyć nagraną muzykę. Na wyświetlaczu pojawi się komunikat „Ply”. Naciśnij ponownie przycisk nagrywania, aby zakończyć nagrywanie i rozpocząć nowe nagranie.
- Naciśnij przycisk **[PROG]**, aby włączyć funkcję programowania rytmu, na wyświetlaczu pojawi się „Prg”, a funkcja perkusji klawiatury zostanie aktywowana. Maksymalnie można zaprogramować 32 perkusje, po czym na wyświetlaczu pojawi się „FUL” i programowanie zostanie automatycznie zatrzymane. Naciśnij przycisk **[PLAY]**, aby odtworzyć zaprogramowany rytm. Naciśnij przycisk **[START/STOP]** lub naciśnij ponownie przycisk **[PROG]**, aby wyłączyć funkcję programowania. Wszystkie nagrane rytmy zostaną usunięte.

FUNKCJA UCZENIA

Przycisk **[SONG]** może pomóc w łatwym wejściu w tryb uczenia i wyboru demo.

- Naciśnij przycisk **[SONG]**. Następnie naciśnij numer, aby wybrać utwór, którego chcesz się nauczyć. Poczekać chwilę, a następnie naciśnij przycisk **[TEACHING A]** lub **[TEACHING B]**, aby rozpocząć naukę.
- **Teaching A:** nauka poprawnego lub niepoprawnego odtwarzania nagrania spowoduje wysłanie odpowiedniego dźwięku i kontynuowanie odtwarzania utworu.
- **Teaching B:** podążaj za wyświetlaczem zgodnie z prawidłowymi nutami, graj, aby automatycznie wprowadzić następną nutę.

ZALĄCZNIK I (VOICE)

0 Acoustic Grand Piano	75 Pan Flute	150 Magic Electronic	225 Baritone Sax ensemble
1 Bright Acoustic Piano	76 Bottle Blow	151 Bright violin	226 Crystal Sax
2 Electric Grand Piano	77 Shakuhachi	152 Atonic Violin	227 Soft Baritone Sax
3 Honky-tonk Piano	78 Whistle	153 Heavy 151 Bright Violin	228 Synth Baritone Sax
4 Rhodes Piano	79 Ocarina	154 Synth Clarinet	229 Heavy metal Sax
5 Chorused Piano	80 Lead 1 (square)	155 Interactive Lead	230 Church Oboe
6 Harpsichord	81 Lead 2 (sawtooth)	156 For the keyboard	231 Oboe ensemble
7 Clavichord	82 Lead 3 (caliopo lead)	157 Bagpipes	232 Bass Oboe
8 Celesta	83 Lead 4 (chiff lead)	158 Suona	233 Bright Oboe
9 Glockenspiel	84 Lead 5 (charang)	159 Pipa	234 distortio oboe
10 Music man	85 Lead 6 (voice)	160 Church Piano	235 English Horn ensemble
11 Vibraphone	86 Lead 7 (fifths)	161 Church electric Piano	236 Pizzicato English Horn
12 Marimba	87 Lead 8 (bass+lead)	162 Synth Piano	237 Diplophonia English Horn
13 Xylophone	88 Pad 1 (new age)	163 Baritone Piano	238 Bright English Horn
14 Tubular Bells	89 Pad 2 (warm)	164 Piano PAD	239 Synth English Horn
15 Dulcimer	90 Pad 3 (polysynth)	165 String Piano	240 Psychedelic Synth Lead
16 Hammond Organ	91 Pad 4 (choir)	166 Metal Piano	241 Vibraphone Synth Lead
17 Percussive Organ	92 Pad 5 (bowed)	167 Light rhythm Piano	242 Marimba Synth Lead
18 Rock Organ	93 Pad 6 (metallic)	168 electric Piano Pad	243 Metal FX
19 Church Organ	94 Pad 7 (halo)	169 Classical piano	244 Electronic FX
20 Reed Organ	95 Pad 8 (sweep)	170 Guitar organ	245 Electronic String Ensemble
21 Accordion	96 FX 1 (rain)	171 An electric guitar	246 Wind FX
22 Harmonica	97 FX 2 (soundtrack)	172 synthesis Nylon Guitar	247 Clarinet FX
23 Tango Accordion	98 FX 3 (crystal)	173 Synthetic electronic guitar	248 Organ FX
24 Acoustic Guitar (nylon)	99 FX 4 (atmosphere)	174 Bright clean Guitar	249 Crystal FX
25 Acoustic Guitar (steel)	100 FX 5 (brightness)	175 Orchestra Guitar	250 Synth Shamisen
26 Electric Guitar (jazz)	101 FX 6 (goblins)	176 Psychedelic Guitar	251 Electronic Shamisen
27 Electric Guitar (clean)	102 FX 7 (echoes)	177 Bright Organ	252 Bright Sitar
28 Electric Guitar (muted)	103 FX 8 (sci-fi)	178 Pick Organ	253 Whistle Accord
29 Overdriven Guitar	104 Sitar	179 Synth Accordion	254 rhythm Nation
30 Distortion Guitar	105 Banjo	180 Bright Violin	255 Bright Koto
31 Guitar Harmonics	106 Shamisen	181 Stringed Violin	256 Koto Lead
32 Acoustic Bass	107 Koto	182 Trill Violin	257 Diplophonia Koto
33 Electric Bass(finger)	108 Kalimba	183 Electronic Violin	258 Baritone Koto
34 Electric Bass (pick)	109 Bagpipe	184 Large Violin	259 Synth Koto
35 Fretless Bass	110 Fiddle	185 rhythm Orchestra	260 Environmental Lead
36 Slap Bass 1	111 Shanai	186 Pizzicato Violin	261 Metal Lead
37 Slap Bass 2	112 Tinkle Bell	187 Pizzicato Ensemble 1	262 Orchestra Lead
38 Synth Bass 1	113 Agogo	188 Pizzicato Ensemble 2	263 Glockenspiel Lead
39 Synth Bass 2	114 Steel Drums	189 Percussion Band	264 Bass Lead
40 Violin	115 Woodblock	190 Baritone Synth Contrabass	265 Fifths Lead
41 Viola	116 Taiko Drum	191 Bass Flute	266 Wind Lead
42 Cello	117 Melodic Tom	192 Distortion Contrabass	267 Atmosphere Lead
43 Contra Bass	118 Synth Drum	193 Contrabass Lead	268 Sharp Lead
44 Tremolo Strings	119 Reverse Cymbal	194 Violin Lead	269 Bright Lead
45 Pizzicato Strings	120 Guitar Fret Noise	195 Cello Lead	270 East Nation Pad
46 Orchestral Harp	121 Breath Noise	196 Pizzicato Rhythm	271 Atmosphere Pad
47 Timpani	122 Seashore	197 High Harp	272 Electric bass Pad
48 String Ensemble 1	123 Bird Tweet	198 Harp ensemble	273 electric Piano Pad
49 String Ensemble 2	124 Telephone Ring	199 Synth Harp	274 Clean Guitar Pad
50 Synth Strings 1	125 Helicopter	200 Baritone Trumpet	275 Western Pad
51 Synth Strings 2	126 Applause	201 Trumpet ensemble	276 Sci-fi Pad
52 Choir Aahs	127 Gunshot	202 Rhythm Trumpet	277 Metal Sci-fi Pad
53 Voice Oohs	128 Percussion	203 High Trumpet	278 Clarinet Pad
54 Synth Voice	129 Rhythm electric Piano	204 Synth Trumpet	279 Electronic dance Pad
55 Orchestra Hit	130 Baritone Xylophone	205 Baritone Trombone	280 Double Kalimba
56 Trumpet	131 Clean Piano	206 Trombone ensemble	281 Bright Kalimba
57 Trombone	132 Bright Dulcimer	207 Rhythm Trombone	282 Crystal Kalimba
58 Tuba	133 Rhythm Grand Piano	208 High Trombone	283 Synth Kalimba
59 Muted Trumpet	134 Traditional Piano	209 Baritone Trombone	284 Electronic Bagpipe
60 French Horn	135 Aluminium jean	210 Synth Trombone	285 Wind Bagpipe
61 Brass Section	136 Rock Grand Piano	211 Violin French Horn	286 High Bagpipe
62 Synth Brass 1	137 Electronic organ	212 French Horn ensemble	287 Bright Bagpipe
63 Synth Brass 2	138 Psychedelic electronic	213 Electronic French Horn	288 Orchestra Bagpipe
64 Soprano Sax	139 Water jean	214 Synth French Horn	289 Baritone Bagpipe
65 Alto Sax	140 Bright Guitar	215 Psychedelic Synth Brass	290 Environmental Shanai
66 Tenor Sax	141 Orchestra piccolo	216 Distortion Synth Brass	291 Baritone Shanai
67 Baritone Sax	142 Heavy metal guitar	217 Vibraphone Synth Brass	292 Tenor Shanai
68 Oboe	143 Crystal guitar	218 Rock Synth Brass	293 high Shanai
69 English Horn	144 Queer electric Piano	219 Synth Muted Trumpet	294 Synth Shanai
70 Bassoon	145 Bright bass	220 Soprano Sax ensemble	295 Bright Steel Drums
71 Clarinet	146 Rock Electric Bass	221 rhythm Soprano Sax	296 Steel Drums Lead
72 Piccolo	147 Rhythm Electric Bass	222 Synth Soprano Sax	297 Lyric Steel Drums
73 Flute	148 Psychedelic Bass	223 National Sax	298 Orchestra Steel Drums
74 Recorder	149 Heavy Metal Bass	224 Metal Sax	299 Synth Steel Drums

ZALĄCZNIK II (STYLE)

00 Beat 1	75 Mambo	150 Heavy Metal Rock 2	225 Progressive House
01 Beat 2	76 Samba	151 70' Rock	226 Epic House
02 Beat 3	77 Reggae	152 80' Rock	227 Trible House
03 Beat 4	78 Rhumba	153 Middle Eastern Rock	228 Big Beat
04 Beat 5	79 Tango	154 Traditional Rock	229 Down Tempo
05 Beat 6	80 Habanera	155 Rock Disco	230 Electro 1
06 Beat 7	81 March 1	156 Modern Dance 1	231 Electro 2
07 Beat 8	82 March 2	157 Modern Dance 2	232 Electro 3
08 Beat 9	83 Polka 1	158 Modern Dance 3	233 House Dance
09 Beat 10	84 Polka 2	159 Modern Dance 4	234 Idm
10 Beat 11	85 Polka 3	160 Modern Dance 5	235 Jungle Drum
11 Beat 12	86 Vallenato	161 New Century 1	236 Techno
12 Beat 13	87 Waltz 1	162 New Century 2	237 Trance
13 Beat 14	88 Waltz 2	163 New Century 3	238 Trip-Hop
14 Rock 1	89 Waltz 3	164 Rock Dance 1	239 Experimental Electronic
15 Rock 2	90 Pop	165 Rock Dance 2	240 Western Swing
16 Cntr Rock	91 Love Ballad	166 Psyche Delic 1	241 Alt-Country
17 Country Rock	92 Easy Beat	167 Psyche Delic 2	242 Americana
18 Dance Rock	93 Soft Beat	168 Soft Rock	243 Charanga
19 Easy Rock	94 Shuffle	169 Post Rock	244 Tropical
20 Glam Rock	95 Cobmo	170 Goth Psychedelic	245 Ambient
21 Hard Rock 1	96 Shuffle 1	171 Soul Psychedelic 1	246 Punk Metal
22 Hard Rock 2	97 Shuffle 2	172 Soul Psychedelic 2	247 Experimental Rock
23 Pop_Rock	98 Slow Folk	173 Soul Psychedelic 3	248 Noise-Rock
24 Rock+Roll	99 Step	174 Soul Psychedelic 4	249 Celtic New Age
25 Rock Beat	100 Euro Pop	175 Psychedelic Swing	250 Ethnic Fusion
26 Rock Folk	101 Bachata Beat 1	176 Country Blues	251 Techno-Tribal
27 Rocky Pop	102 Bachata Beat 2	177 Electric Blues	252 Experimental
28 Dance 1	103 Africa Bossanova	178 Folk Blues	253 Minimalism
29 Dance 2	104 China Dance	179 Jazz Blues	254 Traditional Pop
30 Dance 3	105 Pop Beat	180 Jump Blues	255 Noise
31 Dance 4	106 Vienna Waltz	181 New Orleans Blues	256 Classical Beat 1
32 Dance 5	107 Africa Beat	182 New York Blues	257 Classical Beat2
33 Dance 6	108 Africa Mambo	183 Piano Blues	258 Classical Beat 3
34 Dance 7	109 Euro March 1	184 Soul Blues	259 Classical Beat 4
35 Dance 8	110 Euro March 2	185 Urban Blues	260 Classical Beat 5
36 Dance 9	111 Euro Merengue 1	186 Afro Beat	261 Classical Beat 6
37 Dance 10	112 Euro Merengue 2	187 Afro Pop	262 Classical Beat 7
38 Soul Funk	113 Mideast Dance	188 Celtic Pop	263 Classical Beat 8
39 Euro Soul	114 Africa Dance	189 Hawaiian Pop	264 Classical Beat 9
40 Funky Soul	115 Pop Samba 1	190 Indian Pop	265 Classical Beat 10
41 Funky Soul 2	116 Pop Samba 2	191 European Traditions	266 Classical Beat 11
42 Funky Soul 3	117 Africa Reggae	192 World Fusion	267 Classical Beat 12
43 Funky Soul 4	118 Euro Rhumba 1	193 DouJin	268 Classical Beat 13
44 Funky Soul 5	119 Euro Rhumba 2	194 Shima Uta	269 Classical Beat 14
45 Slow Soul 1	120 India Samba 1	195 Enka	270 Contemporary R&B 1
46 Slow Soul 2	121 India Samba 2	196 Japanese Folk Music	271 Contemporary R&B 2
47 Soul	122 Jazz Soul	197 Middle East Pop	272 Contemporary R&B
48 Big Band 1	123 Country Swing 1	198 Pop Baiao	273 Contemporary R&B4
49 Big Band 2	124 Country Swing 2	199 Pop Bequine	274 Contemporary R&B5
50 Blue Grass	125 Country Swing 3	200 New Age Latin	275 Deep Funk
51 Jazz Samba	126 Pop Waltz	201 New Bossanova	276 Doo Wop
52 Jazz Waltz	127 Pop Classic	202 Rock Lambada	277 Left-Field Hip-Hop
53 Jazz 1	128 Oriental Beat 1	203 Blues Mambo	278 Motown
54 Jazz 2	129 Oriental Beat 2	204 Pop Samba	279 Neo-Soul 1
55 Swing 1	130 Oriental Beat 3	205 Reggae Ballad	280 Neo-Soul 2
56 Swing 2	131 Oriental Beat 4	206 Pop Rhumba	281 Neo-Soul 3
57 Swing 3	132 Oriental Beat 5	207 Rock Tango	282 New Jack Swing
58 Country 1	133 Oriental Beat 6	208 Brit Pop 1	283 Urban
59 Country 2	134 Oriental Beat 7	209 Brit Pop.2	284 Contemporary Instrumental
60 Country 3	135 Oriental Beat 8	210 Brit Pop 3	285 Meditation
61 Country 4	136 Oriental Beat 9	211 Brit Pop 4	286 Neo-Classical 1
62 Country Waltz 1	137 Oriental Beat 10	212 Trip Hop 1	287 Neo-Classical 2
63 Country Waltz 2	138 Oriental Beat 11	213 Trip Hop 2	288 Neo-Classical 3
64 Country 5	139 Oriental Beat 12	214 Chamber Pop	289 New Acoustic
65 Country 6	140 Oriental Beat 13	215 Brit Pop Waltz 1	290 Solo Instrumental
66 Country 7	141 Oriental Beat 14	216 Brit Pop Waltz 2	291 Space
67 Slow Country 1	142 Jazz Rock 1	217 Brit Pop Waltz 3	292 Spiritual
68 Slow Country 2	143 Jazz Rock 2	218 Classical Ballad 1	293 Rock New Age
69 Soul Country	144 Soft Rock	219 Classical Ballad 2	294 Ragtime
70 Baiao	145 Classic Rock	220 Light Ballad	295 Bebop or Bop
71 Bequine	146 Folk Rock 1	221 Rhythm Ballad	296 Cool Jazz
72 Bolero	147 Folk Rock 2	222 Hard House	297 Free Jazz
73 Bossanova	148 Waltz Rock	223 Deep House	298 Jazz-Rock & Fusion
74 Lambada	149 Heavy Metal Rock 1	224 Acid House	299 Jazz Funk

ZAŁĄCZNIK III (DEMO SONGS)

No.	The name of song	No.	The name of song	No.	The name of song
00	London Bridge Is Falling Down	17	Hand in hand	34	Prom queen
01	Fantasy	18	Two hundred and fourteen	35	Ni Mengruoze
02	The twist	19	Fkey	36	Nen blauen Donau
03	Butter fly	20	Mozart Symphonies	37	Hawthorn
04	Paddle a canoe	21	The girl's Prayer	38	Mary had a little lamb
05	Country songs	22	Nocturne	39	Yellow ribbon
06	Rhythm of the rain	23	Another day in paradise	40	Toreador Song
07	Serenade	24	Red River Valley	41	Radetzky march
08	Bluegrass Music	25	Green sleeves	42	Radiant
09	Music moment	26	Mozart Piano Sonatas	43	Long Long Ago
10	Merry Christmas	27	Orange and lemon	44	Katyusha
11	American Patrol	28	Hallelujah	45	Susanna
12	Flower	29	Minuet	46	Little star
13	Pour Elise	30	Handshake	47	I Don't Care
14	Direct seeding	31	Rain	48	Minuet in G major
15	Turkey March	32	Pamela	49	Carman Overture
16	A cradle	33	Bnnie Edgar		

Gratulujeme ke koupi tohoto produktu MAX Music. Před použitím výrobku si pečlivě přečtěte tento návod, abyste mohli plně využívat všechny jeho funkce.

Před použitím přístroje si přečtěte tuto příručku. Postupujte podle pokynů, aby nedošlo ke zneplatnění záruky. Přijměte veškerá preventivní opatření, abyste zabránili požáru nebo úrazu elektrickým proudem. Opravy smí provádět pouze kvalifikovaný technik, aby nedošlo k úrazu elektrickým proudem. Návod si uschovejte pro budoucí použití.

- Před použitím přístroje se poradte s prodávajícím. Při prvním zapnutí jednotky může dojít k zápachu. To je normální a po chvíli to zmizí.
- Přístroj obsahuje části pod napětím. Proto neotvírejte jeho kryt.
- Neumisťujte do přístroje kovové předměty a nelijte na ni tekutiny. Mohlo by dojít k úrazu elektrickým proudem a poruše.
- Neumisťujte jednotku do blízkosti zdrojů tepla, jako jsou radiátory apod.
- Neumisťujte jednotku na vibrující povrch. Nezakrývejte ventilační otvory.
- Jednotka není vhodná pro trvalé používání.
- S napájecím kabelem buďte opatrní a nepoškozujte jej. Vadný nebo poškozený napájecí kabel může způsobit úraz elektrickým proudem, nebo poruchu.
- Při odpojování zařízení od zásuvky vždy tahejte za zástrčku, nikdy ne za kabel.
- Nezapojujte a neodpojujte přístroj mokřima rukama.
- Pokud je poškozena zástrčka a / nebo napájecí kabel, musí být opraveny kvalifikovaným technikem.
- Pokud je jednotka poškozena do takové míry, že jsou vidět vnitřní části, NEZAPOJUJTE jednotku do zásuvky ani ji NEZAPÍNEJTE. Kontaktujte svého prodejce. NEPŘIPOJUJTE jednotku k reostatu nebo stmívači.
- Aby nedošlo k požáru, nebo úrazu elektrickým proudem, nevystavujte jednotku dešti a vlhkosti.
- Všechny opravy musí provádět pouze kvalifikovaný technik.
- Připojte přístroj k uzemněné síťové zásuvce (220 - 240 V, střídavý / 50 Hz) chráněné pojistkou 10 - 16 A.
- Během bouřky nebo pokud nebudete jednotku delší dobu používat, odpojte ji od elektrické sítě. Pokud zařízení nepoužíváte, odpojte jej od elektrické sítě.
- Pokud jednotku nebudete delší dobu používat, může dojít ke kondenzaci vlhkosti. Než přístroj zapnete, nechejte jej dosáhnout pokojovou teplotu. Nikdy nepoužívejte jednotku ve vlhkých místnostech nebo venku.
- Abyste předešli nehodám na veřejnosti, musíte postupovat podle příslušných pokynů a instrukcí.
- Zařízení opakovaně nezapínejte a nevypínejte. Tím se zkracuje jeho životnost.
- Uchovávejte jednotku mimo dosah dětí. Nenechávejte jednotku bez dozoru.
- K čištění spínačů nepoužívejte čisticí spreje. Zbytky těchto sprejů způsobují, že se na spínačích usazuje prach a mastnota. V případě poruchy vždy vyhledejte radu od odborníka.
- Na ovládací prvky netlačte silou.
- Tato jednotka má uvnitř reproduktor, který může způsobit magnetické pole. Udržujte proto toto zařízení ve vzdálenosti alespoň 60 cm od počítače nebo televize.
- Pokud má tato jednotka vestavěnou dobíjecí baterii, tak ji dobijte alespoň 1x za 3 měsíce. Jinak může dojít k poškození baterie.
- Pokud je baterie poškozená, vyměňte ji za baterii se stejnými specifikacemi. Poškozenou baterii zlikvidujte ekologicky.
- Pokud Vám přístroj upadnul, nechte ho před opětovným zapnutím zkontrolovat kvalifikovaným technikem.
- K čištění jednotky nepoužívejte chemikálie. Poškozují lak. Jednotku čistěte pouze suchým hadříkem.
- Uchovávejte mimo dosah elektronických zařízení, která mohou způsobovat rušení.
- K opravám používejte pouze originální náhradní díly, jinak může dojít k vážnému poškození nebo nebezpečnému záření.
- Před odpojením od sítě nebo od jiného zařízení přístroj vypněte. Před přemístováním přístroje odpojte všechny napájecí i jiné kabely.
- Zajistěte, aby nemohlo dojít k poškození síťového kabelu, když po něm lidé kráčí. Před každým použitím zkontrolujte přívodní kabel, zda není poškozený nebo vadný!
- Síťové napětí je 220 – 240 V, AC / 50Hz. Zkontrolujte, zda se napětí v zásuvce shoduje. Pokud cestujete, zkontrolujte, zda je v dané zemi pro tuto jednotku vhodné síťové napětí.
- Uschovejte originální obalový materiál, abyste mohli jednotku v případě potřeby přepravit v bezpečných podmínkách.



Tento znak upozorňuje uživatele na vysokému napětí, které je uvnitř přístroje a které je dostatečně velké, aby způsobilo nebezpečí úrazu elektrickým proudem.



Tento znak upozorňuje uživatele na důležité pokyny obsažené v této příručce, kterou by si měl před používáním přečíst a dodržovat.

Jednotka má certifikát CE. Na jednotce je zakázáno provádět jakékoli změny. Certifikát CE by tím pozbyl platnost a zboží by přišlo o záruku!

POZNÁMKA: Aby bylo zajištěno, že jednotka bude fungovat normálně, musí být používána v místnostech s teplotou mezi 5 °C a 35 °C.



Elektrické výrobky se nesmí ukládat do domácího odpadu. Přineste je, prosím, do recyklačního centra. Zeptejte se místních úřadů nebo prodejce na postup. Specifikace jsou typické. Skutečné hodnoty se mohou z jedné jednotky na druhou mírně změnit. Specifikace lze změnit bez předchozího upozornění.

Nepokoušejte se sami provádět žádné opravy. To by zneplatnilo vaši záruku. Na jednotce neprovádějte žádné změny. Tím by také zanikla vaše záruka. Záruka se nevztahuje na nehody nebo škody způsobené nevhodným použitím nebo nerespektováním varování obsažených v této příručce. Max Music nemůže nést odpovědnost za zranění osob způsobená nerespektováním bezpečnostních doporučení a varování. To platí také pro všechny škody v jakékoli formě.

POKYNY K VYBALOVÁNÍ

UPOZORNĚNÍ Po obdržení krabice ji pečlivě vybalte. Zkontrolujte obsah a ujistěte se, že jsou všechny díly přítomny a byly doručeny v dobrém stavu. Pokud se některé díly zdají být poškozené při přepravě nebo samotný obal vykazuje známky špatného zacházení, neprodleně to oznamte odesílateli a ponechte si obalový materiál. Balení a veškerý obalový materiál uschovejte. Pokud je nutné výrobek vrátit, je důležité, aby byl výrobek vrácen v původní krabici a obalu od výrobce. Pokud byl přístroj vystaven prudkému kolísání teplot (např. po přepravě), nezapínejte jej ihned. Vzniklá kondenzovaná voda by mohla zařízení poškodit. Zařízení nechte vypnuté, dokud nedosáhne pokojové teploty.

NAPÁJENÍ

Na štítku na spodní straně výrobku je uvedeno, k jakému typu napájení musí být výrobek připojen. Zkontrolujte, zda tomu odpovídá síťové napětí, všechna jiná napětí mohou způsobit nenapravitelné škody. Výrobek musí být také připojen přímo k elektrické síti, bez stmívače nebo nastavitelného zdroje.



Přístroj vždy připojujte k chráněnému obvodu (jistič nebo pojistka). Ujistěte se, že má zařízení vhodné elektrické uzemnění, abyste předešli riziku úrazu elektrickým proudem nebo požáru.

PŘEHLED



- 1.** Stisknutím tlačítka zapnete/vypnete klávesnici.
- 2. MASTER VOLUME**
Stisknutím tlačítka [MASTER VOL +/-] zvýšíte nebo snížíte hlavní hlasitost.
- 3. ACCOMP VOLUME**
K dispozici je 8 úrovní hlasitosti stylu doprovodu, výchozí hodnota systému je 06, stisknutím tlačítka „+/-“ lze hlasitost doprovodu upravit. Stisknutím obou současně obnovíte výchozí hodnotu.
- 4. TRANPOSE**
Stisknutím tlačítka [TRANPOSE +/-] můžete transponovat tón not. Transpozici lze nastavit v rozsahu od „-6“ do „+6“. Stisknutím obou tlačítek současně se transpozice vrátí na výchozí hodnotu.
- 5. TEMPO**
Stisknutím tlačítka [TEMPO +/-] nastavíte tempo pro styl, metronom a demo. K dispozici je celkem 210 segmentů. Rozsah nastavení je 30 až 240. Současným stisknutím obou tlačítek se Tempo vrátí na výchozí hodnotu 120.
- 6. SINGLE CHORD**
Ve stavu, kdy je aktivován styl, stiskněte tlačítko [SINGLE]. Poté, co se na displeji zobrazí nápis „C-1“, můžete na klávesy v akordové zóně klaviatury zahrát jednoduchý akord. Stiskněte znovu tlačítko [SINGLE] nebo stiskněte tlačítko [CHORD CLEAR], na displeji se zobrazí „OFF“. Funkce jednoho akordu bude deaktivována.
- 7. FINGER CHORD**
V tomto režimu hrajete jednotlivé tóny akordu levou rukou. Za stavu, kdy je aktivován styl, stiskněte tlačítko [FINGER CHORD]. Poté, co se na displeji zobrazí „C-2“, můžete hrát prstoklad na klávesách v akordové zóně klaviatury. Stiskněte znovu tlačítko [FINGER CHORD] nebo stiskněte tlačítko [CHORD CLEAR], na displeji se zobrazí „OFF“. Funkce prstokladu bude deaktivována.
- 8. START/STOP**
Stisknutím tohoto tlačítka spustíte nebo zastavíte přehrávání vybraného programu.
- 9. SYNC**
Stisknutím tlačítka [SYNC] otevřete funkci synchronizace doprovodu. Stiskněte 19 tlačítek na levém tlačítku synchronizace počínaje stylem; pokud byla spuštěna funkce akordu, stisknutím tohoto 19 tlačítka se současně spustí automatický akord. Pokud se styl přehrává, stisknutím tohoto tlačítka se styl zastaví a otevře se funkce synchronizace doprovodu. Pokud je třeba spustit funkci synchronizace. Stisknutím tohoto tlačítka ji ukončíte.
- 10. INTRO/ENDING**

Stisknutím tlačítka **[INTRO/ENDING]** spustíte přehrávání preludia. Pro pokračování otočte na běžný rytmus. Během přehrávání Rhythm stiskněte tlačítko **[INTRO/ENDING]** pro zahájení přehrávání kódu pro ukončení.

11. FILL IN

Během přehrávání stylu stiskněte tlačítko **[FILL IN]**. Tato funkce může vložit můstek pro zlepšení výkonu a poté pokračovat v původním tempu.

12. METRONOME

Na klaviatuře jsou uloženy 4 druhy metronomů: V nabídce jsou dva metronomy: 1/4 taktu, 2/4 taktu, 3/4 taktu a 4/4 taktu. Stisknutím tlačítka **[METRONOME]** jednou nastavíte rytmus na 1/4 taktu, dvakrát na 2/4 taktu atd. pátým stisknutím funkci zrušíte.

13. PANEL BICÍCH NÁSTROJŮ

Stiskněte jedno z tlačítek Percussion. Pro tuto klaviaturu je k dispozici 8 druhů perkusí.

- Dřevěný blok L
- Hand Clap
- Hi-Hat Open
- Hi-Hat Closed
- Snare L
- Bongo L
- Basový buben H Měkký
- Basový buben L

14. VOICE

Tato klaviatura nabízí 300 druhů hlasů pro váš výběr. (Příloha I) Stisknutím tlačítka **[VOICE]** vyberte hlas stisknutím číselných tlačítek **[0-9]** nebo tlačítek **[+ / -]**. Seznam hlasů naleznete v příloze.

15. STYLE

Tato klaviatura nabízí 300 stylů pro váš výběr (Dodatek II) Stisknutím tlačítka **[STYLE]** vyberte styl stisknutím tlačítek **[0-9]** číslo nebo **[+ / -]**. Seznam stylů naleznete v příloze. Stiskněte čísla v rámci limitu, jinak je zadávání neúčinné.

16. SONG

Stisknutím tlačítka **[SONG]** vstoupíte do režimu skladby. Poté stisknutím číselných tlačítek vyberte oblíbenou skladbu. Chvilku počkejte a poté stisknutím tlačítka **[DEMO]** spustíte přehrávání skladby.

17. RECORD

Stiskněte tlačítko **[RECORD]** a můžete si přehrávanou hudbu nahrát.

18. PLAY

Stisknutím tlačítka **[PLAY]** přehrajete nahrané noty nebo rytmy.

19. PROGRAM

Stisknutím tlačítka **[PROGRAM]** vstoupíte do režimu programování stylu.

20. DEMO

Celkem 50 demosnímků, veškeré podrobnosti naleznete v příloze III.

Stiskněte tlačítko **[DEMO]**, přehraje skladby v režimu kontinuálního přehrávání a začne od skladby NO. "00" až "49" nebo stisknutím tlačítek **[+ / -]** vyberte správná čísla požadovaných skladeb. Pokud chcete přehrávání zastavit, stiskněte znovu tlačítko **[DEMO]** nebo stiskněte tlačítko **[START/STOP]**.

21. NUMERICKÁ KLÁVESNICE A TLAČÍTKA [- / +]

Číselná tlačítka pro zadání přesné hodnoty.

22. SUSTAIN

Stiskněte tlačítko **[SUSTAIN]** a aktivuje se efekt sustain. Stiskněte toto tlačítko znovu a efekt sustain bude deaktivován.

23. VIBRATO

Stisknutím tlačítka **[VIBRATO]** získáte vibrační zvuk. Stiskněte znovu tlačítko **[VIBRATO]** a vibrační efekt bude deaktivován.

24. KEYBOARD SPLIT

Pro normální stav stiskněte tlačítko **[KEYBOARD SPLIT]** pro vstup do režimu dvojité klávesnice, začala se rozdělovat na dvě oblasti. Na levé straně klávesnice je 24 kláves přednastaveným hlasem a rozdělí se se zbývajících klávesnicí.

Opětovným stisknutím tlačítka **[KEYBOARD SPLIT]** tuto funkci vypnete.

25. TEACHING A/B

Stisknutím tlačítka **[TEACHING A/B]** vstoupíte do funkce výuky.

26. SPEAKERS

Reproduktory pro reprodukci zvuku přehrávané hudby. úroveň zvuku se určuje na základě nastavení hlasitosti.

CONNECTIONS

27. MIKROFONNÍ VSTUP

Připojte mikrofon k portu MIC, abyste mohli zpívat při hře na klaviaturu.

28. SLUCHÁTKA/VÝSTUP

Při připojení sluchátek do portu PHONES/OUTPUT se automaticky vypne reproduktor.

Můžete vystupovat, aniž byste rušili ostatní a ostatní rušili vás.

29. DC INPUT (STEJNOSMĚRNÝ VSTUP)

Zásuvka pro připojení dodaného 9V adaptéru



NEŽ ZAČNETE

NAPÁJENÍ:

- **Pomocí AC-DC adaptéru:**

Použijte speciální napájecí adaptér, kterým je tato elektronická klávesnice vybavena, nebo napájecí adaptér s výstupním napětím DC 9V 500mA. Zasuňte DC zástrčku nebo napájecí adaptér do DC 9V napájecího konektoru na zadním panelu elektronické klávesnice, druhý konec zasuňte do hlavní zásuvky, zapněte vypínač a začněte hrát.

- **Použití baterií (nejsou součástí dodávky):**

Otevřete kryt prostoru pro baterie umístěný na spodním panelu elektronické klaviatury. Vložte 6 ks baterií typu AA, přičemž dbejte na dodržení označení polarit na skříni. Nasadte zpět kryt přihrádky a ujistěte se, že je pevně zajištěn na svém místě.

- Umístěte notový stojan do slotu klaviatury.

NAHRÁVÁNÍ

- Stisknutím tlačítka **[RECORD]** přejděte do režimu nahrávání. Stisknutím libovolného tlačítka spustíte nahrávání. Maximální počet nahrávacích tónů je 48. Když se na displeji zobrazí „Full“, nebude možné pokračovat v nahrávání dalšího tónu.
- Stisknutím tlačítka **[PLAY]** přehrajete nahranou hudbu. Na displeji se zobrazí „Ply“. Opětovným stisknutím tlačítka nahrávání ukončíte nahrávání a spustíte nový záznam.
- Stisknutím tlačítka **[PROG]** aktivujete funkci programování rytmů, na displeji se zobrazí „Prg“ a aktivuje se funkce bicích kláves. Maximálně lze naprogramovat 32 perkusí, poté se na displeji zobrazí „FUL“ a programování se automaticky ukončí. Stisknutím tlačítka **[PLAY]** přehrajete programovaný rytmus. Stisknutím tlačítka **[START/STOP]** nebo opětovným stisknutím tlačítka **[PROG]** deaktivujete funkci programování. Všechny nahrané rytmy budou odstraněny.

FUNKCE VÝUKY

Tlačítko **[SONG]** může pomoci snadno vstoupit do režimu výuky a výběru dema.

- Stiskněte tlačítko **[SONG]**. Poté stisknutím čísla vyberte skladbu, kterou se chcete naučit. Chvilku počkejte a poté stiskněte tlačítko **[TEACHING A]** nebo **[TEACHING B]** pro zahájení výuky.
- **Teaching A:** učení správného nebo nesprávného přehrávání záznamu, vyše správný zvuk a pokračuje v přehrávání skladby.
- **Teaching B:** sledujte displej podle tot správné noty, hraním automaticky zadáte další notu.

DODATEK I (VOICE)

0 Acoustic Grand Piano	75 Pan Flute	150 Magic Electronic	225 Baritone Sax ensemble
1 Bright Acoustic Piano	76 Bottle Blow	151 Bright violin	226 Crystal Sax
2 Electric Grand Piano	77 Shakuhachi	152 Atonic Violin	227 Soft Baritone Sax
3 Honky-tonk Piano	78 Whistle	153 Heavy 151 Bright Violin	228 Synth Baritone Sax
4 Rhodes Piano	79 Ocarina	154 Synth Clarinet	229 Heavy metal Sax
5 Chorused Piano	80 Lead 1 (square)	155 Interactive Lead	230 Church Oboe
6 Harpsichord	81 Lead 2 (sawtooth)	156 For the keyboard	231 Oboe ensemble
7 Clavichord	82 Lead 3 (caliope lead)	157 Baggpipes	232 Bass Oboe
8 Celesta	83 Lead 4 (chiff lead)	158 Suona	233 Bright Oboe
9 Glockenspiel	84 Lead 5 (charang)	159 Pipa	234 distortio oboe
10 Music man	85 Lead 6 (voice)	160 Church Piano	235 English Horn ensemble
11 Vibraphone	86 Lead 7 (fifths)	161 Church electric Piano	236 Pizzicato English Horn
12 Marimba	87 Lead 8 (bass+lead)	162 Synth Piano	237 Diplophonia English Horn
13 Xylophone	88 Pad 1 (new age)	163 Baritone Piano	238 Bright English Horn
14 Tubular Bells	89 Pad 2 (warm)	164 Piano PAD	239 Synth English Horn
15 Dulcimer	90 Pad 3 (polysynth)	165 String Piano	240 Psychedelic Synth Lead
16 Hammond Organ	91 Pad 4 (choir)	166 Metal Piano	241 Vibraphone Synth Lead
17 Percussive Organ	92 Pad 5 (bowed)	167 Light rhythm Piano	242 Marimba Synth Lead
18 Rock Organ	93 Pad 6 (metallic)	168 electric Piano Pad	243 Metal FX
19 Church Organ	94 Pad 7 (halo)	169 Classical piano	244 Electronic FX
20 Reed Organ	95 Pad 8 (sweep)	170 Guitar organ	245 Electronic String Ensemble
21 Accordion	96 FX 1 (rain)	171 An electric guitar	246 Wind FX
22 Harmonica	97 FX 2 (soundtrack)	172 synthesis Nylon Guitar	247 Clarinet FX
23 Tango Accordion	98 FX 3 (crystal)	173 Synthetic electronic guitar	248 Organ FX
24 Acoustic Guitar (nylon)	99 FX 4 (atmosphere)	174 Bright clean Guitar	249 Crystal FX
25 Acoustic Guitar (steel)	100 FX 5 (brightness)	175 Orchestra Guitar	250 Synth Shamisen
26 Electric Guitar (jazz)	101 FX 6 (goblins)	176 Psychedelic Guitar	251 Electronic Shamisen
27 Electric Guitar (clean)	102 FX 7 (echoes)	177 Bright Organ	252 Bright Sitar
28 Electric Guitar (muted)	103 FX 8 (sci-fi)	178 Pick Organ	253 Whistle Accord
29 Overdriven Guitar	104 Sitar	179 Synth Accordion	254 rhythm Nation
30 Distortion Guitar	105 Banjo	180 Bright Violin	255 Bright Koto
31 Guitar Harmonics	106 Shamisen	181 Stringed Violin	256 Koto Lead
32 Acoustic Bass	107 Koto	182 Trill Violin	257 Diplophonia Koto
33 Electric Bass(finger)	108 Kalimba	183 Electronic Violin	258 Baritone Koto
34 Electric Bass (pick)	109 Baggpipe	184 Large Violin	259 Synth Koto
35 Fretless Bass	110 Fiddle	185 rhythm Orchestra	260 Environmental Lead
36 Slap Bass 1	111 Shanai	186 Pizzicato Violin	261 Metal Lead
37 Slap Bass 2	112 Tinkle Bell	187 Pizzicato Ensemble 1	262 Orchestra Lead
38 Synth Bass 1	113 Agogo	188 Pizzicato Ensemble 2	263 Glockenspiel Lead
39 Synth Bass 2	114 Steel Drums	189 Percussion Band	264 Bass Lead
40 Violin	115 Woodblock	190 Baritone Synth Contrabass	265 Fifths Lead
41 Viola	116 Taiko Drum	191 Bass Flute	266 Wind Lead
42 Cello	117 Melodic Tom	192 Distortion Contrabass	267 Atmosphere Lead
43 Contra Bass	118 Synth Drum	193 Contrabass Lead	268 Sharp Lead
44 Tremolo Strings	119 Reverse Cymbal	194 Violin Lead	269 Bright Lead
45 Pizzicato Strings	120 Guitar Fret Noise	195 Cello Lead	270 East Nation Pad
46 Orchestral Harp	121 Breath Noise	196 Pizzicato Rhythm	271 Atmosphere Pad
47 Timpani	122 Seashore	197 High Harp	272 Electric bass Pad
48 String Ensemble 1	123 Bird Tweet	198 Harp ensemble	273 electric Piano Pad
49 String Ensemble 2	124 Telephone Ring	199 Synth Harp	274 Clean Guitar Pad
50 Synth Strings 1	125 Helicopter	200 Baritone Trumpet	275 Western Pad
51 Synth Strings 2	126 Applause	201 Trumpet ensemble	276 Sci-fi Pad
52 Choir Aahs	127 Gunshot	202 Rhythm Trumpet	277 Metal Sci-fi Pad
53 Voice Oohs	128 Percussion	203 High Trumpet	278 Clarinet Pad
54 Synth Voice	129 Rhythm electric Piano	204 Synth Trumpet	279 Electronic dance Pad
55 Orchestra Hit	130 Baritone Xylophone	205 Baritone Trombone	280 Double Kalimba
56 Trumpet	131 Clean Piano	206 Trombone ensemble	281 Bright Kalimba
57 Trombone	132 Bright Dulcimer	207 Rhythm Trombone	282 Crystal Kalimba
58 Tuba	133 Rhythm Grand Piano	208 High Trombone	283 Synth Kalimba
59 Muted Trumpet	134 Traditional Piano	209 Baritone Trombone	284 Electronic Baggpipe
60 French Horn	135 Aluminium jean	210 Synth Trombone	285 Wind Baggpipe
61 Brass Section	136 Rock Grand Piano	211 Violin French Horn	286 High Baggpipe
62 Synth Brass 1	137 Electronic organ	212 French Horn ensemble	287 Bright Baggpipe
63 Synth Brass 2	138 Psychedelic electronic	213 Electronic French Horn	288 Orchestra Baggpipe
64 Soprano Sax	139 Water jean	214 Synth French Horn	289 Baritone Baggpipe
65 Alto Sax	140 Bright Guitar	215 Psychedelic Synth Brass	290 Environmental Shanai
66 Tenor Sax	141 Orchestra piccolo	216 Distortion Synth Brass	291 Baritone Shanai
67 Baritone Sax	142 Heavy metal guitar	217 Vibraphone Synth Brass	292 Tenor Shanai
68 Oboe	143 Crystal guitar	218 Rock Synth Brass	293 high Shanai
69 English Horn	144 Queer electric Piano	219 Synth Muted Trumpet	294 Synth Shanai
70 Bassoon	145 Bright bass	220 Soprano Sax ensemble	295 Bright Steel Drums
71 Clarinet	146 Rock Electric Bass	221 rhythm Soprano Sax	296 Steel Drums Lead
72 Piccolo	147 Rhythm Electric Bass	222 Synth Soprano Sax	297 Lyric Steel Drums
73 Flute	148 Psychedelic Bass	223 National Sax	298 Orchestra Steel Drums
74 Recorder	149 Heavy Metal Bass	224 Metal Sax	299 Synth Steel Drums

DODATEK II (STYLE)

00 Beat 1	75 Mambo	150 Heavy Metal Rock 2	225 Progressive House
01 Beat 2	76 Samba	151 70' Rock	226 Epic House
02 Beat 3	77 Reggae	152 80' Rock	227 Trible House
03 Beat 4	78 Rhumba	153 Middle Eastern Rock	228 Big Beat
04 Beat 5	79 Tango	154 Traditional Rock	229 Down Tempo
05 Beat 6	80 Habanera	155 Rock Disco	230 Electro 1
06 Beat 7	81 March 1	156 Modern Dance 1	231 Electro 2
07 Beat 8	82 March 2	157 Modern Dance 2	232 Electro 3
08 Beat 9	83 Polka 1	158 Modern Dance 3	233 House Dance
09 Beat 10	84 Polka 2	159 Modern Dance 4	234 Idm
10 Beat 11	85 Polka 3	160 Modern Dance 5	235 Jungle Drum
11 Beat 12	86 Vallenato	161 New Century 1	236 Techno
12 Beat 13	87 Waltz 1	162 New Century 2	237 Trance
13 Beat 14	88 Waltz 2	163 New Century 3	238 Trip-Hop
14 Rock 1	89 Waltz 3	164 Rock Dance 1	239 Experimental Electronic
15 Rock 2	90 Pop	165 Rock Dance 2	240 Western Swing
16 Cntr Rock	91 Love Ballad	166 Psyche Delic 1	241 Alt-Country
17 Country Rock	92 Easy Beat	167 Psyche Delic 2	242 Americana
18 Dance Rock	93 Soft Beat	168 Soft Rock	243 Charanga
19 Easy Rock	94 Shuffle	169 Post Rock	244 Tropical
20 Glam Rock	95 Cobmo	170 Goth Psychedelic	245 Ambient
21 Hard Rock 1	96 Shuffle 1	171 Soul Psychedelic 1	246 Punk Metal
22 Hard Rock 2	97 Shuffle 2	172 Soul Psychedelic 2	247 Experimental Rock
23 Pop_Rock	98 Slow Folk	173 Soul Psychedelic 3	248 Noise-Rock
24 Rock+Roll	99 Step	174 Soul Psychedelic 4	249 Celtic New Age
25 Rock Beat	100 Euro Pop	175 Psychedelic Swing	250 Ethnic Fusion
26 Rock Folk	101 Bachata Beat 1	176 Country Blues	251 Techno-Tribal
27 Rocky Pop	102 Bachata Beat 2	177 Electric Blues	252 Experimental
28 Dance 1	103 Africa Bossanova	178 Folk Blues	253 Minimalism
29 Dance 2	104 China Dance	179 Jazz Blues	254 Traditional Pop
30 Dance 3	105 Pop Beat	180 Jump Blues	255 Noise
31 Dance 4	106 Vienna Waltz	181 New Orleans Blues	256 Classical Beat 1
32 Dance 5	107 Africa Beat	182 New York Blues	257 Classical Beat2
33 Dance 6	108 Africa Mambo	183 Piano Blues	258 Classical Beat 3
34 Dance 7	109 Euro March 1	184 Soul Blues	259 Classical Beat 4
35 Dance 8	110 Euro March 2	185 Urban Blues	260 Classical Beat 5
36 Dance 9	111 Euro Merengue 1	186 Afro Beat	261 Classical Beat 6
37 Dance 10	112 Euro Merengue 2	187 Afro Pop	262 Classical Beat 7
38 Soul Funk	113 Mideast Dance	188 Celtic Pop	263 Classical Beat 8
39 Euro Soul	114 Africa Dance	189 Hawaiiian Pop	264 Classical Beat 9
40 Funky Soul	115 Pop Samba 1	190 Indian Pop	265 Classical Beat 10
41 Funky Soul 2	116 Pop Samba 2	191 European Traditions	266 Classical Beat 11
42 Funky Soul 3	117 Africa Reggae	192 World Fusion	267 Classical Beat 12
43 Funky Soul 4	118 Euro Rhumba 1	193 DouJin	268 Classical Beat 13
44 Funky Soul 5	119 Euro Rhumba 2	194 Shima Uta	269 Classical Beat 14
45 Slow Soul 1	120 India Samba 1	195 Enka	270 Contemporary R&B 1
46 Slow Soul 2	121 India Samba 2	196 Japanese Folk Music	271 Contemporary R&B 2
47 Soul	122 Jazz Soul	197 Middle East Pop	272 Contemporary R&B
48 Big Band 1	123 Country Swing 1	198 Pop Baiao	273 Contemporary R&B4
49 Big Band 2	124 Country Swing 2	199 Pop Bequine	274 Contemporary R&B5
50 Blue Grass	125 Country Swing 3	200 New Age Latin	275 Deep Funk
51 Jazz Samba	126 Pop Waltz	201 New Bossanova	276 Doo Wop
52 Jazz Waltz	127 Pop Classic	202 Rock Lambada	277 Left-Field Hip-Hop
53 Jazz 1	128 Oriental Beat 1	203 Blues Mambo	278 Motown
54 Jazz 2	129 Oriental Beat 2	204 Pop Samba	279 Neo-Soul 1
55 Swing 1	130 Oriental Beat 3	205 Reggae Ballad	280 Neo-Soul 2
56 Swing 2	131 Oriental Beat 4	206 Pop Rhumba	281 Neo-Soul 3
57 Swing 3	132 Oriental Beat 5	207 Rock Tango	282 New Jack Swing
58 Country 1	133 Oriental Beat 6	208 Brit Pop 1	283 Urban
59 Country 2	134 Oriental Beat 7	209 Brit Pop.2	284 Contemporary Instrumental
60 Country 3	135 Oriental Beat 8	210 Brit Pop 3	285 Meditation
61 Country 4	136 Oriental Beat 9	211 Brit Pop 4	286 Neo-Classical 1
62 Country Waltz 1	137 Oriental Beat 10	212 Trip Hop 1	287 Neo-Classical 2
63 Country Waltz 2	138 Oriental Beat 11	213 Trip Hop 2	288 Neo-Classical 3
64 Country 5	139 Oriental Beat 12	214 Chamber Pop	289 New Acoustic
65 Country 6	140 Oriental Beat 13	215 Brit Pop Waltz 1	290 Solo Instrumental
66 Country 7	141 Oriental Beat 14	216 Brit Pop Waltz 2	291 Space
67 Slow Country 1	142 Jazz Rock 1	217 Brit Pop Waltz 3	292 Spiritual
68 Slow Country 2	143 Jazz Rock 2	218 Classical Ballad 1	293 Rock New Age
69 Soul Country	144 Soft Rock	219 Classical Ballad 2	294 Ragtime
70 Baiao	145 Classic Rock	220 Light Ballad	295 Bebop or Bop
71 Bequine	146 Folk Rock 1	221 Rhythm Ballad	296 Cool Jazz
72 Bolero	147 Folk Rock 2	222 Hard House	297 Free Jazz
73 Bossanova	148 Waltz Rock	223 Deep House	298 Jazz-Rock & Fusion
74 Lambada	149 Heavy Metal Rock 1	224 Acid House	299 Jazz Funk

DODATEK III (DEMO SONGS)

No.	The name of song	No.	The name of song	No.	The name of song
00	London Bridge Is Falling Down	17	Hand in hand	34	Prom queen
01	Fantasy	18	Two hundred and fourteen	35	Ni Mengruoze
02	The twist	19	Fkey	36	Nen blauen Donau
03	Butter fly	20	Mozart Symphonies	37	Hawthorn
04	Paddle a canoe	21	The girl's Prayer	38	Mary had a little lamb
05	Country songs	22	Nocturne	39	Yellow ribbon
06	Rhythm of the rain	23	Another day in paradise	40	Toreador Song
07	Serenade	24	Red River Valley	41	Radetzky march
08	Bluegrass Music	25	Green sleeves	42	Radiant
09	Music moment	26	Mozart Piano Sonatas	43	Long Long Ago
10	Merry Christmas	27	Orange and lemon	44	Katyusha
11	American Patrol	28	Hallelujah	45	Susanna
12	Flower	29	Minuet	46	Little star
13	Pour Elise	30	Handshake	47	I Don't Care
14	Direct seeding	31	Rain	48	Minuet in G major
15	Turkey March	32	Pamela	49	Carman Overture
16	A cradle	33	Bnnie Edgar		

TECHNICAL SPECIFICATION / TECHNISCHE SPECIFICATIE / TECHNISCHE DATEN / ESPECIFICACIONES TÉCNICAS / SPÉCIFICATIONS TECHNIQUES / SPECYFIKACJA TECHNICZNA

Number of keys : 54
Display : LCD
Power Supply : 100240VAC 50/60HZ (9V Adapter)
Dimensions : 830 x 330 x 82mm

The specifications are typical. The actual values can slightly change from one unit to the other. Specifications can be changed without prior notice.

The products referred to in this manual conform to the European Community Directives to which they are subject:

European Union

Tronios B.V.,
Bedrijvenpark Twente Noord 18,
7602KR Almelo, The Netherlands

2014/35/EU

2014/30/EU

2011/65/EC



United Kingdom

Tronios Ltd.,
130 Harley Street,
London W1G 7JU, United Kingdom

S.I. 2016:1101

S.I. 2016:1091

S.I. 2012:3032



Specifications and design are subject to change without prior notice.

www.tronios.com

Copyright © 2024 by Tronios The Netherlands



Keyboard Bench 40-60cm

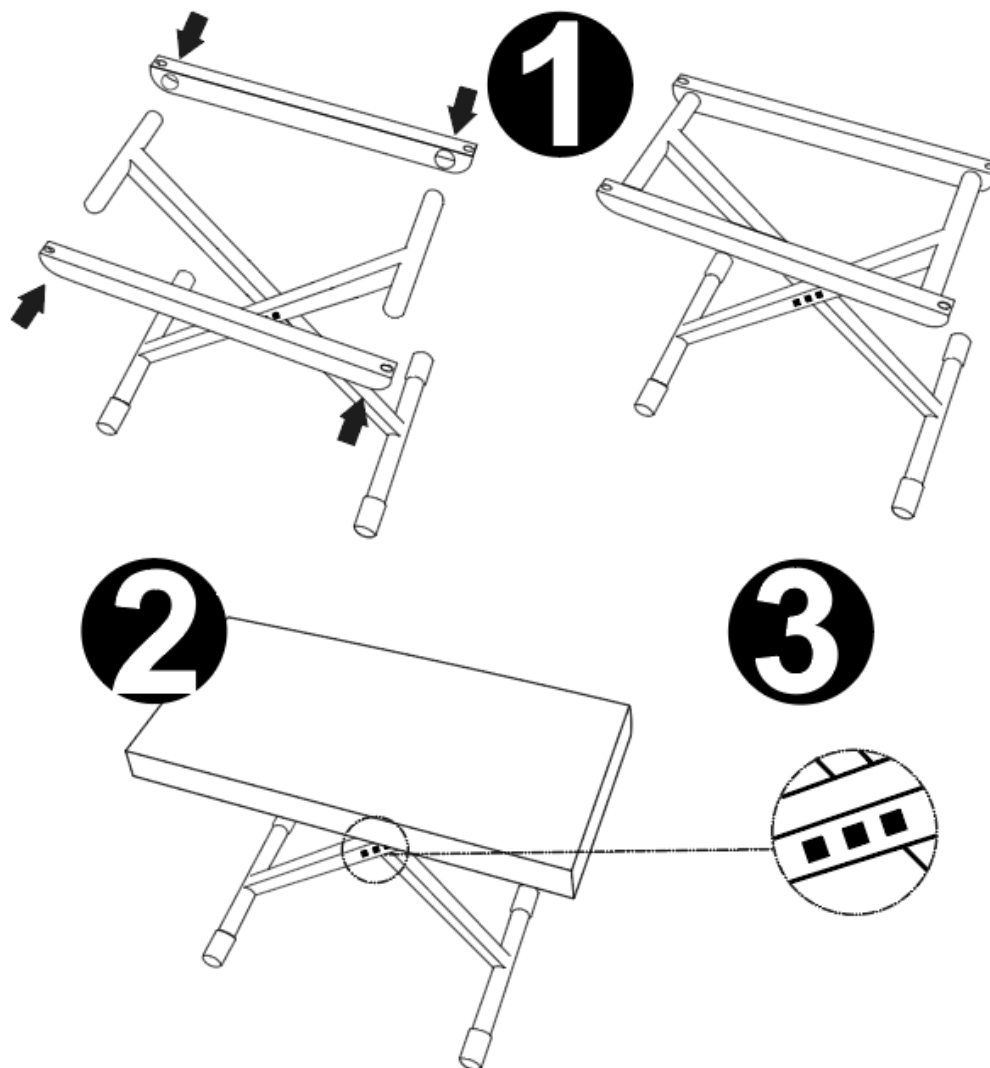
Ref. nr.: 180.211



**INSTRUCTION MANUAL
GEBRUIKSAANWIJZING
GEBRAUCHSANLEITUNG
MANUAL DE INSTRUCCIONES
MANUEL D'INSTRUCTIONS
INSTRUKCJA OBSŁUGI**

V1.0

ASSEMBLY INSTRUCTIONS



1. Attach the longitudinal beams to the cross-stand according to the drawing above.
2. Attach the upholstery by securing it with the supplied bolts (4x), after aligning the holes in the seat and longitudinal beams.
3. Adjust the bench to the correct height by using one of the three adjustment holes (43, 48 or 54cm height).
4. Sit down and play music like never before.

TECHNICAL SPECIFICATION

Material:	Metal
Dimension (internal):	530 x 310 x 540 mm
Height min.:	400mm
Height max.:	600mm
Max weight load (kg):	100,00
Weight (kg):	3,50

The specifications are typical. The actual values can slightly change from one unit to the other. Specifications can be changed without prior notice.

Specifications and design are subject to change without prior notice..

www.tronios.com