

## Q Acoustics Warranty

Q Acoustics loudspeakers are warranted free of defects in materials and workmanship for a period of 5 years from the date of purchase. During the warranty period Q Acoustics will, at its option, repair or replace any product found to be faulty after inspection by the company or its appointed distributor or agent.

Misuse and fair wear and tear are not covered by the warranty.

Goods for repair should, in the first instance, be returned to the supplying dealer. If this is not possible the item/s should be sent carriage paid, preferably in the original packaging, to Q Acoustics or their appointed regional distributor accompanied by proof of purchase. Damage sustained by goods in transit to the repair centre is not covered by the warranty. Return carriage will be paid by Q Acoustics or their distributor as appropriate.

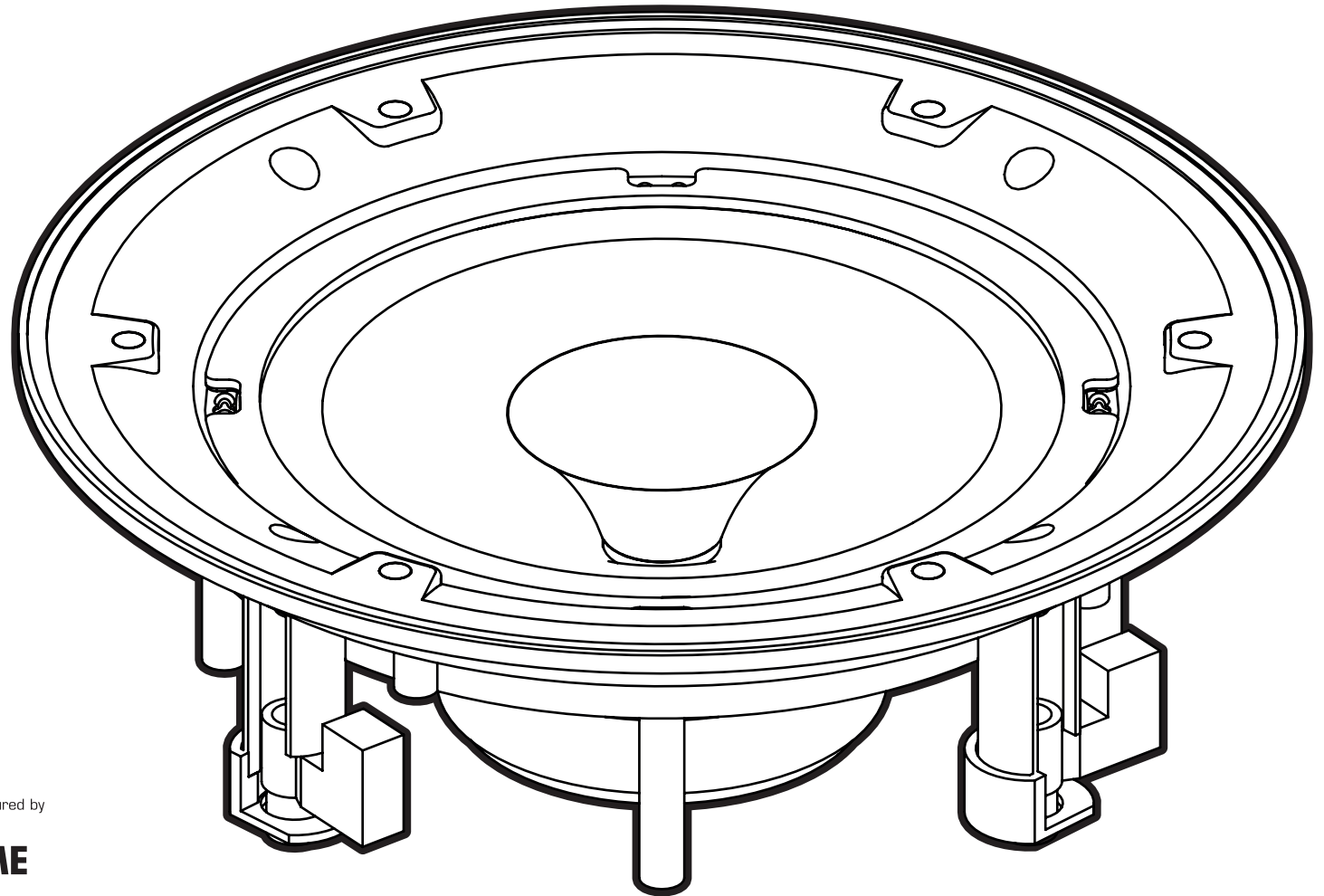
The warranty does not in any way affect your legal rights.



# INSTALL

## IN-CEILING BACKGROUND LOUDSPEAKERS

Quick start installation instructions for Qi 65CB



Q Acoustics is designed and manufactured by

**armourHOME**

Armour Home Electronics Ltd  
Stortford Hall Industrial Park  
Bishops Stortford, Herts,  
CM23 5GZ  
UNITED KINGDOM

[www.Qacoustics.co.uk](http://www.Qacoustics.co.uk)

Q147604S\_r2

**Thank you for purchasing Q Acoustics loudspeakers.**  
**Please take a few minutes to familiarise yourself with the installation procedure.**  
**The speakers are designed for installation into plasterboard ceilings or stud wall cavities.**

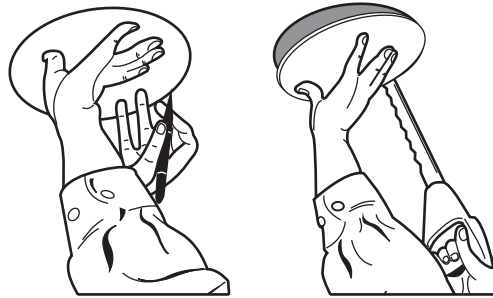
**Warning Notices**

- Before cutting the mounting hole ensure that there is no conflict with other in-ceiling or in-wall installed items such as pipe work, electrical cabling, gas pipes and supporting joists etc.
- It is important to ensure that the installation complies with all relevant building regulations.
- Take care not to apply pressure to the speaker cone and tweeter dome during installation.
- Ensure that the speaker model is suitable for use in the intended application. The QI 65CB should not be used where there are high levels of moisture.

**INSTALLING THE SPEAKERS**

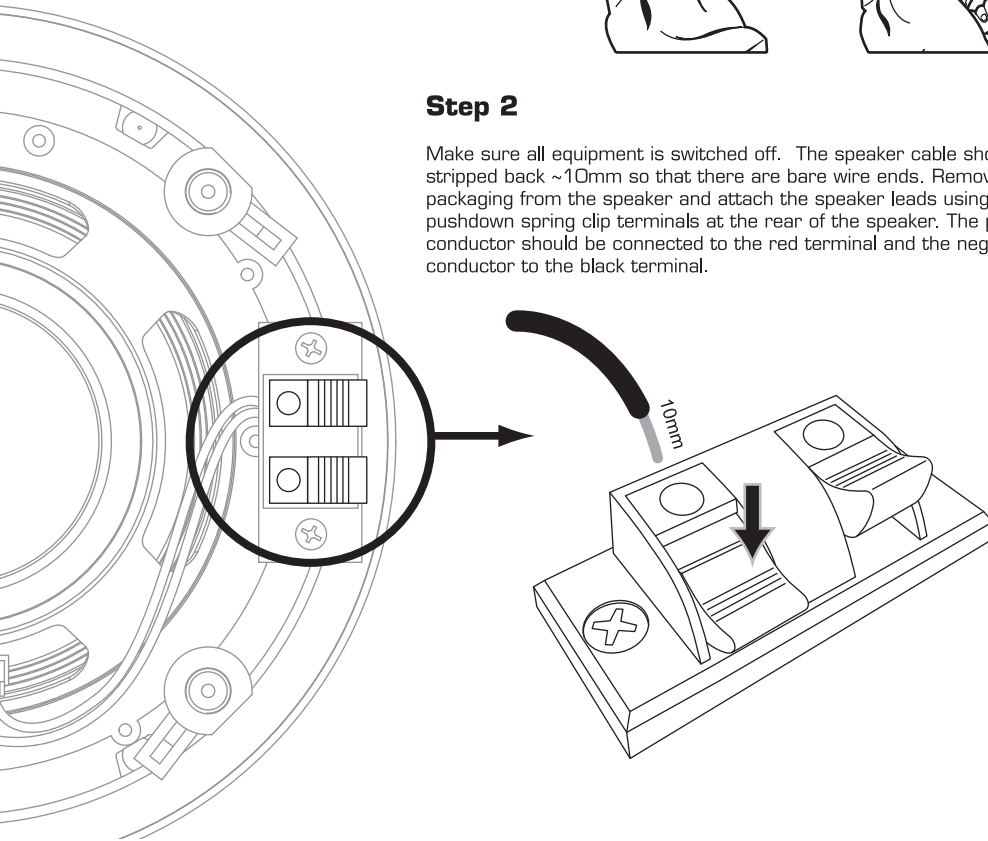
**Step 1**

Select a suitable mounting location for the speaker taking note of the Warning Notices above. Using the installation template supplied mark the speaker position and cut the mounting hole.



**Step 2**

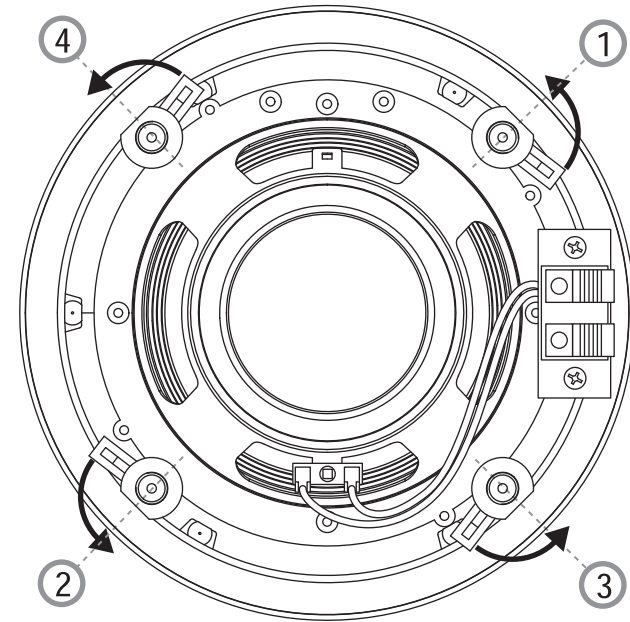
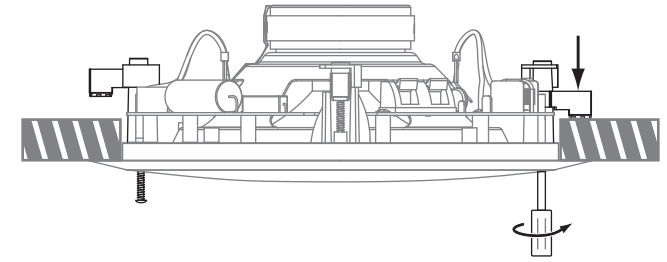
Make sure all equipment is switched off. The speaker cable should be stripped back ~10mm so that there are bare wire ends. Remove the packaging from the speaker and attach the speaker leads using the pushdown spring clip terminals at the rear of the speaker. The positive conductor should be connected to the red terminal and the negative conductor to the black terminal.



**Step 3**

Check that each of the 4 swing out clamps are rotated inwards. Push the speaker through the mounting hole and position flush with the ceiling.

Whilst holding the speaker in place tighten each of the mounting screws using a No. 2 Pozidriv® screw driver in the order shown in the diagram (below). When an increase in resistance is felt the clamp is in position.



**Step 4**

Once the speakers are installed they should be tested before the grilles are fitted.

**Step 5**

Locate the grille over the speaker bezel where it will be pulled into place.

**Grille backing cloth**

A white backing cloth behind the grille helps minimize visual contrast with the ceiling. For the very best sound performance it is recommended that this cloth is removed before use or after painting. To remove simply peel away the backing cloth from the grille.

# HOODY 7 (Non-Acoustic) Ceiling Speaker Fire Hood

Call for Price

IN STOCK

SKU: HOODY7



Description	Specification	Dimensions	Downloads	Reviews
-------------	---------------	------------	-----------	---------

- Retains ceiling's fire protection integrity
- Lightweight & flexible cover fitted from below the ceiling
- Installed in seconds. Maintenance free
- Can be used for retro fit or new build installations
- Can be used in suspended or plasterboard ceilings
- Fully complies with all UK and EU legislation under **BS EN1363-1 2020** for up to 90 minutes which meets and exceeds Document B Building Regulations **BS476 Part 23 & 21** (relating to audio and fire dispersion in the home Parts E & F – 2004)
- Also complies with 18th Edition IEE Regulations
- Tested to EN 6069 (1997)

## Remote 952.450, 952.452, 952.454, 952.456, 952.460



1. Standby On/Off
2. Volume up
3. Volume down
4. Direction Prev/Next Up/Down
5. Play/Pauze
6. Mute
7. Select USB input
8. Select Bluetooth
9. Select Aux in

## Afstandsbediening 952.450, 952.452, 952.454, 952.456, 952460



1. Stand-by Aan/Uit
2. Volume omhoog
3. Volume omlaag
4. Richting Vorige/Volgende omhoog/omlaag
5. Afspelen/Pauze
6. Geluid dempen
7. Selecteer USB
8. Selecteer Bluetooth
9. Selecteer Aux in



802.767 **RL CONNEX**

## **RX30 Universal Cable Red & Black 2 x 0.75mm<sup>2</sup> 10m**

10m Standard quality Red & Black stranded power 2x 0.75mm cable for automotive and other applications.

Product colour : Black, Red  
CSA : 0.75mm<sup>2</sup>  
Conductor : 24x0.2mm  
Sheath : Black, Red  
Outer diameter : 2.75 x 6mm  
Weight (kg) : 0,25