

Q Acoustics Warranty

Q Acoustics loudspeakers are warranted free of defects in materials and workmanship for a period of 5 years from the date of purchase. During the warranty period Q Acoustics will, at its option, repair or replace any product found to be faulty after inspection by the company or its appointed distributor or agent.

Misuse and fair wear and tear are not covered by the warranty.

Goods for repair should, in the first instance, be returned to the supplying dealer. If this is not possible the item/s should be sent carriage paid, preferably in the original packaging, to Q Acoustics or their appointed regional distributor accompanied by proof of purchase. Damage sustained by goods in transit to the repair centre is not covered by the warranty. Return carriage will be paid by Q Acoustics or their distributor as appropriate.

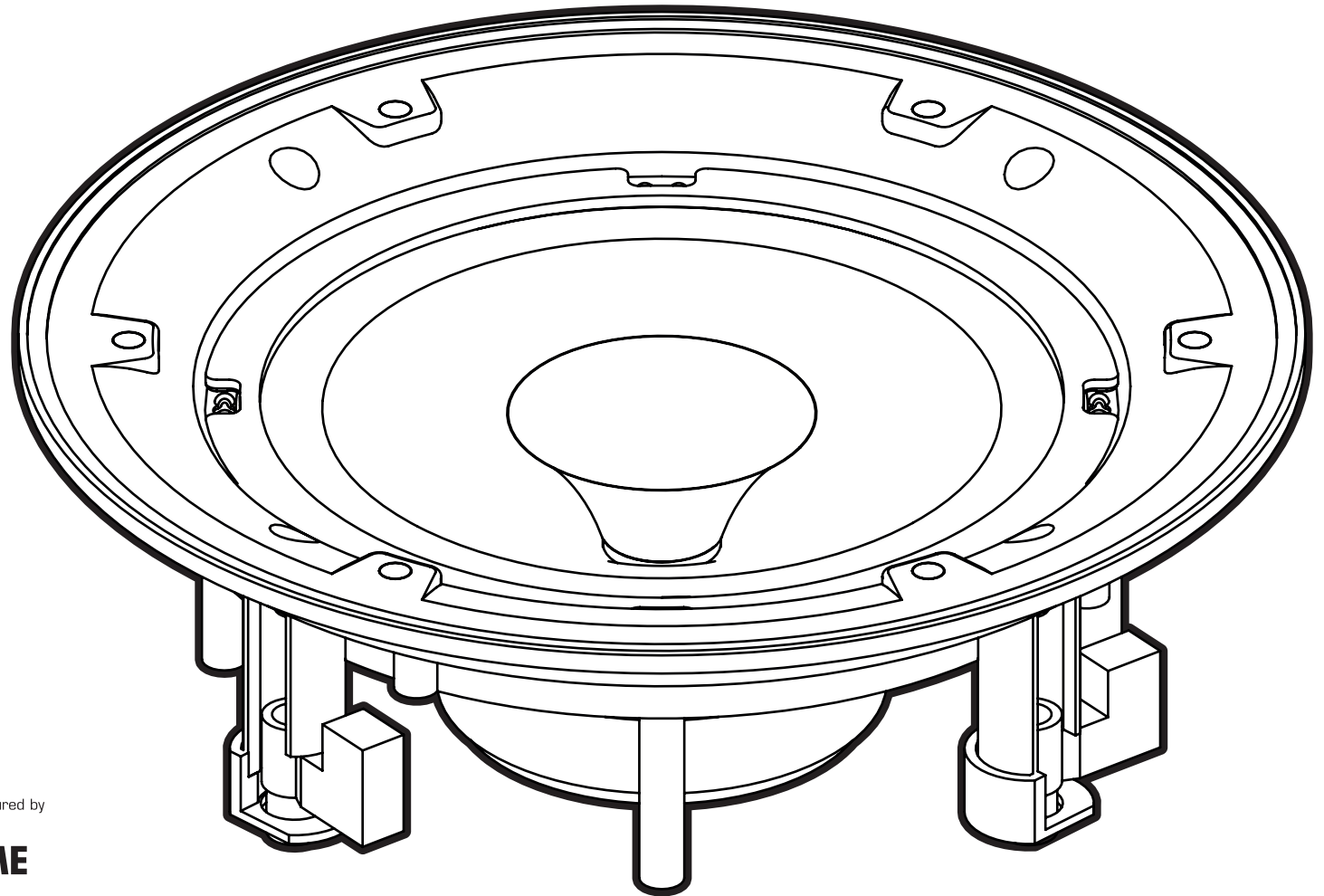
The warranty does not in any way affect your legal rights.



INSTALL

IN-CEILING BACKGROUND LOUDSPEAKERS

Quick start installation instructions for Qi 65CB



Q Acoustics is designed and manufactured by

armourHOME

Armour Home Electronics Ltd
Stortford Hall Industrial Park
Bishops Stortford, Herts,
CM23 5GZ
UNITED KINGDOM

www.Qacoustics.co.uk

Q147604S_r2

**Thank you for purchasing Q Acoustics loudspeakers.
Please take a few minutes to familiarise yourself with the installation procedure.
The speakers are designed for installation into plasterboard ceilings or stud wall cavities.**

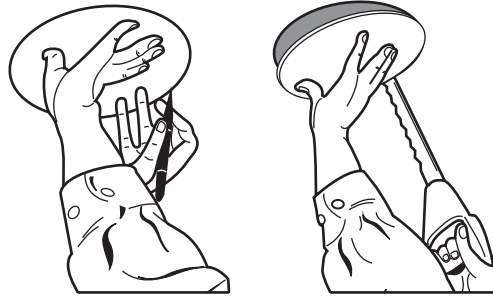
Warning Notices

- Before cutting the mounting hole ensure that there is no conflict with other in-ceiling or in-wall installed items such as pipe work, electrical cabling, gas pipes and supporting joists etc.
- It is important to ensure that the installation complies with all relevant building regulations.
- Take care not to apply pressure to the speaker cone and tweeter dome during installation.
- Ensure that the speaker model is suitable for use in the intended application. The QI 65CB should not be used where there are high levels of moisture.

INSTALLING THE SPEAKERS

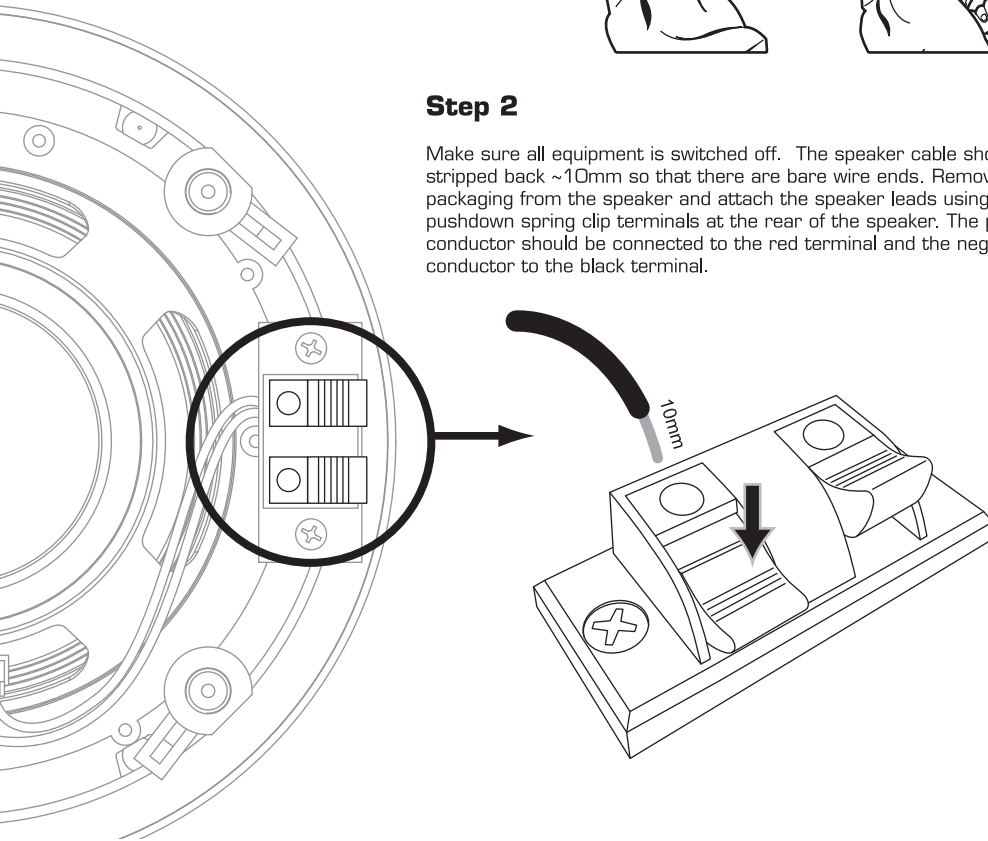
Step 1

Select a suitable mounting location for the speaker taking note of the Warning Notices above. Using the installation template supplied mark the speaker position and cut the mounting hole.



Step 2

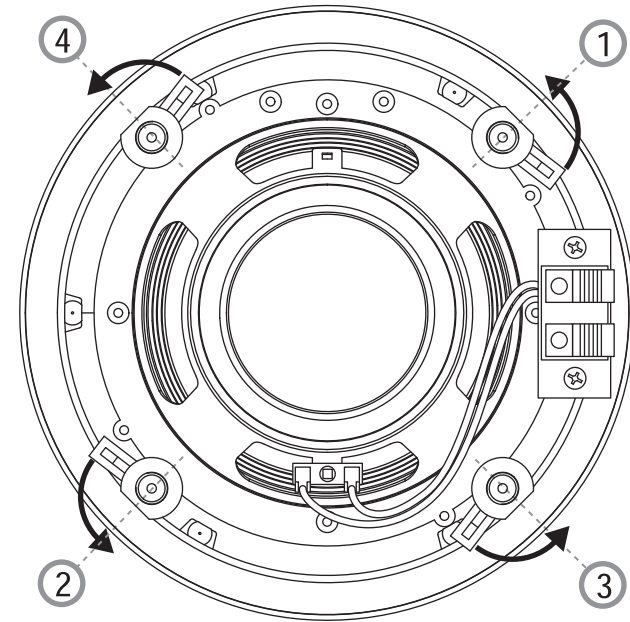
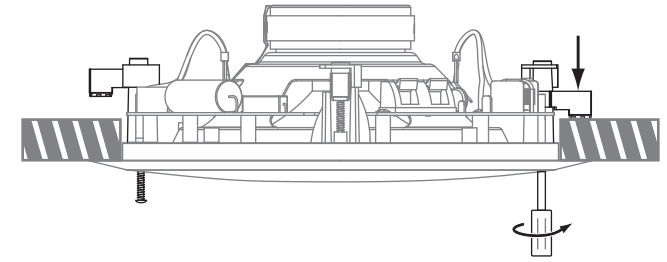
Make sure all equipment is switched off. The speaker cable should be stripped back ~10mm so that there are bare wire ends. Remove the packaging from the speaker and attach the speaker leads using the pushdown spring clip terminals at the rear of the speaker. The positive conductor should be connected to the red terminal and the negative conductor to the black terminal.



Step 3

Check that each of the 4 swing out clamps are rotated inwards. Push the speaker through the mounting hole and position flush with the ceiling.

Whilst holding the speaker in place tighten each of the mounting screws using a No. 2 Pozidriv® screw driver in the order shown in the diagram (below). When an increase in resistance is felt the clamp is in position.



Step 4

Once the speakers are installed they should be tested before the grilles are fitted.

Step 5

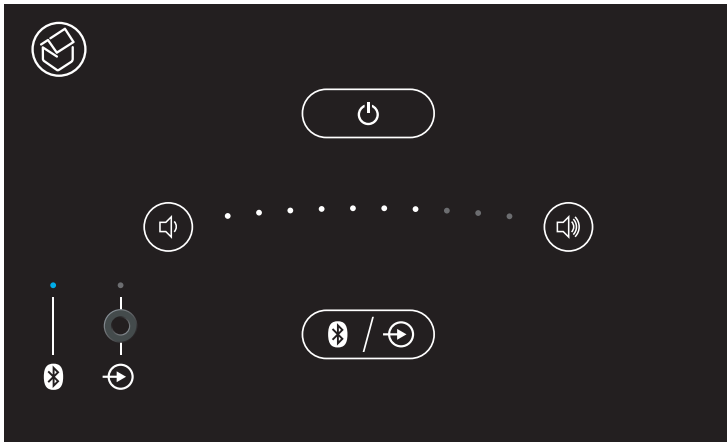
Locate the grille over the speaker bezel where it will be pulled into place.

Grille backing cloth

A white backing cloth behind the grille helps minimize visual contrast with the ceiling. For the very best sound performance it is recommended that this cloth is removed before use or after painting. To remove simply peel away the backing cloth from the grille.

E50/E50w User Guide

*Built-in **Bluetooth**® Hi-Fi amplifier / touch panel*



Important Safety Instructions



CAUTION: To reduce the risk of electric shock, do not remove the cover. No user-serviceable parts inside. Refer to qualified personnel.

WARNING: To reduce the risk of fire or electric shock, do not expose this appliance to rain or moisture.



The lightning flash with arrowhead within an equilateral triangle is intended to alert the user to the presence of an uninsulated “dangerous voltage” within the product’s enclosure, that may be of sufficient magnitude to constitute a risk of electrical shock to persons.



The exclamation mark within an equilateral triangle is intended to alert the user to the presence of important operating maintenance (servicing) instructions in the guide accompanying this device.

Read Instructions: All the safety and operating instructions should be read before the unit is operated.

Retain Instructions: The safety and operating instructions should be retained for future reference.

Heed Warnings: All warnings on the unit and in the operating instructions should be followed.

Follow Instructions: All operating instructions should be followed.

Cleaning: Unplug the unit from the wall outlet before cleaning. The unit should be cleaned only with a lint free dry cloth.

Attachments: Only use attachments recommended by the manufacturer as non-recommended attachments may cause hazards.

Water and Moisture: Do not use the unit near water—for example, near a bath tub, wash bowl, kitchen sink, or laundry tub; in a wet basement; or near a swimming pool.

Accessories: Do not place the unit on an unstable surface, stand, tripod, bracket, or table. The unit may fall, causing serious injury to yourself or others, and serious damage to the unit.

Ventilation: Do not place in a location or position that will interfere with the unit’s ventilation. Do not operate on a bed, sofa, rug, or other similar surface.

Power Sources: The unit should be operated only from the type of power source indicated on the marking label. If you are not sure of the type of power supplied to your home, consult your local power company.

Power-Cord Protection: Power-supply cords should be routed so that they are not likely to be walked on or pinched by items placed upon or against them, paying particular attention to cords where they enter a plug, or exit from the unit.

Lightning: For added protection for the unit during a lightning storm, or when it is left unattended and unused for long periods of time, unplug it from the wall outlet and disconnect from other devices. This will prevent damage to the unit due to lightning and power-line surges.

Overloading: Do not overload wall outlets, extension cords, or integral convenience receptacles as this can result in a risk of fire or electric shock.

Object and Liquid Entry: Never push objects of any kind into the unit through openings as they may touch dangerous voltage points or short-out parts that could result in a fire or electric shock. Never spill liquid of any kind on the unit.

Servicing: Do not attempt to service the unit yourself as opening or removing covers may expose you to dangerous voltage or other hazards. Refer all servicing to qualified service personnel.

Damage Requiring Service: Unplug the unit from the wall outlet and refer servicing to qualified personnel under the following conditions:

- When the power-supply cord or plug is damaged,
- If liquid has been spilled, or objects have fallen into the unit,
- If the unit has been exposed to rain or water,
- If the unit does not operate normally by following the operating instructions,
- If the unit has been dropped or damaged in any way.
- When the unit exhibits a distinct change in performance— this indicates a need for service.

Replacement Parts: When replacement parts are required, be sure the service technician uses replacement parts specified by the manufacturer or which have the same characteristics as the original parts. Unauthorized substitutions may result in fire, electric shock, or other hazards.

Heat: The unit should be situated away from heat sources such as radiators, heat registers, stoves, or other units (including amplifiers) that produce heat.



This product complies with the Radio Equipment Directive (2014/53/EU) when used and installed according to the instruction manual.

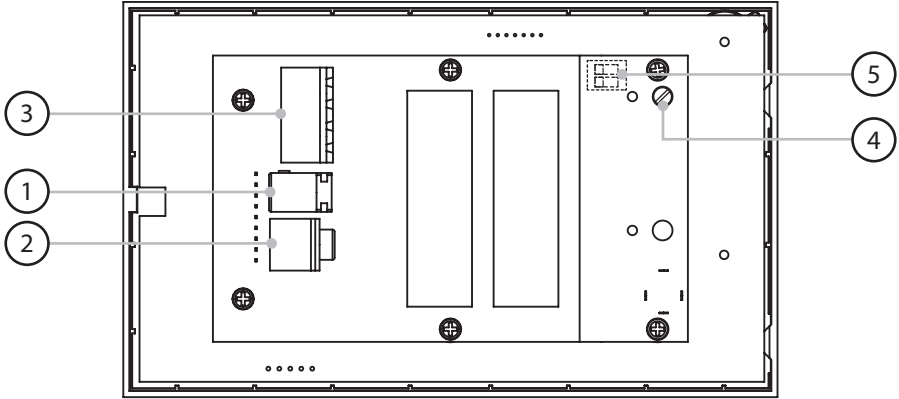
NOTE: This equipment has been tested and found to comply with the limits for a Class B digital device, pursuant to part 15 of the FCC Rules. These limits are designed to provide reasonable protection against harmful interference in a residential installation. This equipment generates, uses and can radiate radio frequency energy and, if not installed and used in accordance with the instructions, may cause harmful interference to radio communications. However, there is no guarantee that interference will not occur in a particular installation. If this equipment does cause harmful interference to radio or television reception, which can be determined by turning the equipment off and on, the user is encouraged to try to correct the interference by one or more of the following measures:

- Reorient or relocate the receiving antenna.
- Increase the separation between the equipment and receiver.
- Connect the equipment into an outlet on a circuit different from that to which the receiver is connected.
- Consult the dealer or an experienced radio/TV technician for help.

The user is cautioned that changes or modifications not expressly approved by Armour Home Electronics could void the user's authority to operate the equipment.

Contains FCC ID: OC3BM1856

Connections and Controls



E50 Rear View

Rear panel connections

1. Power input



Use ONLY the power supply provided. Failure to do so may cause irreparable damage to the unit.

DO NOT alter the length of the supplied DC extension cable

2. Analogue audio – line in

Connect an analogue audio input here using a stereo 3.5mm jack cable such as QED Performance J2J. A green LED means this input is active.

3. Speaker outputs

Use the green terminal blocks provided to attach left and right stereo speakers.

Rear panel installer controls

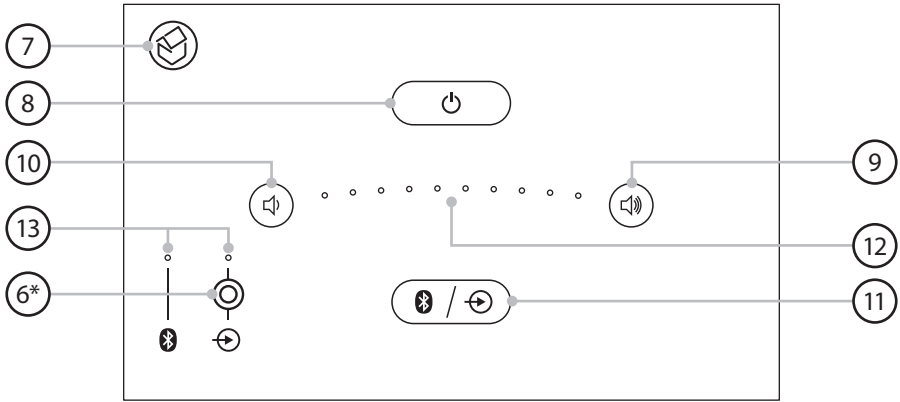
4. Max volume adjustment

See installer adjustments for details (page 11).

5. Stereo/Mono & EQ DIP switches

See installer adjustments for details (page 11).

* Not present on E50w. Both models include line in socket on rear.



E50 Front View

Front panel connections

6. Analogue audio - line in

Connect an analogue audio input here using a stereo 3.5mm jack cable such as QED Performance J2J. A green LED means this input is active.

Front panel controls

7. Standby indicator

Illuminates red to indicate the unit has entered standby.

8. Standby/on key

Touch here to toggle the unit on or off.

9. Volume up key

Touch here to increase the volume.

10. Volume down key

Touch here to decrease the volume.

11. Source key

Touch here to toggle between *Bluetooth* and line-in sources.

12. Volume position array

Provides a visual indication of current volume setting. A single pulsing LED means mute. Auto dims after 10s. Touch here to toggle play/pause when in *Bluetooth* mode.

13. Indicator LEDs

Blue = *Bluetooth*, Green = Analogue In

Operating Instructions

Pairing/connecting a *Bluetooth* music source

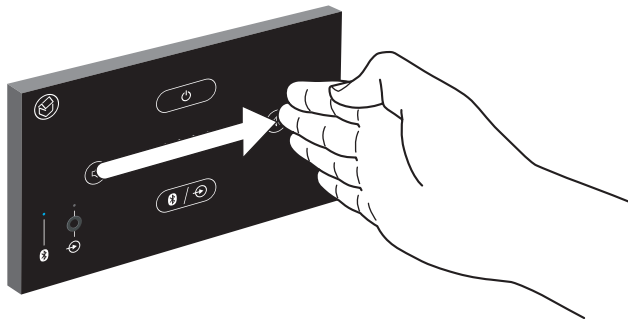
1. The E50 is always in pairing mode. Navigate to the *Bluetooth* devices list on your phone or other *Bluetooth* transmitter device. Select *Systemline E50(_n)* from the device list. If the phone has not previously been paired a *Bluetooth pairing request* will be displayed on the phone. On the E50 the blue LED will flash.
2. Press and hold the *source* key on the E50 until the blue LED stops flashing.
3. Press *pair* on the phone. The unit will now pair and connect. The E50 will wake up, the blue LED will be illuminated and the default volume level will be displayed.
4. If the phone has previously been paired it will connect straight away, without the need for steps 2 and 3.

Listening to a *Bluetooth* music source

1. If not already done, pair or connect with the *Bluetooth* device (see above).
2. Navigate to the media player on your phone or other *Bluetooth* transmitter device and press *play*. The *Bluetooth* source will be selected and music will play through the E50.
3. Check that the blue source LED is illuminated, if not press the *source* key on the E50. The LED will turn from green to blue and the default volume level will be displayed.

To skip track forwards in *Bluetooth* mode

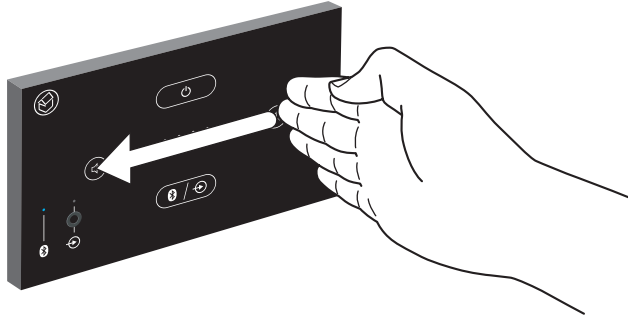
1. Use your four outstretched finger tips to flick from left of the *volume down* key to right of the *volume up* key in a single consistent sweeping motion from left to right at a distance of up to 70mm from the front panel. Do not actually touch the front panel. The track will skip forward.



Skip track forwards using hand gesture

To skip track back in *Bluetooth* mode

1. Use your four outstretched finger tips to flick from right of the *volume up* key to left of the *volume down* key in a single consistent sweeping motion from right to left at a distance of up to 70mm from the front panel. Do not actually touch the front panel. The track will skip back.



Skip track back using hand gesture

To pause/play in *Bluetooth* mode

1. Touch the centre of the touch panel where the volume LEDs are positioned to pause playback while in *Bluetooth* mode.
2. Touch the centre of the touch panel again to resume playback.

Listening to an analogue music source

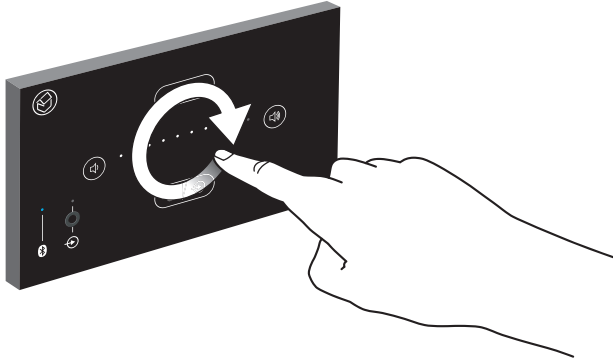
1. Make sure that a compatible analogue music source is connected to either the front or rear input jack (not both) using a 3.5mm stereo audio jack cable.

Do not connect audio sources to the front and rear line inputs at the same time.

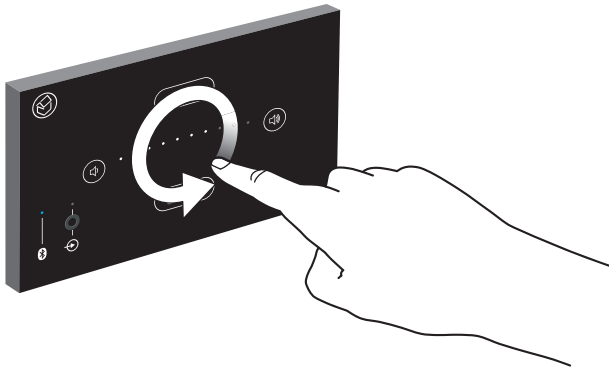
2. Check that the green *source* LED is illuminated. If not, press the *source* key. The green LED will be illuminated and the default turn on volume level will be indicated.

To adjust the volume

1. Touch the *volume up* key to increase the level of the music, and touch the *volume down* key to reduce it.
2. The same functionality can be achieved using a convenient gesture control.
3. Use your index finger to describe a circular pattern within the confines of the four touch key symbols at a distance of up to 70mm from the front panel. Do not actually touch the front panel. A clockwise rotation will increase the volume level and an anti-clockwise rotation will decrease the volume level.



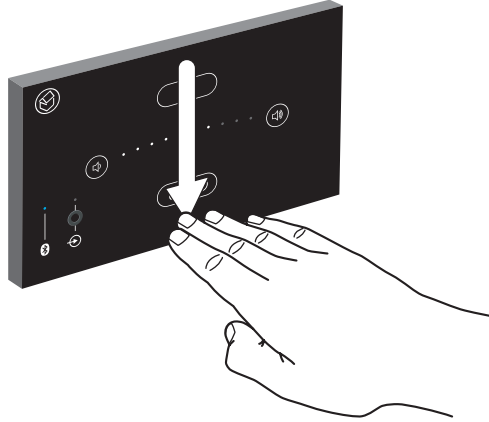
Increase volume using hand gesture



Decrease volume using hand gesture

To mute the volume

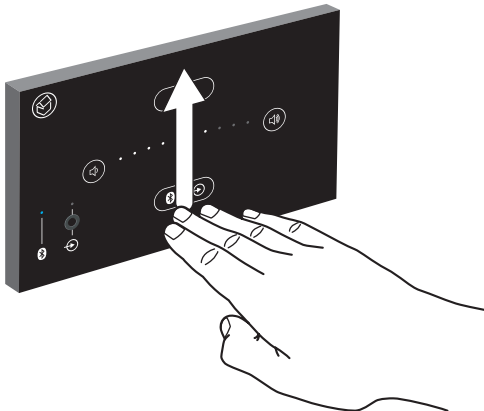
1. Use your four outstretched finger tips to flick from above the *standby* key to below the *source* key in a single consistent sweeping motion from top to bottom at a distance of up to 70mm from the front panel. Do not actually touch the front panel.
2. The music will mute and the white volume LED will gently pulse. In *Bluetooth* mode the music will also be paused.



Mute using hand gesture

To unmute the volume

1. Use your four outstretched finger tips to flick from below the *source* key to above the *standby* key in a single consistent sweeping motion from bottom to top at a distance of up to 70mm from the front panel. Do not actually touch the front panel.
2. The music will unmute and the volume display will return to the previous setting. In *Bluetooth* mode the music will also be unpaused.



Unmute using hand gesture

To put the E50 into standby

1. Press the *standby* key. The E50 will turn off and the red LED will illuminate. In this mode the amplifier is turned off and the *Bluetooth* connection is dropped. The E50 is still in *Bluetooth pairing mode* and will wake instantly when the *standby* key is pressed or when paired.

To put the E50 into deep standby

1. Press and hold the *standby* key until the red LED is extinguished. In this mode the amplifier and the *Bluetooth* pairing are turned off and the unit will consume only 0.5W of power.
2. When the *standby* key is pressed the unit will reboot to standby mode as above.

Installer Adjustments

Maximum volume setting

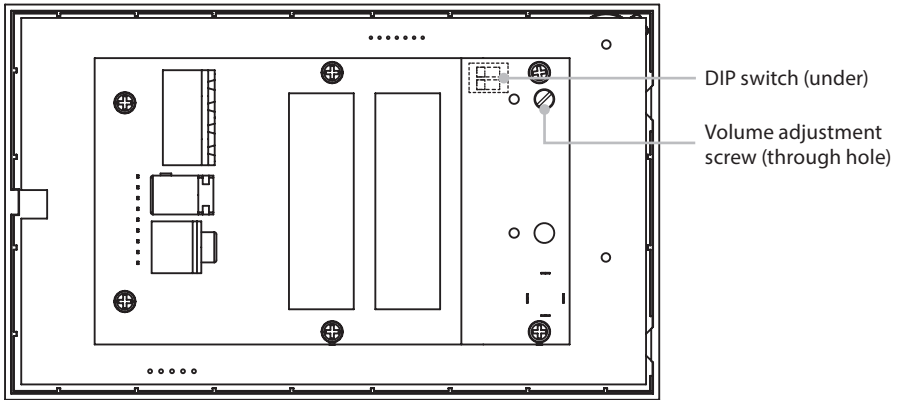
To restrict the maximum volume level of the E50, adjust the preset screw (labelled below) with a small flat blade screw driver. Turning anti-clockwise will reduce the maximum volume level and turning clockwise will increase it. The maximum output level of the speakers will be altered accordingly but the range of volume indication on the front of the unit will not be affected.

Mono/Stereo setting

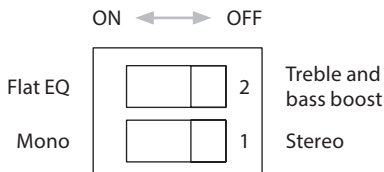
To set the amplifier output to *mono*, use a ball point pen or small screw driver to move the DIP switch #1 (labelled below) to the *ON* position. The default position for this switch is *OFF* (*stereo*).

EQ adjustment

To adjust the EQ to a flat response, use a ball point pen or small screw driver to move the DIP switch #2 to the *ON* position. The default position for this switch is *OFF* (*treble and bass boost for Qi 65CB speakers*).



Rear panel controls for installer adjustments



DIP switch detailed view

Changing the *Bluetooth* name

The E50 is shipped with the default *Bluetooth* name “*Systemline E50*”. For installations where multiple E50s are within range of the same *Bluetooth* source, each E50 can be renamed in order to distinguish one from another.

1. Make sure that the E50 is in standby mode. Press and hold the *standby* and *source* keys at the same time until the white volume LEDs are illuminated and the green source LED is flashing.

DO NOT PRESS ANY BUTTONS. WAIT 2 SECONDS.

2. Press the *source* key once. The blue source LED will flash.
3. Using the *volume up* and *down* keys on the E50 and the chart below, illuminate the corresponding number of white volume LEDs to select a new *Bluetooth* name.
4. Press the *standby* key once to set the new *Bluetooth* name.

The E50 will reboot with the new *Bluetooth* name.

Status of LEDs:

| Number of white LEDs illuminated | <i>Bluetooth</i> Name |
|----------------------------------|-----------------------|
| 1 | E50 |
| 2 | Kitchen |
| 3 | Dining |
| 4 | Living |
| 5 | Master Bed |
| 6 | Ensuite |
| 7 | Bathroom |
| 8 | Conservatory |
| 9 | Garden |
| 10 | Systemline E50_2 |

To disable gesture control

The E50 is shipped with gesture control enabled. In some installations gesture control may not be required. In order to enable/disable gesture control:

1. Make sure that the E50 is in standby mode. Press and hold the *standby* and *source* keys at the same time until the white and green LEDs are illuminated.

DO NOT PRESS ANY BUTTONS. WAIT 2 SECONDS.

2. To disable gestures press the *volume down* key to extinguish all the white LEDs.
3. To enable gestures press the *volume up* key to light all the white LEDs.
4. Press the *standby* key to save the current setting.

Troubleshooting

There is no sound

Check that the correct input is selected using the *source* key.

There is no sound when using the Bluetooth input

Check that the Bluetooth device is correctly paired (blue LED).

Make sure the Bluetooth source is playing.

There is no sound when using the analogue input

Check that the analogue source device is correctly connected (front or rear jack).

Check that the analogue source is playing and that any volume on the device is set to maximum.

Check that the Bluetooth device is not connected (green LED).

Technical Specification

| | |
|----------------------------------|------------------------|
| Power Supply | 18-19V , 2.5-3.5A DC |
| Frequency Response | 10Hz – 20kHz \pm 1dB |
| Signal to Noise Ratio | > 80dB |
| Cross-talk @ 1kHz | better than 60 dB |
| Total Harmonic Distortion | |
| @1kHz Bluetooth input | 0.1% |
| @1kHz Line input | 0.2% |
| Maximum output level | |
| Speakers | 18W/ch continuous |
| Minimum speaker impedance | 4 Ω |
| Sensitivity | |
| Analogue | 550mV rms Line in |
| Digital | 0dBFS |
| Dimensions (W x H x D) | 150 x 90 x 47mm |
| Weight | 830g |

The *Bluetooth*[®] word mark and logos are registered trademarks owned by Bluetooth SIG, Inc. and any use of such marks by Armour Home Electronics Limited is under licence. Qualcomm[®] aptX[™] is a product of Qualcomm Technologies International, Ltd. Qualcomm[®] and aptX[™] are registered trademarks of Qualcomm Incorporated, registered in the United States and other countries, used with permission. Systemline and Q Acoustics are registered trademarks of Armour Home Electronics Limited. All other product names are trademarks or registered trademarks of their respective owners.



Stortford Hall Industrial Park
Dunmow Road
Bishops Stortford
Hertfordshire
CM23 5GZ
United Kingdom

www.systemline.co.uk



©2017 Armour Home Electronics, all rights reserved.
Our policy is one of continuous improvement and we reserve the right to
change the designs and specifications without notice.
All information is given in good faith. The manufacturer accepts no
responsibility for errors, omissions or incorrect assumptions.

Designed and engineered in the United Kingdom. Made in China (P.R.C.)

Q15968-IS_r8