



## e-audio 4 Inch Full Range 80W Dual Cone Mini Box Speakers

8405A



### Login for price

High quality 4 dual cone, full range mini box speaker from the e-audio range. This 80W Speaker has a heavy duty ABS construction and quick connect speaker terminals. Priced and sold per pair.

4 Inch Full Range Mini Box Speaker System  
Dual Cone Full Range Speakers  
12oz Shielded Magnet  
Heavy Duty ABS Construction  
Quick Connect Speaker Terminals  
Priced and Sold as a Pair



1 Full Size



1 Full Size



1 Full Size



1 Full Size

### Product Variations

Click the Product Code to view the product page.

| Product | Product Code | Colour | Add to cart                     |
|---------|--------------|--------|---------------------------------|
|         | 8405A        | White  | <a href="#">Login for Price</a> |
|         | 8405A        | Black  | <a href="#">Login for Price</a> |

#### Full Product Description

A pair of high quality 4 inch dual cone mini speakers. Ideal for use in the ceiling. These 80W speakers boasts a robust ABS construction and have quick-connect terminals. Sold in pairs.

#### Retail Information

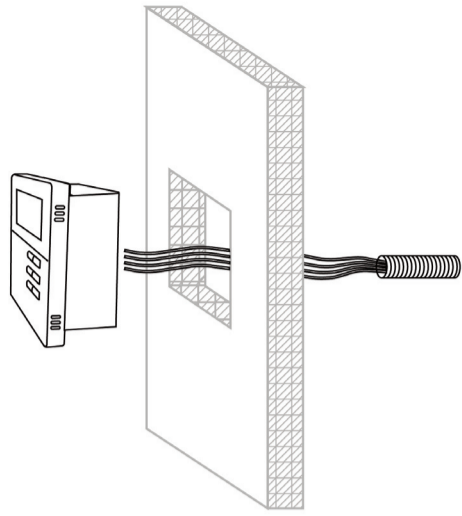
|                         | 8405A       | 8405A       |
|-------------------------|-------------|-------------|
| Colour                  | White       | Black       |
| Frequency Response (Hz) | 60-20000    | 60-20000    |
| Impedance (Ohms)        | 8           | 8           |
| Peak Music Power (W)    | 80          | 80          |
| Power RMS (W)           | 40          | 40          |
| Sensitivity (dB/1Pa)    | 90          | 90          |
| Type                    | Dual Cone   | Dual Cone   |
| Product Dimensions (mm) | 120x120x132 | 120x120x132 |
| Net weight (kg)         | 2.01        | 2.01        |

#### Trade Information

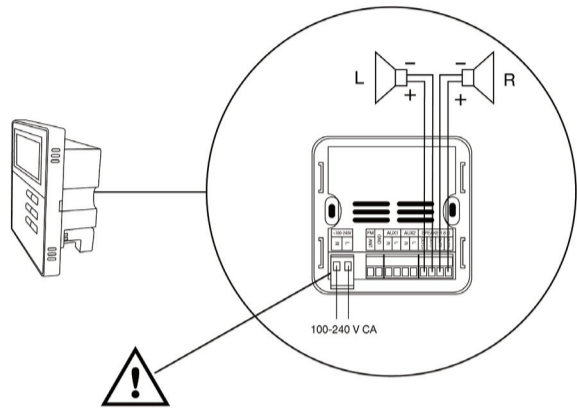
|                                 | 8405A         | 8405A         |
|---------------------------------|---------------|---------------|
| Paper weight (kg)               | 0.05          | 0.05          |
| Pack weight (kg)                | 0.05          | 0.05          |
| Amazon ASIN                     | B00G26HVR6    | B0048P54C0    |
| Packaged dimensions (HxWxD, mm) | 135x245x135   | 135x245x135   |
| Product EAN                     | 5021195549076 | 5021195549083 |
| Display Footprint (mm)          | 135x245x135   | 135x245x135   |
| Transport dimensions (mm)       | 245x135x135   | 245x135x135   |
| Gross Weight (Packaged) (kg)    | 2.31          | 2.31          |
| Packaging                       | Retail Box    | Retail Box    |
| Item price per                  | 2             | 2             |
| Inner box quantity              | 0             | 0             |
| Outer box (HxWxD, mm)           | 290x260x65    | 290x260x65    |
| Outer box quantity              | 5             | 5             |
| Gross weight outer carton (kg)  | 16.72         | 16.72         |

You may also be interested in...

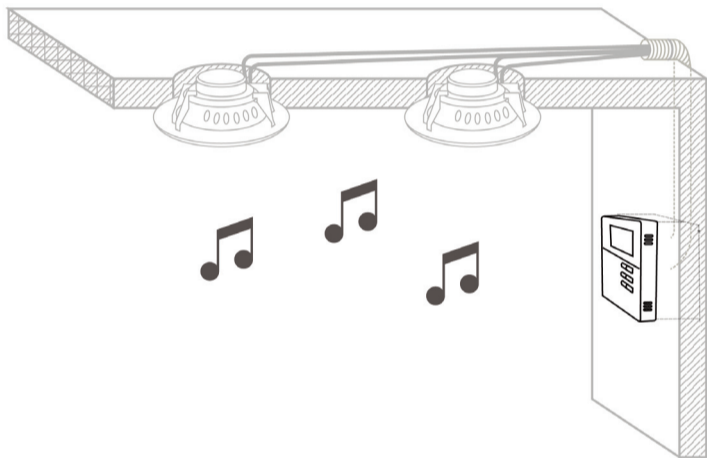
1



2



3



For more information, please visit our website at web [www.fonestar.com](http://www.fonestar.com)  
 Para más información, visite nuestra web [www.fonestar.com](http://www.fonestar.com)  
 Pour plus d'information, visitez notre page web [www.fonestar.com](http://www.fonestar.com)  
 Para mais informações, consulte a nossa página web [www.fonestar.com](http://www.fonestar.com)

**EN**  
**SIMPLIFIED EU DECLARATION OF CONFORMITY**  
 FONESTAR SISTEMAS S.A. hereby declares that the amplifier WA-66R is in compliance with the Directive 2014/53/EU.  
 The complete text of the EU Declaration of Conformity is available at the following internet address:  
[fonestar.com/ES/WA-66R](http://fonestar.com/ES/WA-66R)

**ES**  
**DECLARACIÓN UE DE CONFORMIDAD SIMPLIFICADA**  
 Por la presente, FONESTAR SISTEMAS S.A. declara que el amplificador WA-66R es conforme con la Directiva 2014/53/EU.  
 El texto completo de la declaración UE de conformidad está disponible en la dirección Internet siguiente:  
[fonestar.com/ES/WA-66R](http://fonestar.com/ES/WA-66R)

**FR**  
**DÉCLARATION UE DE CONFORMITÉ SIMPLIFIÉE**  
 FONESTAR SISTEMAS S.A. déclare que le amplificateur WA-66R est conforme à la Directive 2014/53/EU.  
 Le texte complet de la déclaration UE de conformité se trouve disponible sur le site Internet suivant:  
[fonestar.com/ES/WA-66R](http://fonestar.com/ES/WA-66R)

**PT**  
**DECLARAÇÃO UE DE CONFORMIDADE SIMPLIFICADA**  
 A abaixo assinada, FONESTAR SISTEMAS S.A. declara que o amplificador WA-66R está em conformidade com a Diretiva 2014/53/EU.  
 O texto integral da declaração de conformidade está disponível no seguinte endereço de Internet:  
[fonestar.com/ES/WA-66R](http://fonestar.com/ES/WA-66R)

# WA-66R

WALL AMPLIFIER BT/USB/MicroSD/FM  
 AMPLIFICADOR DE PARED BT/USB/MicroSD/FM  
 AMPLIFICATEUR MURAL BT/USB/MicroSD/FM  
 AMPLIFICADOR DE PAREDE BT/USB/MicroSD/FM



QUICK START GUIDE/GUÍA RÁPIDA/  
 GUIDE DE DÉMARRAGE RAPIDE/GUIA RÁPIDO

## FONESTAR

### DESCRIPTION/DESCRIPCIÓN/DESCRIPTION/DESCRIÇÃO

- EN**
- POWER: 2 x 10 W RMS
  - Bluetooth 2.1 EDR receiver
  - USB/MicroSD/MP3 file player
  - FM radio with 30 automatic presets

- ES**
- POTENCIA: 2 x 10 W RMS
  - Receptor bluetooth 2.1 EDR
  - Reproductor USB/MicroSD/MP3
  - Radio FM con 30 presintonías automáticas

- FR**
- PUISSANCE: 2 x 10 W RMS
  - Récepteur bluetooth 2.1 EDR
  - Reproducteur USB/MicroSD de fichiers MP3
  - Radio FM avec 30 pré-syntonies automatiques

- PT**
- POTÊNCIA: 2 x 10 W RMS
  - Recetor bluetooth 2.1 EDR
  - Leitor USB/MicroSD de ficheiros MP3
  - Sintonizador digital de rádio FM

